



KT-LED8RD-4C-9CSF-DIM

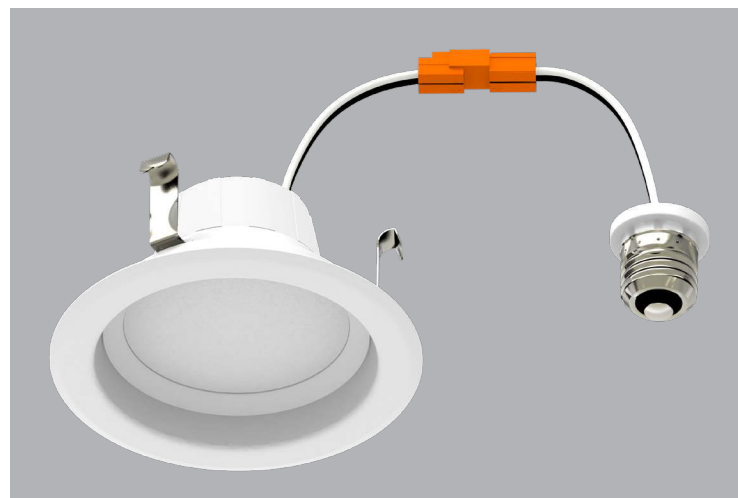
4" DOWNLIGHT RETROFIT TRIM

DESCRIPTION

4" Downlight Retrofit Trim | Color Select Technology | Quick-Disconnect E26 Base

APPLICATION

Ideal for residential, hospitality, retail, and other retrofit and new construction applications



PRODUCT FEATURES

- Keystone Color Select technology offers SKU reduction and allows for easy, on-the-job adjustments: (2700/3000/3500/4000/5000K)
- Includes quick-disconnect E26 base adaptor for easy install in retrofit applications
- Offers improved aesthetics vs. screw-in lamps while using the same easy, screw-in installation
- Ideal for retrofit, new construction, and remodel applications
- Suitable for a wide range of existing recessed can fixtures
- Smooth reflector trim offers clean, modern appearance
- Diffused lens reduces glare
- Interchangeable trims available in matte black, brushed nickel, and bronze
- Powered by Keystone TRIAC dimming LED driver; 10–100% dimming
- Ambient operating temperature: –20°C/–4°F to 40°C/104°F
- Suitable for use in wet locations
- Power factor: >0.90
- THD: <20%
- FCC Part 15, Subpart B, Class B
- CEC Compliant Flicker Rate (CEC JA10 std.)
- Compliant with ENERGY STAR Downlights v1.0 requirements

PERFORMANCE SPECIFICATIONS

| Catalog Number | Input Voltage | Wattage | CCT (Selectable)* | Lumen Output | Efficacy | CRI | Power Factor | Beam Angle | Lifetime |
|-----------------------|---------------|---------|-------------------|--------------|----------|-----|--------------|------------|------------|
| KT-LED8RD-4C-9CSF-DIM | 120V | 8W | 2700K | 710 | 89 lm/W | >90 | >0.9 | 95° | 50,000 hrs |
| | | | 3000K | 720 | 90 lm/W | | | | |
| | | | 3500K | 730 | 91 lm/W | | | | |
| | | | 4000K | 730 | 91 lm/W | | | | |
| | | | 5000K | 720 | 90 lm/W | | | | |

* Preset to lowest CCT: 2700K

Color Uniformity: CCT (Correlated Color Temperature) range as per guidelines outlined in ANSI C78.377-2017

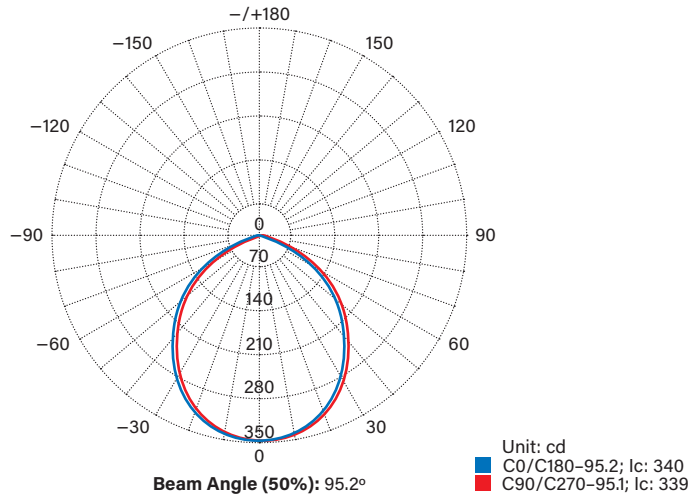


KT-LED8RD-4C-9CSF-DIM

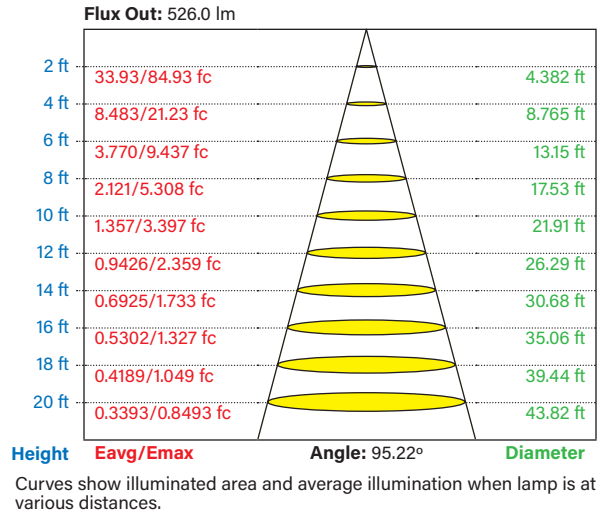
4" DOWNLIGHT RETROFIT TRIM

PHOTOMETRIC SPECIFICATIONS

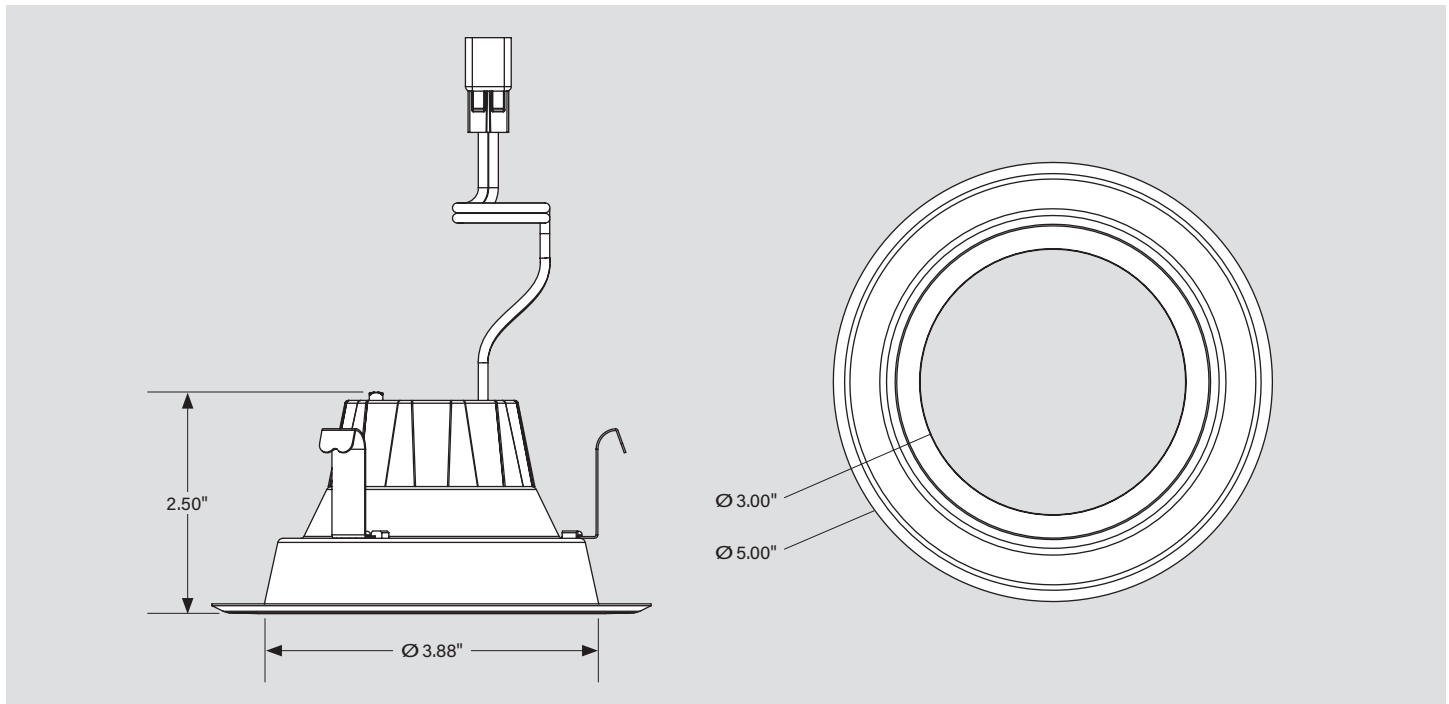
POLAR CANDELA DISTRIBUTION



LUX DISTANCE CURVE



PHYSICAL SPECIFICATIONS





KT-LED8RD-4C-9CSF-DIM 4" DOWNLIGHT RETROFIT TRIM

COLOR SELECT (CCT) ADJUSTMENT

This fixture is equipped with field-adjustable Keystone Color Select technology.

1. Ensure power is off to the fixture.
2. Adjust dip switch to desired setting.

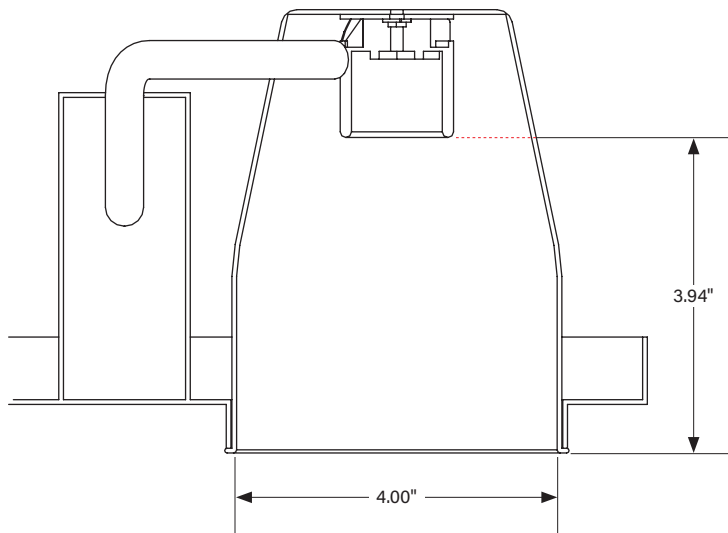


COLOR SELECT ADJUSTMENT SWITCH

Set dip switch to adjust CCT between 2700K, 3000K, 3500K, 4000K, and 5000K. Fixture comes preset at 2700K.

INSTALLATION INSTRUCTIONS

The existing luminaire housing must be equal to or larger than over-all inner dimensions illustrated below.



(Installation Instructions continued on next page)

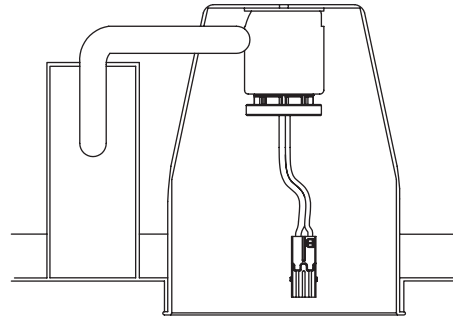
KT-LED8RD-4C-9CSF-DIM 4" DOWNLIGHT RETROFIT TRIM

INSTALLATION INSTRUCTIONS (continued)

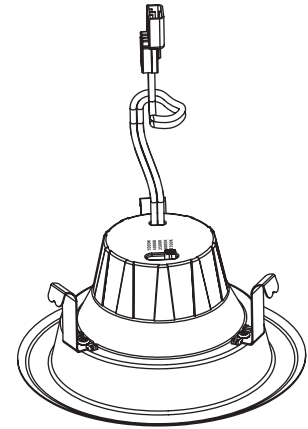
- 1. Shut off power at the source of the recessed housing into which you are installing fixture.** Remove existing trim and CFL or incandescent bulb.

Note: Follow all federal and local regulations when disposing of lamps and removed components.

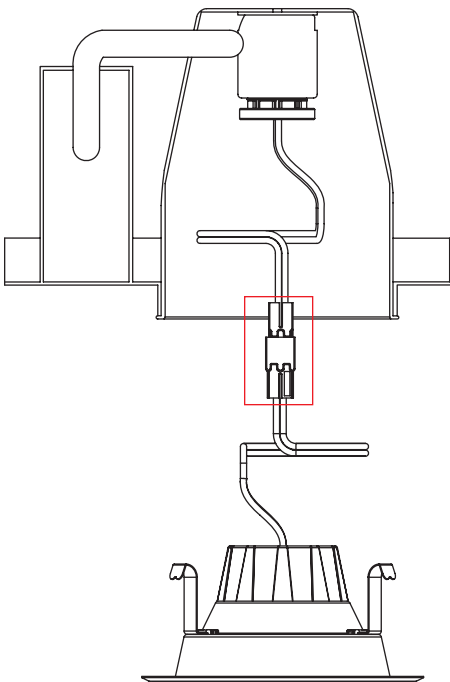
- 2. Screw the E26 adaptor into the socket inside the housing.**



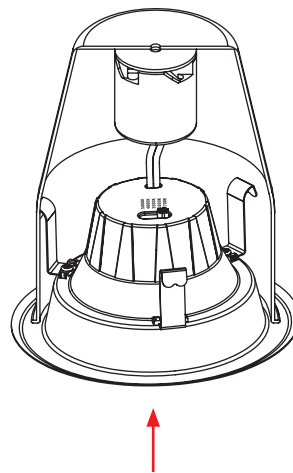
- 3. Select desired CCT using adjustment switch on driver box (see *Color Select (CCT) Adjustment* on page 3).**



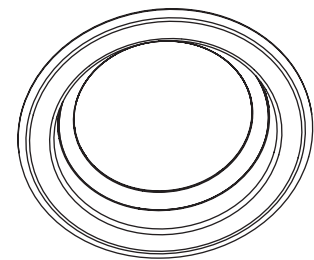
- 4. Plug E26 base cable connection into the recessed housing.**



- 5. Carefully route wires into fixture, sliding the trim and friction clips into the housing.**



- 6. Push the LED trim into the ceiling until trim is flush with ceiling. Restore power to the fixture.**





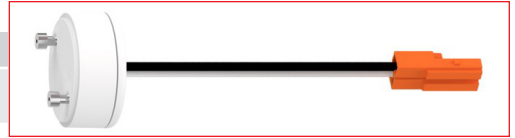
KT-LED8RD-4C-9CSF-DIM

4" DOWNLIGHT RETROFIT TRIM

OPTIONAL ACCESSORIES (sold separately)

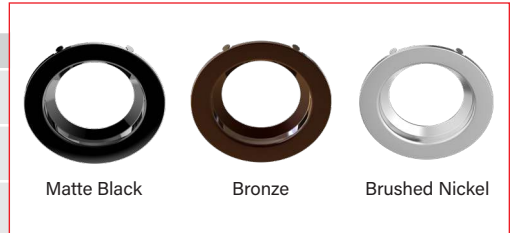
GU24 ADAPTOR

| Catalog Number | Description | UPC | Easy Code |
|-----------------|--|--------------|-----------|
| KT-ADPT-RD-GU24 | GU24 Adaptor for downlight retrofit trim | 843654137568 | WTQ-04 |



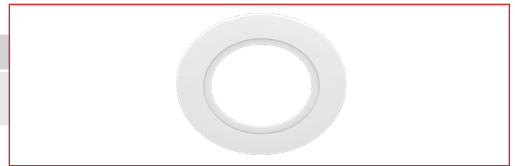
INTERCHANGEABLE TRIM

| Catalog Number | Description | UPC | Easy Code |
|------------------|---|--------------|-----------|
| KT-TRIM-RD-4C-MB | 4" Interchangeable trim for 4" circular downlight retrofit trim; Matte black | 843654137575 | WXP-47 |
| KT-TRIM-RD-4C-BR | 4" Interchangeable trim for 4" circular downlight retrofit trim; Bronze | 843654137599 | NWK-94 |
| KT-TRIM-RD-4C-BN | 4" Interchangeable trim for 4" circular downlight retrofit trim; Brushed nickel | 843654137612 | UTA-46 |



GOOF RING

| Catalog Number | Description | UPC | Easy Code |
|----------------|---|--------------|-----------|
| KT-GOOF-RD-4C | 4" Goof ring for 4" circular downlight retrofit trim; 6.7" diameter | 843654137636 | CSA-39 |



ORDERING INFORMATION

| Catalog Number | Pack Qty. | UPC | Easy Code | Energy Star ID |
|-----------------------|-----------|--------------|-----------|----------------|
| KT-LED8RD-4C-9CSF-DIM | 1 | 843654137407 | ZMC-49 | 3555648 |

CATALOG NUMBER BREAKDOWN

KT-LED8RD-4C-9CSF-DIM

1 2 3 4 5 6 7 8 9 10

- 1 Keystone Technologies
 - 2 LED Technology
 - 3 Wattage
 - 4 Fixture Type
 - 5 Nominal Size
 - 6 Shape
 - 7 CRI
 - 8 Color Select
 - 9 Color Select Designation
 - 10 TRIAC Dimming
- | | | | | | | | |
|-----------------------------------|---------------------------|---|------------|---|----------|---|----|
| RD | Recessed Downlight | 4 | 4" Nominal | C | Circular | 9 | 90 |
| 9 Color Select Designation | | | | | | | |
| F | 2700/3000/3500/4000/5000K | | | | | | |