



KTEB-242-UV-PS-DW

COMPACT FLUORESCENT ELECTRONIC BALLAST

DESCRIPTION

2 x 42W CFL | 120-277V Input | High Power Factor | Program Start



STARTING METHOD: Program Start

LAMP CONNECTION: Series

INPUT VOLTAGE: 120V-277 ±10%

INPUT FREQUENCY: 60 Hz

POWER FACTOR: High

WARRANTY: 5 Years



PRODUCT FEATURES

- Sound Rated: A
- Maximum Starting Temperature: 0°F, -18°C
- Maximum Case Temperature: 194°F, 90°C
- Meets FCC Part 18 (Class B) Consumer Limits
- Transient Protection Meets ANSI/IEEE62.41 Cat. A
- Ballast Frequency for All Listed Lamps: >40KHz
- Lamp End-of-Life Protected

ELECTRICAL SPECIFICATIONS

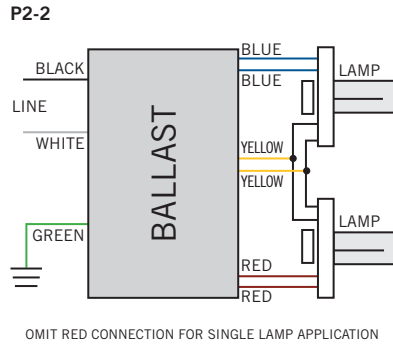
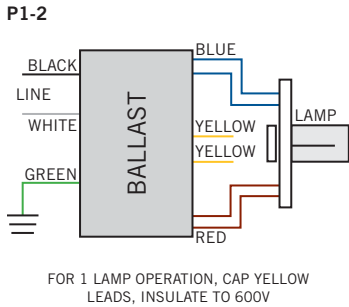
Lamp Type	No. of Lamps	Input Volts	Input Watts	Input Current	Power Factor	Crest Factor	Ballast Factor	Ballast Efficacy Factor	Max. THD	Wiring Diagram
CFTR421/GX24q	2	120V	94W	0.77A	0.99	<1.70	1.00	1.14	10%	P2-2
		277V	93W	0.38A	0.98	<1.70	1.00	1.08	10%	P2-2
	1	120V	47W	0.40A	0.99	<1.70	1.00	2.13	10%	P1-2
		277V	47W	0.18A	0.96	<1.70	1.00	2.13	10%	P1-2
CFTR321/GX24q	2	120V	69W	0.56A	0.99	<1.70	0.90	1.30	10%	P2-2
		277V	69W	0.25A	0.96	<1.70	0.90	1.30	12%	P2-2
	1	120V	42W	0.35A	0.99	<1.70	0.96	2.29	10%	P1-2
		277V	42W	0.13A	0.96	<1.70	0.96	2.29	12%	P1-2
CFQ26W/G24q CFTR26W/GX24q	2	120V	54W	0.45A	0.99	<1.70	0.90	1.67	10%	P2-2
		277V	54W	0.21A	0.97	<1.70	0.90	1.67	12%	P2-2
	1	120V	32W	0.27A	0.99	<1.70	1.00	3.12	10%	P1-2
		277V	32W	0.13A	0.95	<1.70	1.00	3.12	12%	P1-2
FT39W/2G11	2	120V	82W	0.69A	0.99	<1.70	0.95	1.16	10%	P2-2
		277V	82W	0.30A	0.98	<1.70	0.95	1.16	10%	P2-2
	1	120V	45W	0.37A	0.99	<1.70	1.00	2.22	10%	P1-2
		277V	45W	0.17A	0.96	<1.70	1.00	2.22	12%	P1-2
FC9T5 22W	2	120V	59W	0.49A	0.99	<1.70	1.10	1.86	10%	P2-2
		277V	59W	0.22A	0.97	<1.70	1.10	1.86	10%	P2-2
CTR57W/GX24q	1	120V	50W	0.42A	0.99	<1.70	0.80	1.60	10%	P1-2
		277V	50W	0.19A	0.97	<1.70	0.80	1.60	10%	P1-2
FT40W/2G11	2	120V	82W	0.69A	0.99	<1.70	0.95	1.16	10%	P2-2
		277V	82W	0.30A	0.98	<1.70	0.95	1.16	10%	P2-2
	1	120V	45W	0.37A	0.99	<1.70	1.00	2.22	10%	P1-2
		277V	45W	0.17A	0.96	<1.70	1.00	2.22	12%	P1-2
FT36W/2G11	2	120V	66W	0.55A	0.99	<1.70	0.80	1.21	10%	P2-2
		277V	65W	0.24A	0.98	<1.70	0.80	1.21	10%	P2-2
	1	120V	37W	0.31A	0.99	<1.70	0.88	2.38	10%	P1-2
		277V	37W	0.14A	0.95	<1.70	0.88	2.38	12%	P1-2
FT24W/2G11	2	120V	54W	0.45A	0.99	<1.70	1.00	1.85	10%	P2-2
		277V	54W	0.20A	0.97	<1.70	1.00	1.85	10%	P2-2
CFS28W/GR10q	1	120V	34W	0.29A	0.99	<1.70	1.00	2.94	10%	P1-2
		277V	34W	0.14A	0.93	<1.70	1.00	2.94	10%	P1-2
FC9T5 + FC12T5	1 + 1	120V	67W	0.55A	0.99	<1.70	0.90	1.34	10%	P2-2
		277V	67W	0.25A	0.98	<1.70	0.90	1.34	10%	P2-2



KTEB-242-UV-PS-DW

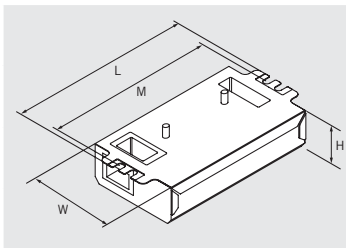
COMPACT FLUORESCENT ELECTRONIC BALLAST

WIRING DIAGRAM



MECHANICAL SPECIFICATIONS

CASE DIMENSIONS



LENGTH	5.00"
WIDTH	3.00"
HEIGHT	1.38"
MOUNTING	4.63"

STANDARD LEAD LENGTHS*

WHITE	10"
BLACK	10"
RED	10"
BLUE	10"

Lead wires are 18 AWG
105°C/600V, solid copper.

CASE MATERIAL: Metal

*Consult Keystone for special lead length requirements.

ORDERING INFORMATION

ORDER CODE	PACKAGING STYLE	PACK QTY.	ITEM STATUS
KTEB-242-UV-PS-DW-CP	Carton Pack	30	Quick Ship

CATALOG NUMBER BREAKDOWN

KTEB-242-UV-PS-DW-CP

