



# ESSENTIAL SERIES

## GENERAL PURPOSE LED BULBS

### KT-LED10PAR30S-F-8XX / G2

#### 75W REPLACEMENT LAMP

#### DESCRIPTION

10W PAR30 Lamp | 2700–5000K | > 80 CRI | Standard Short Neck Flood



**LAMP TYPE:** PAR30

**BASE TYPE:** E26 (Medium)

**WATTAGE:** 10W

**COLOR TEMPERATURE:** 2700–5000K

**COLOR RENDERING INDEX (CRI):** > 80

**WARRANTY:** 3 Years

**RATED LIFE:** L70 (25,000 Hours)

#### TYPICAL APPLICATIONS

- Track-lighting
- Display
- Flood- and spot-lighting
- Outdoor fixtures (with suitable protection from the elements)

#### PRODUCT FEATURES

- 80%+ energy savings and less heat generation vs legacy equivalents
- 25,000 hr lifetime means fewer replacements and lower maintenance cost
- Precision crafted optics for beam angle control
- Durable plastic housing for lower risk of breakage
- ANSI compliant construction ensures fit for intended applications
- UL & Energy Star listed
- Suitable for use in enclosed, recessed fixtures
- Suitable for dry, damp, and wet locations
- Suitable for use with dimmers
- PF > 0.90
- Operating temperature range: 4°F/–20°C to 95°F/35°C
- Complies with FCC Part 15

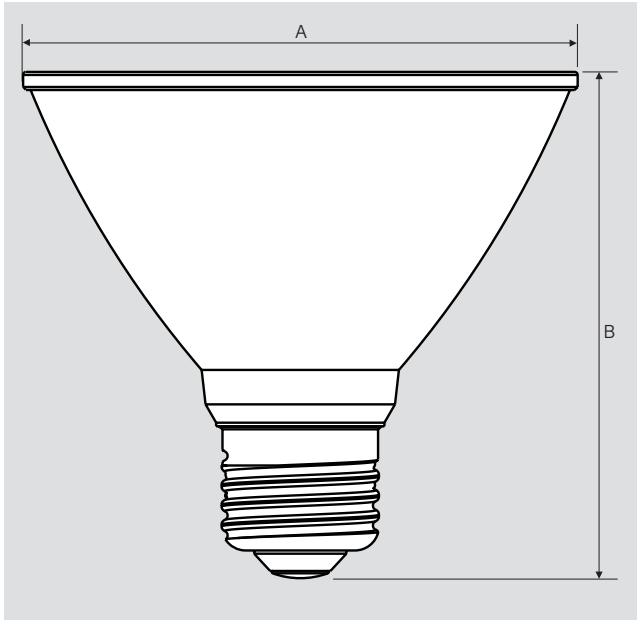
#### ELECTRICAL AND PERFORMANCE SPECIFICATIONS

Keystone Catalog Number	Base Type	Input Voltage	Rated Lamp Wattage	Legacy Equivalent Wattage	Lumens	Efficacy	CRI	Beam Angle	Dimmable	Color Temp
KT-LED10PAR30S-F-827 /G2	E26	120V	10W	75W halogen	950	95 lm/W	>80	40°	Yes	2700K
KT-LED10PAR30S-F-830 /G2	E26	120V	10W	75W halogen	950	95 lm/W	>80	40°	Yes	3000K
KT-LED10PAR30S-F-840 /G2	E26	120V	10W	75W halogen	950	95 lm/W	>80	40°	Yes	4000K
KT-LED10PAR30S-F-850 /G2	E26	120V	10W	75W halogen	950	95 lm/W	>80	40°	Yes	5000K

## KT-LED10PAR30S-F-8XX /G2

75W REPLACEMENT LAMP

### PHYSICAL SPECIFICATIONS



### LAMP DIMENSIONS

A (Diameter)	3.78"
B (Length)	3.43"

BASE TYPE: E26 (Medium)

### PACKAGING

Carton Quantity	48 pcs
Carton Dimensions	18.50" x 13.46" x 10.32"

### ORDERING INFORMATION

CATALOG NUMBER	UPC	EASY CODE	ENERGY STAR UNIQUE ID
KT-LED10PAR30S-F-827 /G2	843654150932	CRC-07	2838216
KT-LED10PAR30S-F-830 /G2	843654150949	AGQ-89	2838235
KT-LED10PAR30S-F-840 /G2	843654150956	JHC-37	2838250
KT-LED10PAR30S-F-850 /G2	843654150963	JGN-20	2838264

### CATALOG NUMBER BREAKDOWN

## KT-LED10PAR30S-F-8XX /G2

1 2 3 4 5 6 7 8 9

- 1 Keystone Technologies
- 2 LED Lamp
- 3 Wattage
- 4 Lamp Shape
- 5 Short-Neck
- 6 Standard Flood
- 7 80 CRI
- 8 Color Temperature
- 9 Second Generation