



EXTERNAL DRIVE LED
TYPE C LED TUBES



KT-LED11.5T8-48G-8CSJ-E

T8 LED LAMP

DESCRIPTION

T8 LED | 11.5W | 120-277Vac Input | 4' Length | Color Select | Type C
>82 CRI | 0-10V Dimming | G13 (Medium Bi-Pin)



10 YEAR
LIMITED WARRANTY



PRODUCT FEATURES

- Keystone Power Select technology (see *Performance Specifications* for details)
- Keystone Color Select technology (3000/3500/4000/5000/6500K)
- Compatible with Keystone external drive LED drivers
- Bi-Level Dimming:
 - Toggle Between Partial & Full Brightness using Wall Switch
- Replacement for conventional fluorescent lamps
- 70,000+ hour lifetime
- Type C application for custom installations and maximum efficiency
- Environmentally friendly: No mercury used
- Instant startup
- Frosted glass eliminates pixelation
- UL Classified
- Operating temperature: -20°C/-4°F to 45°C/113°F
- Humidity: 10-90%
- 0-10V Dimming
- Power Factor >0.9
- 12V Aux Output, 100mA Max. Current

PERFORMANCE SPECIFICATIONS

BARE LAMP

Lumens	Wattage	Efficacy	CRI
1,900	11.5W	165 lm/W	>82

SYSTEM - 100% POWER

Lamp Configuration	System Total Power	CCT	System Total Lumens	System Efficacy	System Per Lamp Lumens	System Per Lamp Power	Type C Driver
1-Lamp	13.4W	3000K	1,795	134 lm/W	1,795	13.4W	KTLD-2LT8-UV-PS15C-BL-VDIM
		3500K	1,900	142 lm/W	1,900	13.4W	
		4000K	1,900	139 lm/W	1,900	13.4W	
		5000K	1,900	139 lm/W	1,900	13.4W	
		6500K	1,860	139 lm/W	1,860	13.4W	
2-Lamp	26.4W	3000K	3,590	136 lm/W	1,795	13.2W	
		3500K	3,800	144 lm/W	1,900	13.2W	
		4000K	3,800	144 lm/W	1,900	13.2W	
		5000K	3,800	144 lm/W	1,900	13.2W	
		6500K	3,720	141 lm/W	1,860	13.2W	
3-Lamp	39.3W	3000K	5,385	137 lm/W	1,795	13.1W	KTLD-4LT8-UV-PS15C-BL-VDIM
		3500K	5,700	145 lm/W	1,900	13.1W	
		4000K	5,700	145 lm/W	1,900	13.1W	
		5000K	5,700	145 lm/W	1,900	13.1W	
		6500K	5,580	142 lm/W	1,860	13.1W	
4-Lamp	52.0W	3000K	7,180	138 lm/W	1,795	13.0W	
		3500K	7,600	146 lm/W	1,900	13.0W	
		4000K	7,600	146 lm/W	1,900	13.0W	
		5000K	7,600	146 lm/W	1,900	13.0W	
		6500K	7,440	143 lm/W	1,860	13.0W	

(Performance Specifications continued on next page)



KT-LED11.5T8-48G-8CSJ-E

T8 LED LAMP

PERFORMANCE SPECIFICATIONS (continued)

11.5W LAMP SYSTEM

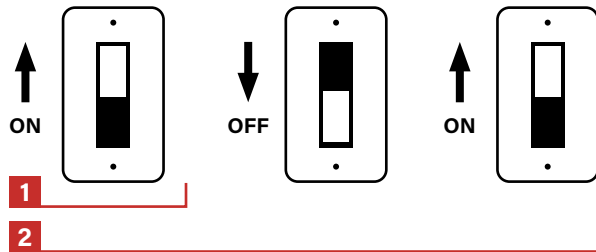
System Wattage	1-Lamp			2-Lamp			3-Lamp			4-Lamp		
	300mA	240mA	180mA	300mA	240mA	180mA	300mA	240mA	180mA	300mA	240mA	180mA
100%	13.4W	10.7W	8.0W	26.4W	21.1W	15.8W	39.3W	31.4W	23.6W	52.0W	41.6W	31.2W
70%	9.4W	7.5W	5.6W	18.5W	14.8W	11.1W	27.5W	22.0W	16.5W	36.4W	29.1W	21.8W
50%	6.7W	5.4W	4.0W	13.2W	10.6W	7.9W	19.7W	15.7W	11.8W	26.0W	20.8W	15.6W
System Lumens	1-Lamp			2-Lamp			3-Lamp			4-Lamp		
	300mA	240mA	180mA	300mA	240mA	180mA	300mA	240mA	180mA	300mA	240mA	180mA
100%	1,900	1,470	1,080	3,800	3,045	2,280	5,700	4,510	3,355	7,600	6,025	4,540
70%	1,275	1,000	715	2,655	2,120	1,555	3,945	3,135	2,295	5,280	4,225	3,120
50%	880	675	470	1,875	1,470	1,050	2,780	2,185	1,580	3,780	2,985	2,170
System Efficacy	1-Lamp			2-Lamp			3-Lamp			4-Lamp		
	300mA	240mA	180mA	300mA	240mA	180mA	300mA	240mA	180mA	300mA	240mA	180mA
100%	142 lm/W	137 lm/W	135 lm/W	144 lm/W	144 lm/W	144 lm/W	145 lm/W	144 lm/W	142 lm/W	146 lm/W	145 lm/W	145 lm/W
70%	136 lm/W	133 lm/W	127 lm/W	144 lm/W	143 lm/W	140 lm/W	143 lm/W	142 lm/W	139 lm/W	145 lm/W	145 lm/W	143 lm/W
50%	131 lm/W	126 lm/W	117 lm/W	142 lm/W	139 lm/W	133 lm/W	142 lm/W	139 lm/W	134 lm/W	145 lm/W	143 lm/W	139 lm/W

* Keystone Power Select Technology (300/240/180mA)
 * Keystone Bi-Level Dimming (100/70/50%)
 * 3000K has a 3% loss, other CCTs maintain performance

KEY FEATURES

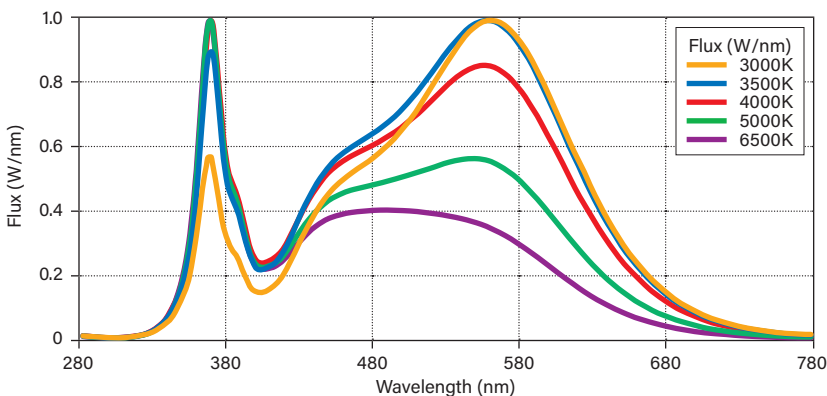
BI-LEVEL DIMMING

- MODE 1** Partial Brightness (settable to 100/70/50%)
 Flip wall switch to ON position
- MODE 2** Full Brightness (100%)
 Flip wall switch twice within 5 seconds



PHOTOMETRIC SPECIFICATIONS

SPECTRAL DISTRIBUTION



RATED LIFE

L70 (Hours) 70,000

BEAM ANGLE: 160°

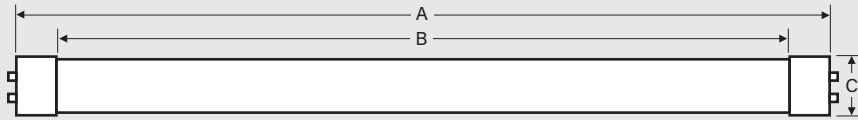


KT-LED11.5T8-48G-8CSJ-E

T8 LED LAMP

PHYSICAL SPECIFICATIONS

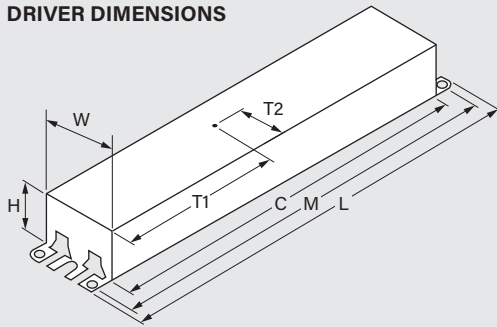
LAMP DIMENSIONS



KT-LED11.5T8-48G-8CSJ-E	
A (Body Length)	47.22"
B (Illuminated Length)	43.48"
C (Diameter)	1.10"

BASE TYPE: G13 (MEDIUM BI-PIN)

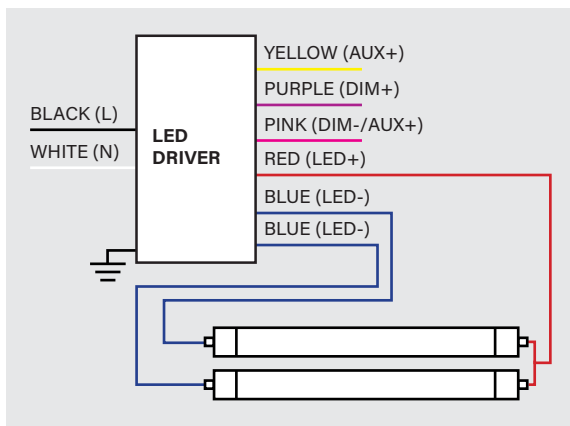
DRIVER DIMENSIONS



KTLD-XLT8-UV-PS15C-BL-VDIM	
Length (L)	11.02"
Mounting Length (M)	10.49"
Case Length (C)	9.58"
Width (W)	1.18"
Height (H)	0.87"
Tc Point (T1)	4.50"
Tc Point (T2)	0.59"

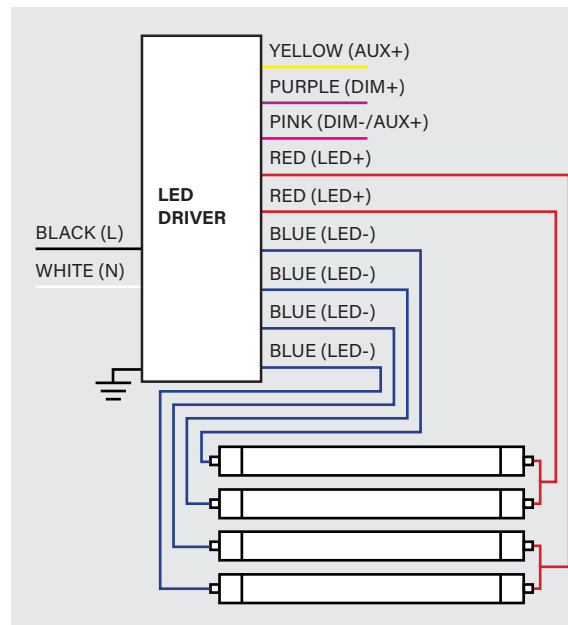
WIRING SPECIFICATIONS

KTLD-2LT8-UV-PS15C-BL-VDIM



*For 1 Lamp application, cap off 1 blue lead

KTLD-4LT8-UV-PS15C-BL-VDIM



*For 3 Lamp application, cap off 1 blue lead

STANDARD LEAD LENGTHS*

Input	Black	30.00"
	White	30.00"
Output	Red	30.00"
	Blue	30.00"
	Purple	30.00"
	Pink	30.00"
	Yellow	30.00"

Input Wires are 18 AWG
105°C / 600V

Output Wires are 20 AWG
105°C / 300V

*Consult Keystone for special lead length requirements.



KT-LED11.5T8-48G-8CSJ-E

T8 LED LAMP

ORDERING INFORMATION

Catalog Number	Carton QTY	Item Status	UPC	Easy Code
KT-LED11.5T8-48G-8CSJ-E	25	Quick Ship	843654177298	VIK-71

CATALOG NUMBER BREAKDOWN

KT-LED11.5T8-48G-8CSJ-E

1 2 3 4 5 6 7 8 9 10

- 1 Keystone Technologies
- 2 LED Lamp
- 3 Wattage
- 4 Lamp Type
- 5 Nominal Length (Inches)
- 6 Glass
- 7 80 CRI
- 8 Color Select
- 9 Color Select Designation
- 10 External Drive Series

9 COLOR SELECT DESIGNATION

J	3000/3500/4000/5000/6500K
---	---------------------------