



KTAT-375-480-277 /SF

STEP-DOWN AUTO-TRANSFORMER



DESCRIPTION

Step-Down Auto-Transformer (Non-Isolated) | 480Vac or 347Vac Input | 277Vac or 200Vac Output

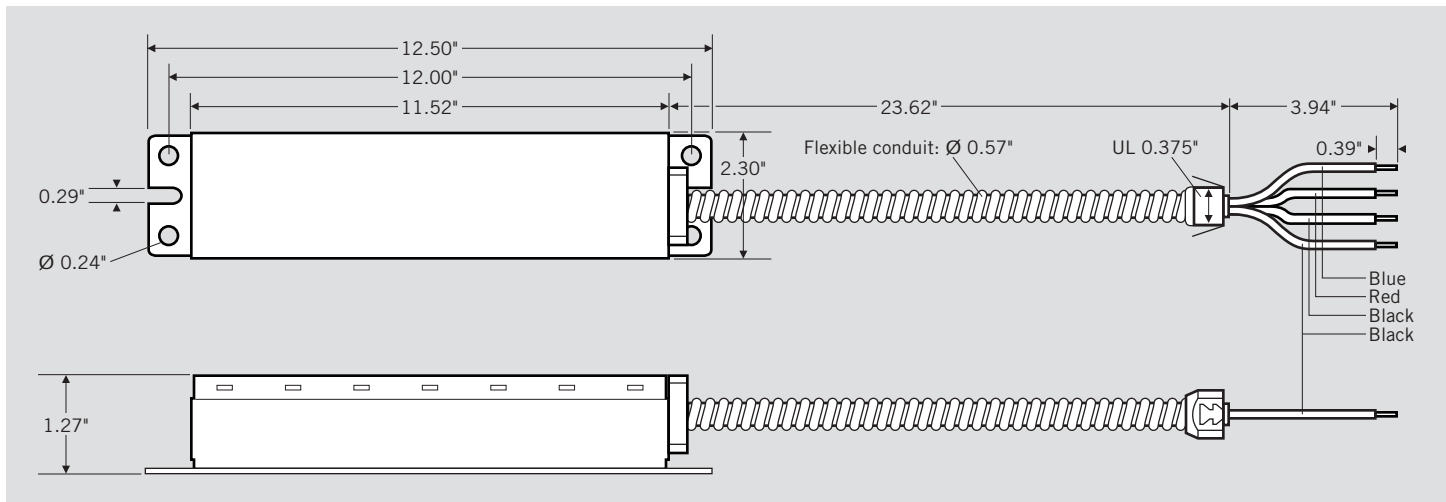
INPUT VOLTAGE: 480Vac ±10% / 347Vac ±10%
OUTPUT VOLTAGE: 277Vac @ 480Vac / 200Vac @ 347Vac
MAXIMUM POWER: 375VA @ 480Vac / 270VA @ 347Vac
NUMBER OF OUTPUTS: One
SAFETY STANDARD: UL 5085
LOCATION: IP20 for dry and damp locations
WARRANTY: 5 Years



ELECTRICAL SPECIFICATIONS

Input Voltage Range	480Vac ±10% / 347Vac ±10%
Frequency	60 Hz
Max. Input Current	0.86A @480V with 100% load condition/0.21A @480V with open load condition
Efficiency	93% typical
No Load Power Consumption	<10W
Withstand Voltage	Input to output, 2,000Vac, 10mA
Sound Rated	A
Protection	Thermally protected
UL/cUL	UL 5085 listed
Maximum Case Temperature	105°C/221°F

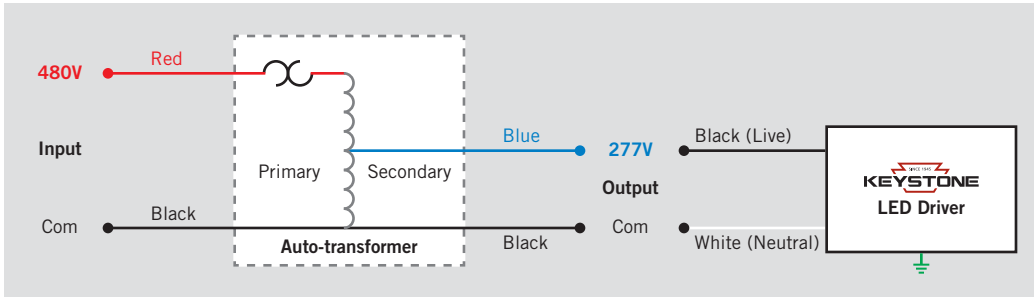
PHYSICAL SPECIFICATIONS



KTAT-375-480-277 /SF

STEP-DOWN AUTO-TRANSFORMER

WIRING DIAGRAM



Notes:

Wiring for 3-phase Wye (or Star) power supply: connect any two phase wires to auto-transformer input.

Wiring for 3-phase Delta power supply with proper grounding: connect 480V and ground reference legs to auto-transformer input.

WIRING SPECIFICATIONS

Input	Red	14", UL 1316, #14AWG
	Black	
Output	Blue	14", UL 1316, #14AWG
	Black	

PACKAGING

5.88 lbs/unit; 6 pcs/carton; 336 pcs/pallet

Box/Carton Size 20.4" × 8.7" × 5.3"

Carton Weight 35.27 lbs

Case Material Metal

ORDERING INFORMATION

ORDER CODE	PACK QUANTITY	ITEM STATUS
KTAT-375-480-277 /SF	6	Quick Ship

CATALOG NUMBER BREAKDOWN

KTAT-375-480-277 /SF

1

2

3

4

5

- 1 Keystone Technologies Auto-Transformer
- 2 Max. Power (VA)
- 3 Input Voltage
- 4 Output Voltage
- 5 Single-Flex