



# KTLD-15-UV-PS300-54-VDIM-LP1

## CONSTANT CURRENT LED DRIVER

### DESCRIPTION

LED Driver | 15W | 120-277V Input | 200, 230, 270 or 300mA Output



<b>TOTAL POWER:</b> 15W
<b>INPUT VOLTAGE:</b> 120~277Vac ± 10%
<b>INPUT FREQUENCY:</b> 50/60 Hz
<b>OUTPUT CURRENT:</b> 200, 230, 270 or 300mA
<b>DIMMING:</b> 0-10V
<b>WARRANTY:</b> 5 Years



### ELECTRICAL SPECIFICATIONS

Input Voltage Range	120~277Vac ± 10%
Frequency	50/60 Hz
Power Factor	> 0.9 under 120~277Vac input with 80~100% load condition (For All Output Currents)
Inrush Current	TBD
Max. Input Current	TBD
THD	< 20% under 120~277Vac input with 80~100% load condition (For All Output Currents)
Load Regulation	± 2%
Line Regulation	± 2%
Output Tolerance	± 5% at Full Load Condition
Turn-On Delay Time	< 0.5s at Full Load Condition
Overshoot	< 10% at Full Load Condition
No Load Power Consumption	< 1W
Ripple & Noise (pk-pk)	< 10%
Withstand Voltage	Input to output, 2,800Vdc, 2mA
Leakage Current	Maximum 0.5mA at 277Vac, 60Hz input
Minimum Dim %	~10% Dimming
Protection	<ul style="list-style-type: none"> <li>• <b>Over Voltage Protection:</b> Hiccup mode. Protection will trigger when load voltage exceeds specified output voltage and will auto recover after the fault mode is removed.</li> <li>• <b>Over Current Protection:</b> Hiccup mode. Protection will trigger when load current exceeds specified output current and will auto recover after the fault mode is removed.</li> <li>• <b>Short Circuit Protection:</b> Hiccup mode. Protection will trigger when short circuited and will auto recover after the fault mode is removed.</li> </ul>

### PRODUCT SPECIFICATIONS

Catalog Number	Output Current	Output Voltage	Output Power	OCV	Typical Efficiency at 120V	Typical Efficiency at 240V	Typical Efficiency at 277V	Remote Mounting Distance (#18 AWG)	Class 2	
									US	Canada
KTLD-15-UV-PS300-54-VDIM-LP1	200mA	30-54V	10.8W	60V	84%	84%	84%	124 ft	✓	
	230mA	30-54V	12.4W							
	270mA	30-54V	14.6W							
	300mA	30-54V	16.2W							

### ENVIRONMENTAL SPECIFICATIONS

Operating Temperature	-40°C/-40°F to 60°C/140°F
Storage Temperature	-40°C/-40°F to 85°C/185°F
Humidity	5% to 95%
MTBF	365,000 hours at 40°C/104°F ambient (~70°C/158°F Case temp)
Life Rating	85,000 hours at 120Vac input, 100% load and 60°C/140°F case temperature
Maximum Case Temperature	90°/194°F

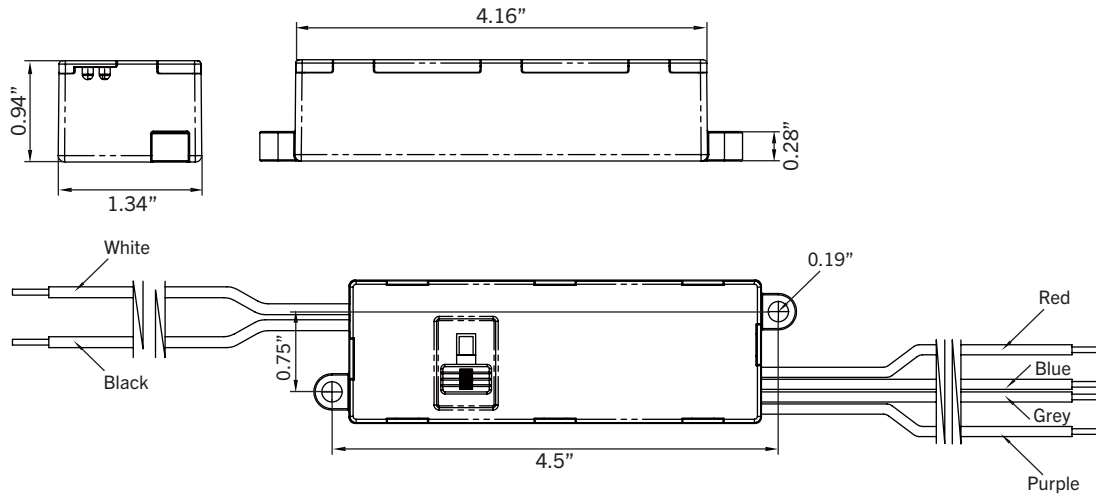
### SAFETY AND EMC COMPLIANCE

UL/cUL	UL 8750, Class P, UL1310 Class 2
CE	EN61347-1, EN61347-2-13
FCC, 47CFR Part 15	ANSI C63.4:2009 Class B (Consumer Limit)
EN61000-3-2	Harmonic Current Emissions Class C
Sound Rating	Class A Sound Rating (per Energy Star V1.0)

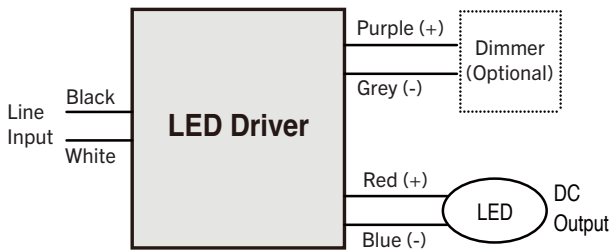
# KTLD-15-UV-PS300-54-VDIM-LP1

## CONSTANT CURRENT LED DRIVER

### PHYSICAL SPECIFICATIONS



### WIRING DIAGRAM

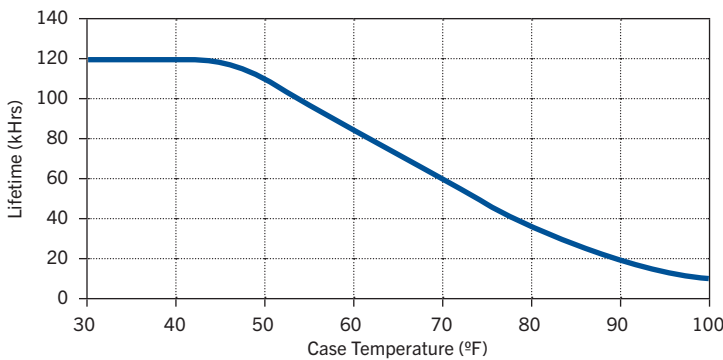


### WIRING SPECIFICATIONS

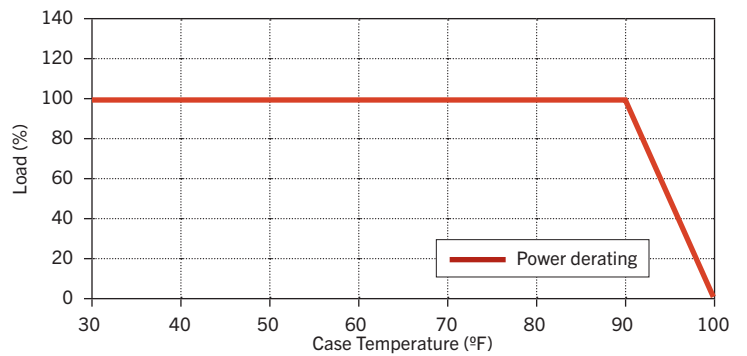
<b>INPUT</b>	12", UL 1569 #18AWG (Black and White)
<b>OUTPUT</b>	12", UL 1569 #18AWG (Red and Blue)
<b>DIMMING</b>	12", UL 1569 #18AWG (Purple and Grey)

### PERFORMANCE SPECIFICATIONS

#### LIFETIME VS CASE TEMPERATURE



#### POWER DERATING VS CASE TEMPERATURE

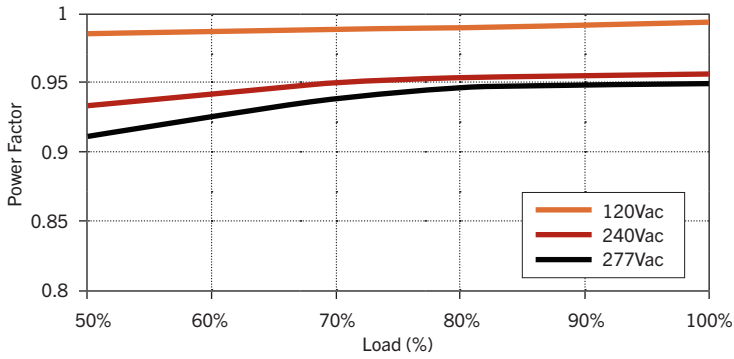




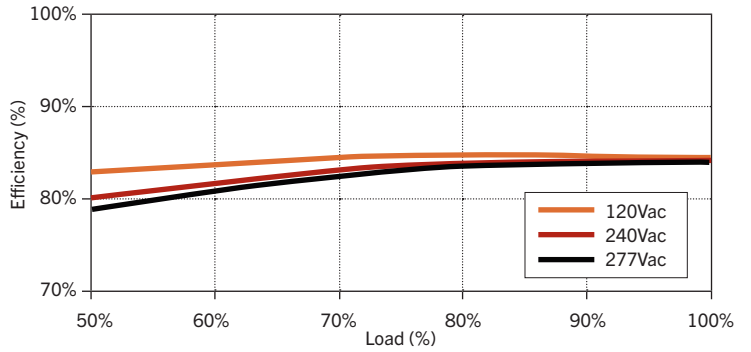
# KTLD-15-UV-PS300-54-VDIM-LP1

## CONSTANT CURRENT LED DRIVER

**POWER FACTOR VS LOAD**



**EFFICIENCY VS LOAD**



**ORDERING INFORMATION**

ORDER CODE	PACKAGING STYLE	PACK QTY.	ITEM STATUS
KTLD-15-UV-PS300-54-VDIM-LP1	Carton Pack	TBD	Quick Ship

**CATALOG NUMBER BREAKDOWN**

# KTLD-15-UV-PS300-54-VDIM-LP1

- 1
- 2
- 3
- 4
- 5
- 6
- 7
- 8

- 1 Keystone Technologies LED Driver
- 2 Max. Output Wattage
- 3 120-277V Input
- 4 Power Select Series
- 5 Max. Output Current
- 6 Max. Output Voltage
- 7 0-10V Dimming
- 8 Case Style