



EXTERNAL DRIVE LED
TYPE C LED TUBES



KT-LED10.5T8-36G-840-E

T8 LED LAMP

DESCRIPTION

T8 LED | 10.5W | 120-277Vac Input | 3' Length | 4000K | Type C
>82 CRI | 0-10V Dimming | G13 (Medium Bi-Pin)



RoHS
Compliant



10 YEAR
LIMITED WARRANTY



PRODUCT FEATURES

- Keystone Power Select technology (see *Performance Specifications* for details)
- Compatible with Keystone external drive LED drivers
- Bi-Level Dimming:
 - Toggle Between Partial & Full Brightness using Wall Switch
- Replacement for conventional fluorescent lamps
- 70,000+ hour lifetime
- Type C application for custom installations and maximum efficiency
- Environmentally friendly: No mercury used
- Instant startup
- Frosted glass eliminates pixelation
- UL Classified
- Operating temperature: -20°C/-4°F to 45°C/113°F
- Humidity: 10-90%
- 0-10V Dimming
- Power Factor >0.9
- 12V Aux Output, 100mA Max. Current

PERFORMANCE SPECIFICATIONS

BARE LAMP

Lumens	Wattage	Efficacy	CRI
1,740	10.5W	166 lm/W	>82

SYSTEM - 100% POWER

Lamp Configuration	System Total Lumens	System Total Power	System Efficacy	System Per Lamp Lumens	System Per Lamp Power	Type C Driver
1-Lamp	11.9W	1,740	146 lm/W	1,740	11.9W	KTLD-2LT8-UV-PS15C-BL-VDIM
2-Lamp	23.8W	3,480	146 lm/W	1,740	11.9W	
3-Lamp	35.7W	5,220	146 lm/W	1,740	11.9W	KTLD-4LT8-UV-PS15C-BL-VDIM
4-Lamp	47.6W	6,960	146 lm/W	1,740	11.9W	

(Performance Specifications continued on next page)



KT-LED10.5T8-36G-840-E

T8 LED LAMP

PERFORMANCE SPECIFICATIONS (continued)

10.5W LAMP SYSTEM

System Wattage	1-Lamp			2-Lamp			3-Lamp			4-Lamp		
	300mA	240mA	180mA	300mA	240mA	180mA	300mA	240mA	180mA	300mA	240mA	180mA
100%	11.9W	9.5W	7.1W	23.8W	19W	14.3W	35.7W	28.6W	21.4W	47.6W	38.1W	28.6W
70%	8.3W	6.7W	5W	16.7W	13.3W	10W	25W	20W	15W	33.3W	26.7W	20W
50%	6W	4.8W	3.6W	11.9W	9.5W	7.1W	17.9W	14.3W	10.7W	23.8W	19W	14.3W
System Lumens	1-Lamp			2-Lamp			3-Lamp			4-Lamp		
	300mA	240mA	180mA	300mA	240mA	180mA	300mA	240mA	180mA	300mA	240mA	180mA
100%	1,740	1,195	855	3,480	2,540	1,875	5,220	3,880	2,845	6,960	5,265	3,870
70%	1,025	790	560	2,200	1,735	1,245	3,345	2,620	1,865	4,580	3,590	2,600
50%	690	525	360	1,520	1,165	815	2,295	1,760	1,225	3,185	2,475	1,760
System Efficacy	1-Lamp			2-Lamp			3-Lamp			4-Lamp		
	300mA	240mA	180mA	300mA	240mA	180mA	300mA	240mA	180mA	300mA	240mA	180mA
100%	146 lm/W	126 lm/W	120 lm/W	146 lm/W	134 lm/W	131 lm/W	146 lm/W	136 lm/W	133 lm/W	146 lm/W	138 lm/W	135 lm/W
70%	123 lm/W	118 lm/W	112 lm/W	132 lm/W	130 lm/W	125 lm/W	134 lm/W	131 lm/W	124 lm/W	137 lm/W	135 lm/W	130 lm/W
50%	116 lm/W	111 lm/W	101 lm/W	128 lm/W	122 lm/W	114 lm/W	129 lm/W	123 lm/W	115 lm/W	134 lm/W	130 lm/W	123 lm/W

* Keystone Power Select Technology (300/240/180mA)

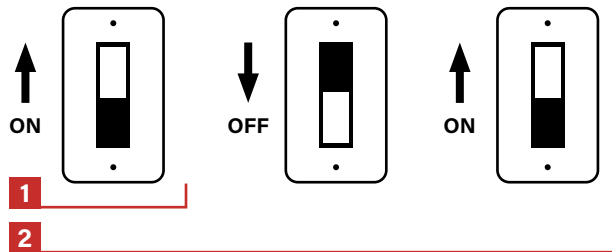
* Keystone Bi-Level Dimming (100/70/50%)

KEY FEATURES

BI-LEVEL DIMMING

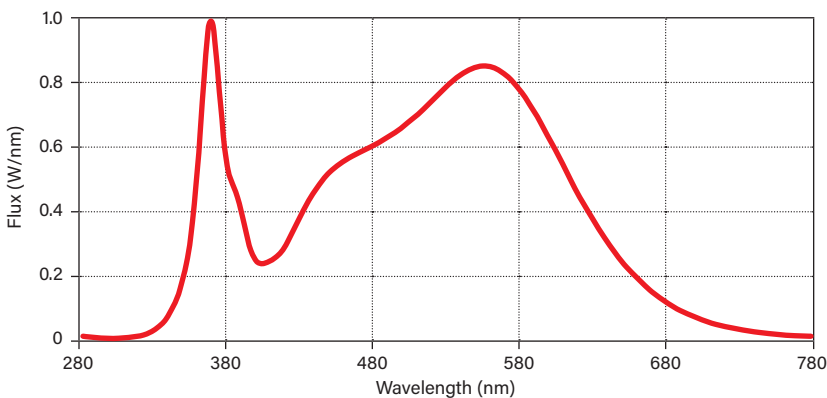
MODE 1 Partial Brightness (settable to 100/70/50%)
Flip wall switch to ON position

MODE 2 Full Brightness (100%)
Flip wall switch twice within 5 seconds



PHOTOMETRIC SPECIFICATIONS

SPECTRAL DISTRIBUTION



RATED LIFE

L70 (Hours) 70,000

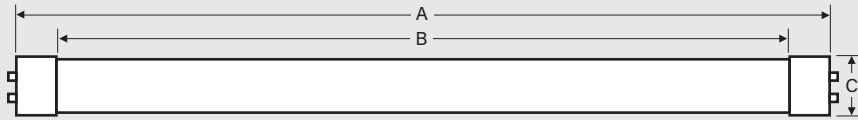
BEAM ANGLE: 160°

KT-LED10.5T8-36G-840-E

T8 LED LAMP

PHYSICAL SPECIFICATIONS

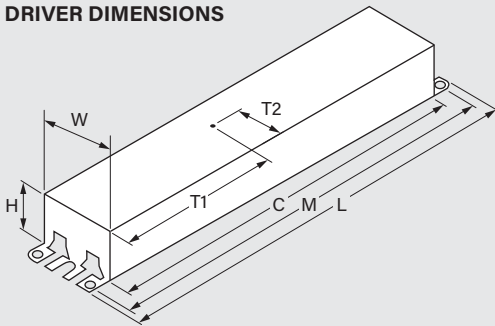
LAMP DIMENSIONS



KT-LED10.5T8-36G-840-E	
A (Body Length)	35.22"
B (Illuminated Length)	31.48"
C (Diameter)	1.10"

BASE TYPE: G13 (MEDIUM BI-PIN)

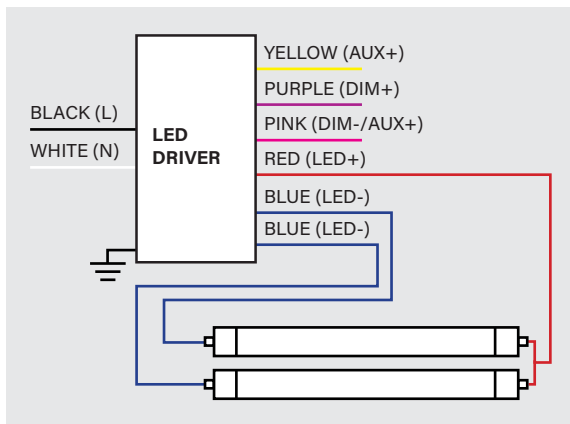
DRIVER DIMENSIONS



KTLD-XLT8-UV-PS15C-BL-VDIM	
Length (L)	11.02"
Mounting Length (M)	10.49"
Case Length (C)	9.58"
Width (W)	1.18"
Height (H)	0.87"
Tc Point (T1)	4.50"
Tc Point (T2)	0.59"

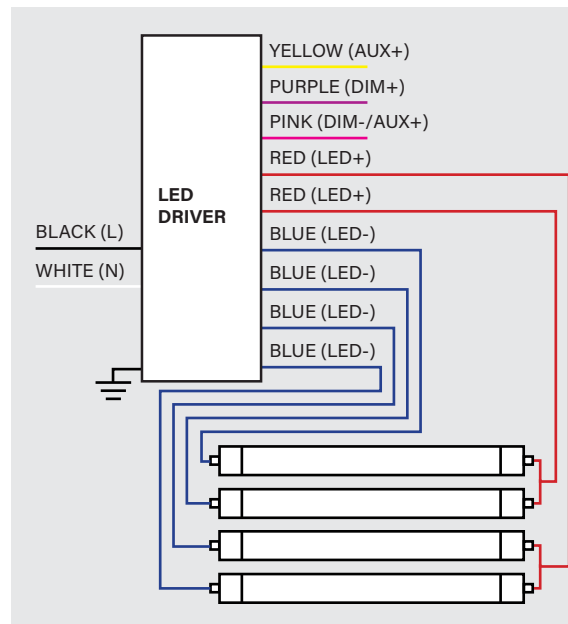
WIRING SPECIFICATIONS

KTLD-2LT8-UV-PS15C-BL-VDIM



*For 1 Lamp application, cap off 1 blue lead

KTLD-4LT8-UV-PS15C-BL-VDIM



*For 3 Lamp application, cap off 1 blue lead

STANDARD LEAD LENGTHS*

Input	Black	30.00"
	White	30.00"
Output	Red	30.00"
	Blue	30.00"
	Purple	30.00"
	Pink	30.00"
	Yellow	30.00"

Input Wires are 18 AWG
105°C / 600V

Output Wires are 20 AWG
105°C / 300V

*Consult Keystone for special lead length requirements.



KT-LED10.5T8-36G-840-E

T8 LED LAMP

ORDERING INFORMATION

Catalog Number	Carton QTY	Item Status	UPC	Easy Code
KT-LED10.5T8-36G-840-E	25	Quick Ship	843654177328	FOD-49

CATALOG NUMBER BREAKDOWN

KT-LED10.5T8-36G-840-E

1
2
3
4
5
6
7
8
9

- 1** Keystone Technologies
- 2** LED Lamp
- 3** Wattage
- 4** Lamp Type
- 5** Nominal Length (Inches)
- 6** Glass
- 7** 80 CRI
- 8** Color Temperature
- 9** External Drive Series

8 Color Temperature	
40	4000K