



# ESSENTIAL SERIES

GENERAL PURPOSE LED BULBS

## KT-LED10PAR30-F-8XX /G2

75W REPLACEMENT LAMP

### DESCRIPTION

10W PAR30 Lamp | 2700–5000K | > 80 CRI | Standard Long Neck Flood



Enclosed  
Fixture Rated



RoHS  
Compliant

3YEAR  
WARRANTY

**LAMP TYPE:** PAR30

**BASE TYPE:** E26 (Medium)

**WATTAGE:** 10W

**COLOR TEMPERATURE:** 2700–5000K

**COLOR RENDERING INDEX (CRI):** > 80

**WARRANTY:** 3 Years

**RATED LIFE:** L70 (25,000 Hours)



### TYPICAL APPLICATIONS

- Track-lighting
- Display
- Flood- and spot-lighting
- Outdoor fixtures (with suitable protection from the elements)

### PRODUCT FEATURES

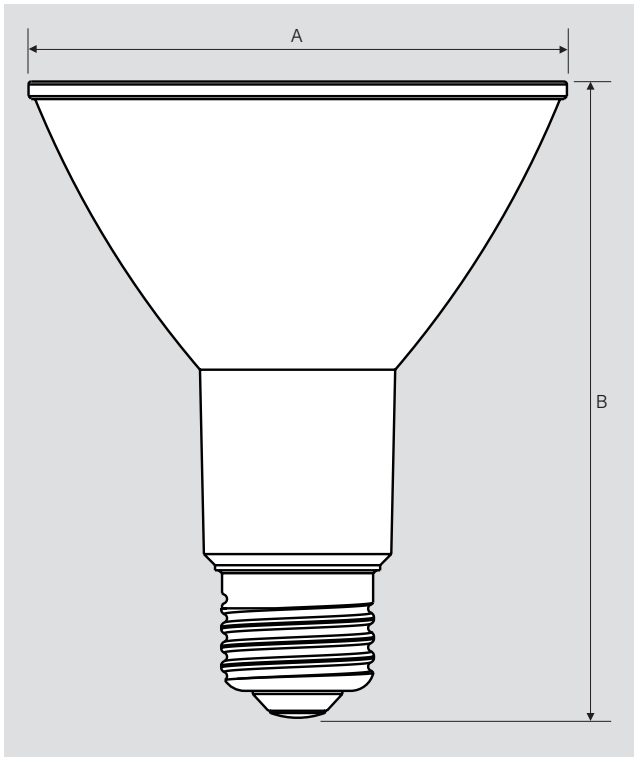
- 80%+ energy savings and less heat generation vs legacy equivalents
- 25,000 hr lifetime means fewer replacements and lower maintenance cost
- Precision crafted optics for beam angle control
- Durable plastic housing for lower risk of breakage
- ANSI compliant construction ensures fit for intended applications
- UL & Energy Star listed
- Suitable for use in enclosed, recessed fixtures
- Suitable for dry, damp, and wet locations
- Suitable for use with dimmers
- PF > 0.90
- Operating temperature range: 4°F/–20°C to 95°F/35°C
- Complies with FCC Part 15

### ELECTRICAL AND PERFORMANCE SPECIFICATIONS

Keystone Catalog Number	Base Type	Input Voltage	Rated Lamp Wattage	Legacy Equivalent Wattage	Lumens	Efficacy	CRI	Beam Angle	Dimmable	Color Temp
KT-LED10PAR30-F-827 /G2	E26	120V	10W	75W halogen	950	95 lm/W	> 80	40°	Yes	2700K
KT-LED10PAR30-F-830 /G2	E26	120V	10W	75W halogen	950	95 lm/W	> 80	40°	Yes	3000K
KT-LED10PAR30-F-840 /G2	E26	120V	10W	75W halogen	950	95 lm/W	> 80	40°	Yes	4000K
KT-LED10PAR30-F-850 /G2	E26	120V	10W	75W halogen	950	95 lm/W	> 80	40°	Yes	5000K

**KT-LED10PAR30-F-8XX /G2**  
 75W REPLACEMENT LAMP

**PHYSICAL SPECIFICATIONS**



**LAMP DIMENSIONS**

<b>A (Diameter)</b>	3.78"
<b>B (Length)</b>	4.49"

**BASE TYPE:** E26 (Medium)

**PACKAGING**

<b>Carton Quantity</b>	48 pcs
<b>Carton Dimensions</b>	18.50" × 13.46" × 10.32"

**ORDERING INFORMATION**

CATALOG NUMBER	UPC	EASY CODE
KT-LED10PAR30-F-827 /G2	843654150857	LZL-12
KT-LED10PAR30-F-830 /G2	843654150864	SDV-03
KT-LED10PAR30-F-840 /G2	843654150871	YSV-52
KT-LED10PAR30-F-850 /G2	843654150888	WVE-65

**CATALOG NUMBER BREAKDOWN**

**KT-LED10PAR30-F-8XX /G2**

**1** **2** **3** **4** **5** **6** **7** **8**

- 1** Keystone Technologies
- 2** LED Lamp
- 3** Wattage
- 4** Lamp Shape
- 5** Standard Flood
- 6** 80 CRI
- 7** Color Temperature
- 8** Second Generation