



SMART PORT LED

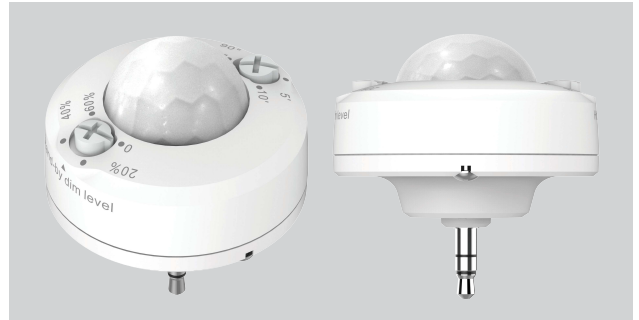
KTS-PIR1-12V-AUX

SMART PORT LED PASSIVE INFRARED (PIR) OCCUPANCY SENSOR

INSTALLATION AND OPERATING INSTRUCTIONS

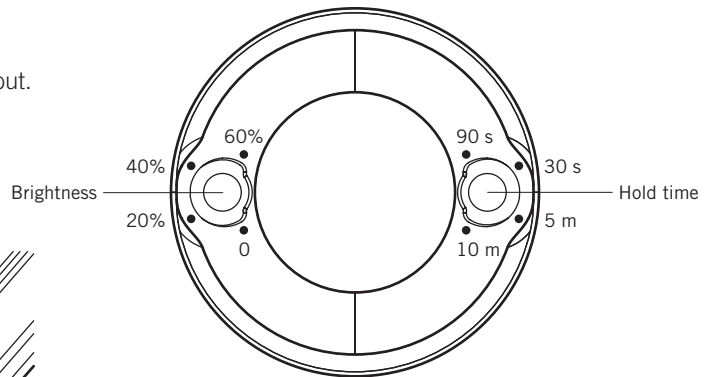
Read and understand all warnings and notes stated below before proceeding with installation.

- Operating temperature: $-20^{\circ}\text{C}/-4^{\circ}\text{F}$ to $60^{\circ}\text{C}/140^{\circ}\text{F}$
- Do not use with enclosed luminaire.
- Do not expose directly to water.
- Use only one module per lamp.

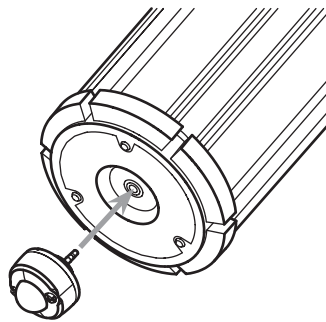


PRE-INSTALLATION PROGRAMMING

- Set PIR Occupancy Sensor brightness and hold time:
 - Brightness (Light level output when sensing no motion)
 - Set standby dimming level to 0/20%/40%/60% of full light output.
 - Hold time (Time from light trigger until no motion is detected)
 - Set time duration until sensor triggers standby light level (30 seconds/90 seconds/5 minutes/10 minutes).



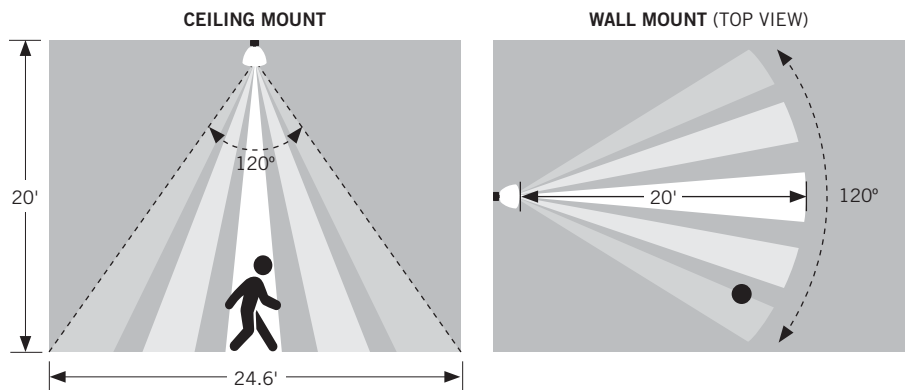
- Plug the PIR Occupancy Sensor into Smart Port.
 - Insert 3.5mm AUX into the Smart Port on Keystone's Smart Port LED compatible lamps.



INSTALLATION

- Plug in and turn on the LED lamp with the installed PIR Occupancy Sensor.
 - Lamp will be illuminated at 100% brightness.
- Wait for preset hold time (30 seconds/90 seconds/5 minutes/10 minutes).
 - If no motion is detected, lamp will be turned down to 0–60% brightness, depending on your preset brightness level (0/20%/40%/60%).
 - If motion is detected, lamp will stay turned on at 100% brightness.

PIR OCCUPANCY SENSOR DETECTION AREA



APPLICATIONS

- Corridors
- Warehouses
- Parking garages
- Showrooms

SAVE THESE INSTRUCTIONS