



EXTERNAL DRIVE LED
TYPE C LED TUBES



KT-LED9.5T8-24G-8CSJ-E

T8 LED LAMP

DESCRIPTION

T8 LED | 9.5W | 120-277Vac Input | 2' Length | Color Select | Type C
>82 CRI | 0-10V Dimming | G13 (Medium Bi-Pin)



10 YEAR
LIMITED WARRANTY



PRODUCT FEATURES

- Keystone Power Select technology (see *Performance Specifications* for details)
- Keystone Color Select technology (3000/3500/4000/5000/6500K)
- Compatible with Keystone external drive LED drivers
- Bi-Level Dimming:
 - Toggle Between Partial & Full Brightness using Wall Switch
- Replacement for conventional fluorescent lamps
- 70,000+ hour lifetime
- Type C application for custom installations and maximum efficiency
- Environmentally friendly: No mercury used
- Instant startup
- Frosted glass eliminates pixelation
- UL Classified
- Operating temperature: -20°C/-4°F to 45°C/113°F
- Humidity: 10-90%
- 0-10V Dimming
- Power Factor >0.9
- 12V Aux Output, 100mA Max. Current

PERFORMANCE SPECIFICATIONS

BARE LAMP

Lumens	Wattage	Efficacy	CRI
1,570	9.5W	165 lm/W	>82

SYSTEM - 100% POWER

Lamp Configuration	System Total Power	CCT	System Total Lumens	System Efficacy	System Per Lamp Lumens	System Per Lamp Power	Type C Driver
1-Lamp	11.4W	3000K	1,485	130 lm/W	1,485	11.4W	KTLD-2LT8-UV-PS15C-BL-VDIM
		3500K	1,570	138 lm/W	1,570	11.4W	
		4000K	1,570	138 lm/W	1,570	11.4W	
		5000K	1,570	138 lm/W	1,570	11.4W	
		6500K	1,520	133 lm/W	1,520	11.4W	
2-Lamp	22.6W	3000K	2,930	130 lm/W	1,465	11.3W	
		3500K	3,140	139 lm/W	1,570	11.3W	
		4000K	3,140	139 lm/W	1,570	11.3W	
		5000K	3,140	139 lm/W	1,570	11.3W	
		6500K	3,040	135 lm/W	1,520	11.3W	
3-Lamp	33.6W	3000K	4,395	131 lm/W	1,465	11.2W	KTLD-4LT8-UV-PS15C-BL-VDIM
		3500K	4,710	140 lm/W	1,570	11.2W	
		4000K	4,710	140 lm/W	1,570	11.2W	
		5000K	4,710	140 lm/W	1,570	11.2W	
		6500K	4,560	136 lm/W	1,520	11.2W	
4-Lamp	44.4W	3000K	5,860	132 lm/W	1,465	11.1W	
		3500K	6,280	141 lm/W	1,570	11.1W	
		4000K	6,280	141 lm/W	1,570	11.1W	
		5000K	6,280	141 lm/W	1,570	11.1W	
		6500K	6,080	137 lm/W	1,520	11.1W	

(Performance Specifications continued on next page)



KT-LED9.5T8-24G-8CSJ-E

T8 LED LAMP

PERFORMANCE SPECIFICATIONS (continued)

9.5W LAMP SYSTEM

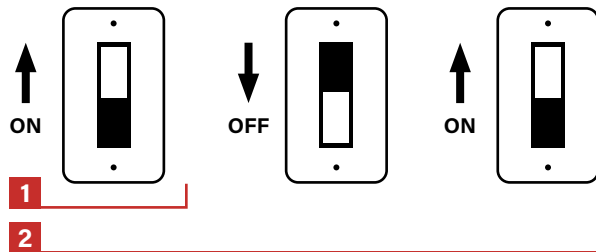
System Wattage	1-Lamp			2-Lamp			3-Lamp			4-Lamp		
	300mA	240mA	180mA	300mA	240mA	180mA	300mA	240mA	180mA	300mA	240mA	180mA
100%	11.4W	9.1W	6.8W	22.6W	18.1W	13.6W	33.6W	26.9W	20.2W	44.4W	35.5W	26.6W
70%	8.0W	6.4W	4.8W	15.8W	12.7W	9.5W	23.5W	18.8W	14.1W	31.1W	24.9W	18.6W
50%	5.7W	4.6W	3.4W	11.3W	9.0W	6.8W	16.8W	13.4W	10.1W	22.2W	17.8W	13.3W
System Lumens	1-Lamp			2-Lamp			3-Lamp			4-Lamp		
	300mA	240mA	180mA	300mA	240mA	180mA	300mA	240mA	180mA	300mA	240mA	180mA
100%	1,570	1,155	830	3,140	2,430	1,815	4,710	3,675	2,745	6,280	4,930	3,710
70%	1,015	785	555	2,160	1,710	1,250	3,210	2,545	1,860	4,315	3,440	2,540
50%	710	535	365	1,520	1,190	845	2,265	1,775	1,275	3,075	2,415	1,740
System Efficacy	1-Lamp			2-Lamp			3-Lamp			4-Lamp		
	300mA	240mA	180mA	300mA	240mA	180mA	300mA	240mA	180mA	300mA	240mA	180mA
100%	138 lm/W	126 lm/W	121 lm/W	139 lm/W	134 lm/W	134 lm/W	140 lm/W	137 lm/W	136 lm/W	141 lm/W	139 lm/W	139 lm/W
70%	127 lm/W	123 lm/W	116 lm/W	137 lm/W	135 lm/W	132 lm/W	137 lm/W	135 lm/W	132 lm/W	139 lm/W	138 lm/W	136 lm/W
50%	125 lm/W	117 lm/W	107 lm/W	134 lm/W	132 lm/W	124 lm/W	135 lm/W	132 lm/W	126 lm/W	138 lm/W	136 lm/W	131 lm/W

* Keystone Power Select Technology (300/240/180mA)
 * Keystone Bi-Level Dimming (100/70/50%)
 * 3000K has a 3% loss, other CCTs maintain performance

KEY FEATURES

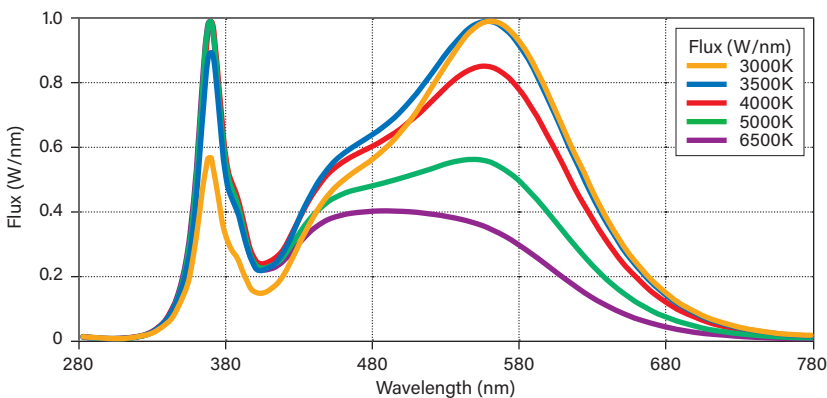
BI-LEVEL DIMMING

- MODE 1** Partial Brightness (settable to 100/70/50%)
Flip wall switch to ON position
- MODE 2** Full Brightness (100%)
Flip wall switch twice within 5 seconds



PHOTOMETRIC SPECIFICATIONS

SPECTRAL DISTRIBUTION



RATED LIFE

L70 (Hours) 70,000

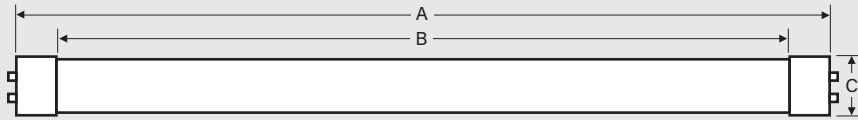
BEAM ANGLE: 160°

KT-LED9.5T8-24G-8CSJ-E

T8 LED LAMP

PHYSICAL SPECIFICATIONS

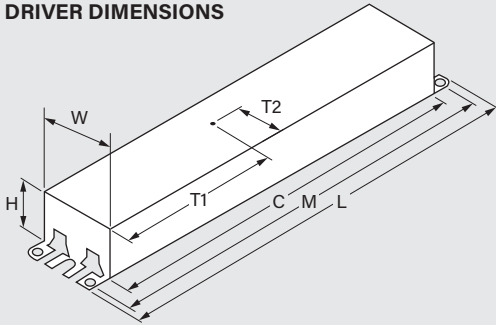
LAMP DIMENSIONS



KT-LED9.5T8-24G-8CSJ-E	
A (Body Length)	23.22"
B (Illuminated Length)	19.48"
C (Diameter)	1.10"

BASE TYPE: G13 (MEDIUM BI-PIN)

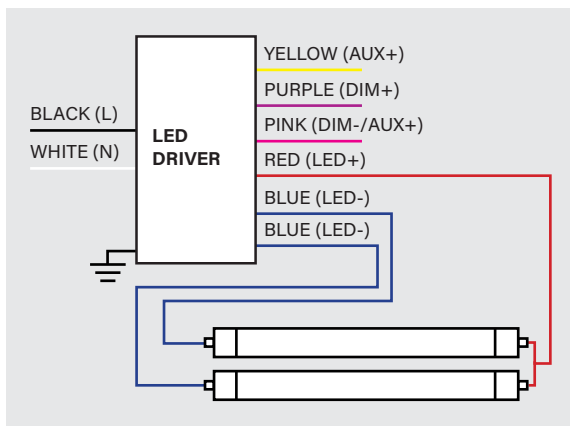
DRIVER DIMENSIONS



KTLD-XLT8-UV-PS15C-BL-VDIM	
Length (L)	11.02"
Mounting Length (M)	10.49"
Case Length (C)	9.58"
Width (W)	1.18"
Height (H)	0.87"
Tc Point (T1)	4.50"
Tc Point (T2)	0.59"

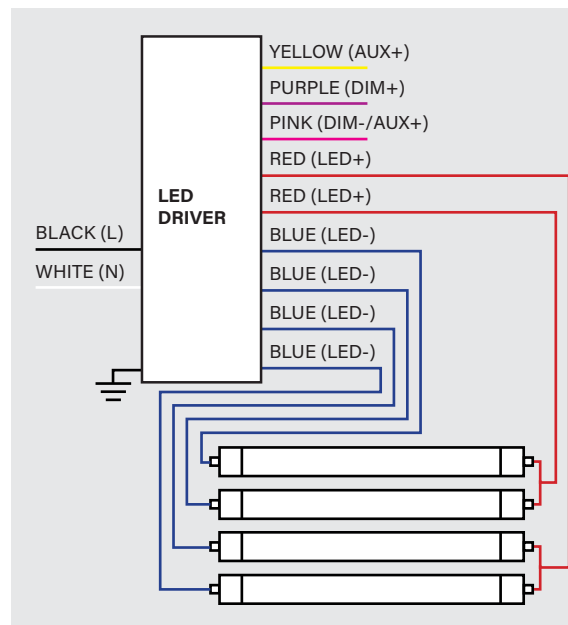
WIRING SPECIFICATIONS

KTLD-2LT8-UV-PS15C-BL-VDIM



*For 1 Lamp application, cap off 1 blue lead

KTLD-4LT8-UV-PS15C-BL-VDIM



*For 3 Lamp application, cap off 1 blue lead

STANDARD LEAD LENGTHS*

Input	Black	30.00"
	White	30.00"
Output	Red	30.00"
	Blue	30.00"
	Purple	30.00"
	Pink	30.00"
	Yellow	30.00"

Input Wires are 18 AWG
105°C / 600V

Output Wires are 20 AWG
105°C / 300V

*Consult Keystone for special lead length requirements.



KT-LED9.5T8-24G-8CSJ-E

T8 LED LAMP

ORDERING INFORMATION

Catalog Number	Carton QTY	Item Status	UPC	Easy Code
KT-LED9.5T8-24G-8CSJ-E	25	Quick Ship	843654177274	MHF-63

CATALOG NUMBER BREAKDOWN

KT-LED9.5T8-24G-8CSJ-E

1
2
3
4
5
6
7
8
9
10

- 1** Keystone Technologies
- 2** LED Lamp
- 3** Wattage
- 4** Lamp Type
- 5** Nominal Length (Inches)
- 6** Glass
- 7** 80 CRI
- 8** Color Select
- 9** Color Select Designation
- 10** External Drive Series

9 Color Select Designation

J	3000/3500/4000/5000/6500K
----------	---------------------------