

INSTALLATION AND OPERATING INSTRUCTIONS

CAT. NO. KT-LED36T8-96P-8XX-D

INSTALLATION

Product includes the following components:

PARTS	QUANTITY (Distributor Pack)	QUANTITY (Carton Pack)
LED Tube	1	20 pcs/box
Installation Instruction Sheet	1	1

CAUTION: Before installing, make certain the AC power to the fixture is off.

CAUTION: The electrical rating of this product is 120-277V. Installer must confirm that there is 120-277V at the fixture before installation.

CAUTION: LEDs are extremely bright. Do not look directly at the LED light source for extended time as over-exposure may cause harm to the eyes.

WARNINGS

WARNING: Risk of fire or electric shock. This LED retrofit kit installation requires knowledge of luminaires electrical systems. If not qualified, do not attempt installation. Contact a qualified electrician.

WARNING: Risk of fire or electric shock. Install this LED retrofit kit only in luminaires that have the construction features and dimensions shown in the photographs and/or drawings.

WARNING: Minimum distance between lamps center to center is 140mm (5.5").

WARNING: To prevent wiring damage or abrasion, do not expose wiring to edges of sheet metal or other sharp objects.

Do not add or alter any open holes of the wiring enclosure or electrical component enclosure during installation.

Only those open holes indicated in the photographs and/or drawings may be added or altered as a result of kit installation. Do not leave any other open holes in the wiring enclosure or electrical component enclosure during installation.

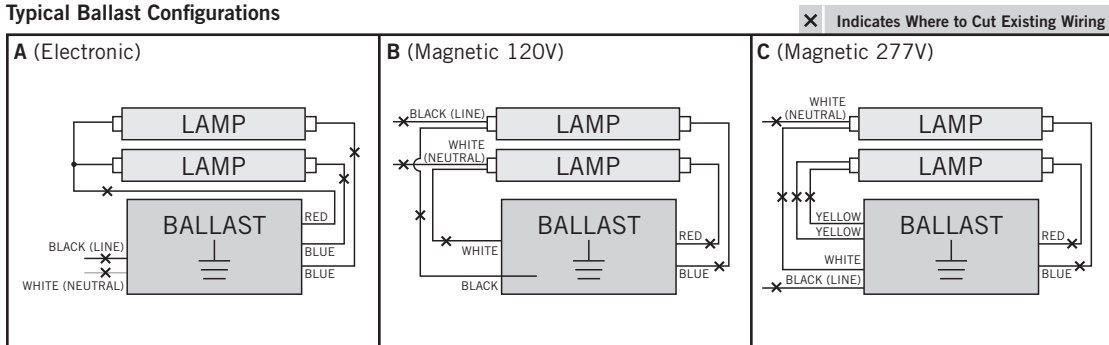
Installers should not disconnect existing wires from lamp holder terminals to make new connections at lamp holder terminals. Instead, installers should cut existing lamp holder leads away from the lamp holder and make new electrical connections to lamp holder lead wires by employing applicable connectors.

Installation Steps

Removing Existing Fluorescent System

1. Disconnect power from fixture.
2. Remove fluorescent lamp(s).
3. Remove lens and wiring compartment, if applicable.
4. Identify ballast configuration as shown below and cut all wires connected to the ballast accordingly.

Typical Ballast Configurations



5. Confirm that the lampholders in the fixture are single-pin Fa8 lampholders. These DirectDrive LED tubes require single-pin Fa8 lampholders.

KT-LED36T8-96P-8XX-D INSTALLATION AND OPERATING INSTRUCTIONS

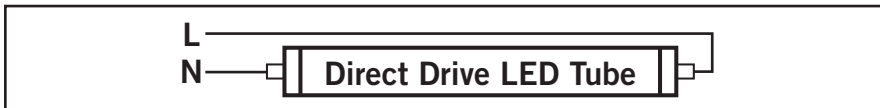
Tube Installation and Wiring

NOTE: Both ends of this LED tube receive power.

1. Confirm that power is still disconnected from fixture.
2. Make sure fixture is properly grounded.
3. Follow step A for single lamp application or steps B and C for multiple lamp application, based on the number of lamps in the fixture:

Single Lamp

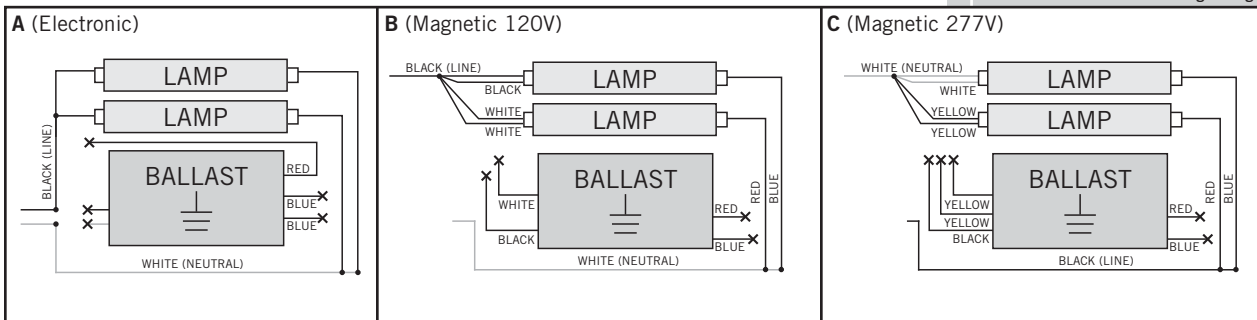
A. Connect the line (L) AC wire to one lampholder and the neutral (N) AC wire to lampholder on the opposite end. If only one lamp is being installed, proceed to step 4.



Multiple Lamps

B. Rewire the fixture using existing lampholders as shown below according to the original ballast wiring configuration.

Typical Ballast Configurations



4. Complete all electrical connections with appropriate connectors/wire nuts as needed, per all local and national electrical codes.
5. Replace wiring compartment cover.
6. Install all of the Direct Drive LED tubes with the LEDs pointed in the proper direction for illumination. Install any lens or diffuser as applicable.
7. Apply power to fixture and check for illumination.

To comply with the published safety standards, the following must be observed when using this LED tube:

LED TUBE MODEL NO.	INPUT VOLTAGE	INPUT FREQUENCY	INPUT CURRENT	INPUT WATTAGE	TUBE LENGTH
KT-LED36T8-96P-8XX-D	120-277V	50-60 Hz	300mA	36W	2368 mm
POWER FACTOR	THD	LIGHT OUTPUT	CCT	CRI, R9	LIFETIME
>0.90	<20%	~3600 lm	3000K-5000K	>80, >0	50,000 Hours

1. These LED tubes are intended for lighting systems only.
2. These LED tubes are for indoor use only. Maximum ambient temperature must not exceed 55°C (131°F).
3. Avoid use in sunlight, abnormal heat, or moist/condensing environments.
 - Working temperature: -20°C~55°C (-4°F~131°F)
 - Working humidity: 30%~85%
 - Storage temperature: -40°C~65°C (-40°F~149°F)
 - Storage humidity: 10%~90%
4. These LED tubes are not intended to be repaired by the user, manufacturer, or service personnell in any case of failure.
5. These LED tubes are constructed such that they do not rely upon the luminaire enclosure for protection against accidental contact with live parts.
6. These LED tubes are intended to retrofit a UL Listed, surface-mount, type IC or non-IC, recessed mount fluorescent luminarie with or without diffuser that uses straight tubular lamps.
7. These LED tubes are intended to be used in dry or damp locations only.
8. These LED tubes are not for use with dimmers.
9. These LED tubes are not intended for use with emergency exit fixtures of any type.
10. These tubes are intended to be installed in the same orientation as the fluorescent tubes they are replacing.