



# KT-LED14T8-48GC-835-D2

## T8 LED LAMP

**DESCRIPTION**

14W T8 LED | 3500K | >83 CRI | High-Efficiency



<b>LAMP TYPE:</b> Linear
<b>BULB TYPE:</b> T8
<b>BASE TYPE:</b> G13 (Medium Bi-Pin)
<b>WATTAGE:</b> 14W
<b>COLOR TEMPERATURE:</b> 3500K
<b>COLOR RENDERING INDEX (CRI):</b> >83
<b>WARRANTY:</b> 5 Years



**PRODUCT FEATURES**

- Replacement for conventional fluorescent lamp
- 50,000+ hour lifetime
- Approximately 40% more energy efficient than standard F32T8 lamps
- Environmentally friendly: No mercury used
- Instant startup
- Improved Lamp Durability with Shatterproof Coated Glass
- ETL Sanitation Listed NSF/ANSI Standard 2 - Food Equipment
- Frosted lens eliminates pixelation
- UL classified
- Operating temperature: -20°C/-4°F to 45°C/113°F
- Integral driver (isolated) eliminates the need for external driver or ballast
- 120+ lumens per watt

**OPERATING SPECIFICATIONS**

**ELECTRICAL CHARACTERISTICS**

Input Voltage	Power Consumption	Power Factor	Input Current
120-277Vac	14W	>0.9	0.11A @ 120V 0.05A @ 277V

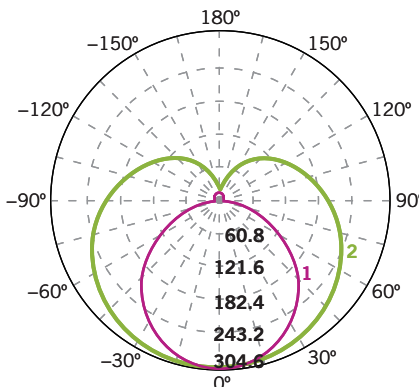
**PHOTOMETRIC CHARACTERISTICS**

Color Temperature (CCT)	3500K
Luminous Flux	1780 lm
Color Rendering Index (CRI)	>83
Efficacy	127lm/W
Beam Angle	240°
Visible Light Area	325°

**RATED LIFE**

L70 (Hours)	50,000
-------------	--------

**POLAR CANDELA DISTRIBUTION**



Maximum Candela = 1248.55  
 Located at  
 Horizontal Angle = 0, Vertical Angle = 0

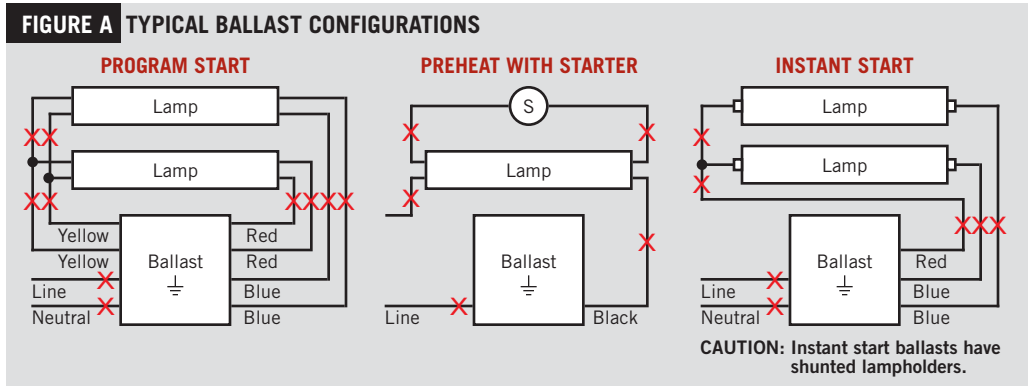
- 1 Violet Vertical Plane through Horizontal Angles (90-270)
- 2 Green Vertical Plane through Horizontal Angles (0-180)

# KT-LED14T8-48GC-835-D2

## T8 LED LAMP

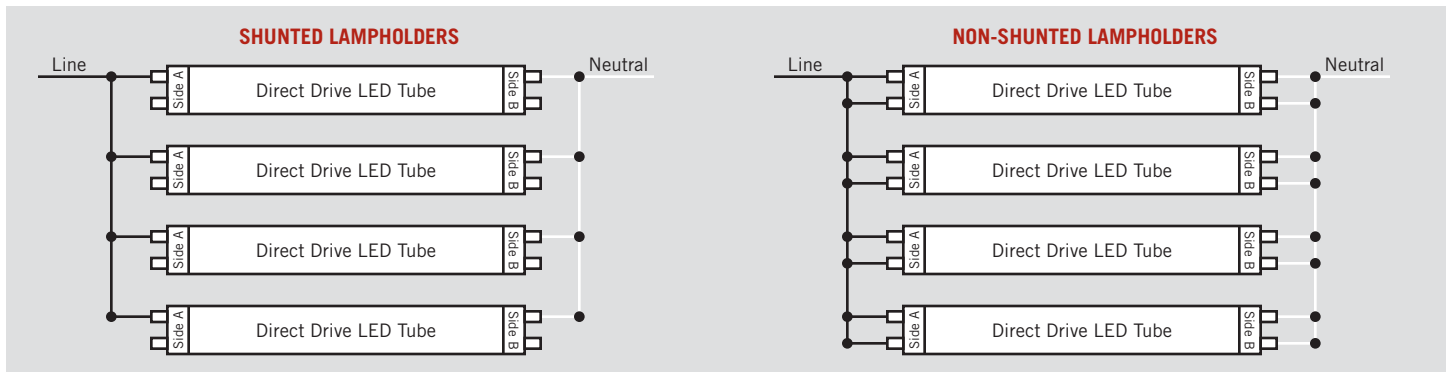
### WIRING DIAGRAMS

- Cut all existing connections to ballast as shown below and remove ballast.  
See *Figure A* for typical ballast configurations.



- Re-wire fixture as shown below. For double-ended wiring, use either shunted or nonshunted lampholders.

**NOTE: There should not be any exposed wires at the end of installation.**

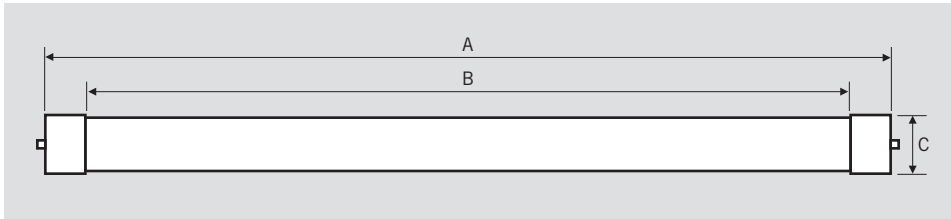




# KT-LED14T8-48GC-835-D2

## T8 LED LAMP

### PHYSICAL CHARACTERISTICS



### LAMP DIMENSIONS

A (Body Length)	47.15"
B (Illuminated Length)	42.63"
C (Diameter)	1.10"

**NOMINAL LENGTH:** 48"

**BASE TYPE:** G13 (Medium Bi-Pin)

### ORDERING INFORMATION

CATALOG NUMBER	PACK QTY.	EASY CODE	UPC
KT-LED14T8-48GC-835-D2-CP	25	DQK-14	843654127033

### CATALOG NUMBER BREAKDOWN

# KT-LED14T8-48GC-835-D2-CP

1 2 3 4 5 6 7 8 9 10

- 1 Keystone Technologies
- 2 LED Lamp
- 3 Wattage
- 4 Lamp Type
- 5 Nominal Length (Inches)
- 6 Shatter-Proof Coated Glass
- 7 800 Series
- 8 Color Temperature
- 9 Double-Ended Wiring
- 10 Packaging Style