

BPL-LED-22B-40PS-8CSA /FC2

BACKLIT LED PANEL LIGHT



2'x 2' LED panel light,
20, 30, and 40W, 120-277V input

PRODUCT FEATURES

- Wattage Selectable (40/30/20W)
 - CCT Selectable (3500/4000/5000K)
 - Features integrated SmartLoop Bluetooth™ mesh wireless sensor controller. The sensor controller may be used "out of the box" as a stand alone sensor (pre-commissioned, see page 2 for details); or may be commissioned using the SmartLoop app to add advanced functions such as zoning, high-end trim, configure occupancy/vacancy behavior, create scenes, and set schedules.
 - New backlit style design; fits standard T-grid ceilings
 - Construction features precise optical lenses over each individual LED offering optimal light diffusion and consistent surface illumination
 - Suitable for damp locations
 - Powered by 0-10V dimmable LED driver with built in junction box
 - Compatible with LED emergency backup
 - Over 70% energy savings compared to traditional fluorescent troffers
 - Operating temp range -20°C/-4°F to 40°C/104°F
- * For use in non-fire rated installations only



10 YEAR LIMITED WARRANTY

PERFORMANCE SPECIFICATIONS

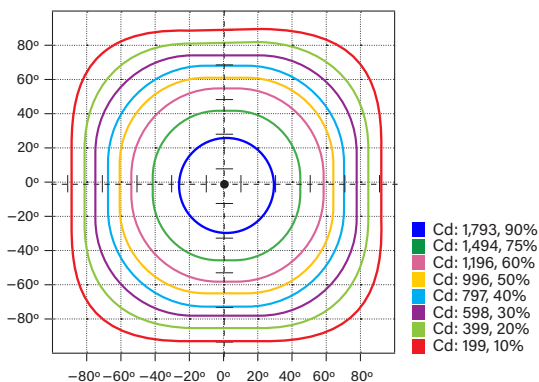
Catalog Number	Wattage	CCT	Lumen Output	Efficacy	Input Voltage	CRI	Power Factor	Lifetime
BPL-LED-22B-40PS-8CSA /FC2*	40W	3500K	4,400	110 lm/W	120-277V	>80	>0.9	50,000 Hours
		4000K	4,500	113 lm/W				
		5000K	4,450	111 lm/W				
	30W	3500K	3,400	111 lm/W				
		4000K	3,500	117 lm/W				
		5000K	3,450	115 lm/W				
	20W	3500K	2,400	111 lm/W				
		4000K	2,500	125 lm/W				
		5000K	2,450	123 lm/W				

ONE CATALOG NUMBER WITH 9 DIFFERENT OPTIONS

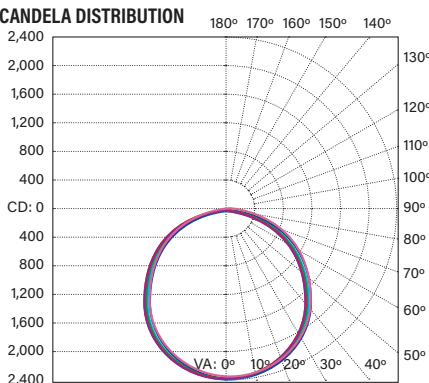
* Preset to highest lumen output (40W / 5000K)
* Color Uniformity: CCT (Correlated Color Temperature) range as per guidelines outlined in ANSI C78.377-2017.

PHOTOMETRIC SPECIFICATIONS

ISOCANDELA PLOT



POLAR CANDELA DISTRIBUTION



ZONAL LUMEN SUMMARY

Zone	Lumens	% Luminaire
0-60	3,252.2	78.4%
60-90	891.5	21.5%
0-90	4,147.6	100%

- Max Cd: 292.5° H
- 0° H
- 90° H
- 22.5° H
- 45° H
- 67.5° H

BPL-LED-22B-40PS-8CSA /FC2

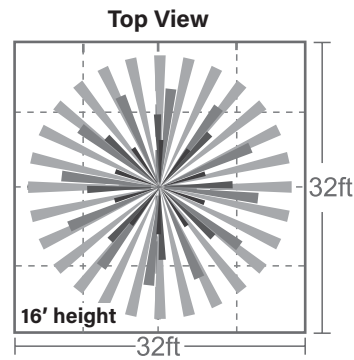
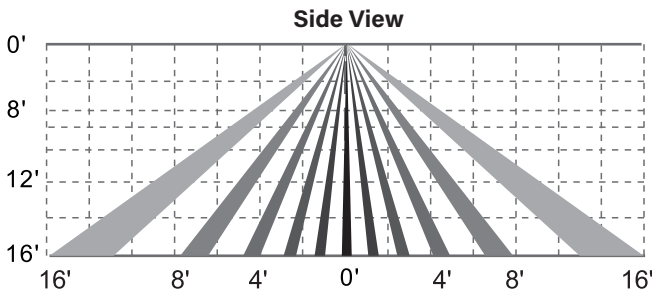
BACKLIT LED PANEL LIGHT

SENSOR PERFORMANCE

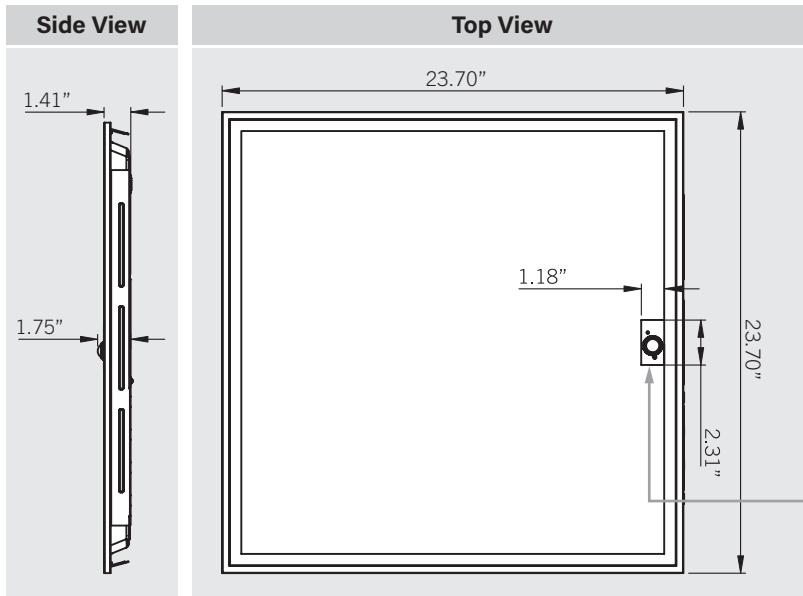
ELECTRICAL SPECIFICATIONS	
RF Transmit Power	8dBm
Wireless Frequency	2.4GHz
Wireless Range (Open Air)	100ft
Wireless Protocol	Bluetooth 4.2
Sensor Detection Height	16' max
Daylight Harvesting Range	100-1000 lux

PRECONFIGURED SETTINGS	
Photo Sensor	Enabled
Motion Sensitivity	100%
Motion Sensor	Enabled
Motion Mode	Occupancy
Hold Time	20m
Standby Time	1m
Standby Percentage	50%

SENSOR COVERAGE



PHYSICAL SPECIFICATIONS



WEIGHT INFORMATION

1 Piece	1 Carton
6.2 lbs	12.4 lbs

SMART **LOOP**
POWERED BY KEYSTONE



BPL-LED-22B-40PS-8CSA /FC2

BACKLIT LED PANEL LIGHT

ACCESSORIES

SENSORS

Field-Installable / Field-Use ONLY (purchased separately)

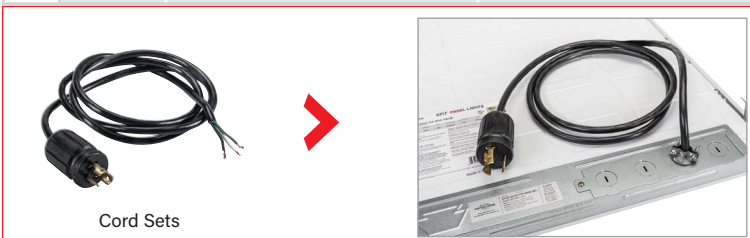
CATALOG NUMBER	DESCRIPTION	UPC	EASY CODE
KTSL-WS1-B-SG /G2	Bluetooth mesh wireless battery powered wall switch for SmartLoop system	843654141695	FYH-31



CORD SETS

Factory-Installable OR Field-Installable (field-installable purchased separately)

✓	SUFFIX*	CATALOG NUMBER	DESCRIPTION	UPC	EASY CODE
	/515P6	KT-CS-515P-6-18/3	Cord set for high bay; 125V NEMA 5-15P; straight blade plug; 6' SJTOW cable; 18/3 wire	843654140124	UKH-26
	/L715P10	KT-CS-L715P-10-16/3	Cord set for high bays; 277V NEMA L7-15P; twist lock plug; 10' SJTOW cable; 16/3 wire	843654140131	SFV-88
	/L615P10	KT-CS-L615P-10-16/3	Cord set for high bays; 250V NEMA L6-15P; twist lock plug; 10' SJTOW cable; 16/3 wire	843654140148	ZQS-05
	/L515P10	KT-CS-L515P-10-16/3	Cord set for high bays; 125V NEMA L5-15P; twist lock plug; 10' SJTOW cable; 16/3 wire	843654140155	GVH-22
	/L715P6	KT-CS-L715P-6-16/3	Cord set for high bays; 277V NEMA L7-15P; twist lock plug; 6' SJTOW cable; 16/3 wire	843654140162	DVU-44
	/L615P6	KT-CS-L615P-6-16/3	Cord set for high bays; 250V NEMA L6-15P; twist lock plug; 6' SJTOW cable; 16/3 wire	843654140179	LCW-66
	/L515P6	KT-CS-L515P-6-16/3	Cord set for high bays; 125V NEMA L5-15P; twist lock plug; 6' SJTOW cable; 16/3 wire	843654140186	POC-82
	/MC63	KT-MC-NP-6-18/3	MC cable whip for high bays; no plug; inners 1/2" strip on both ends; 6' metal-clad cable; 18/3 wire	843654134505	EYP-82
	/MC65	KT-MC-NP-6-18/5	MC cable whip for high bays; no plug; inners 1/2" strip on both ends; 6' metal-clad cable; 18/5 wire (dimming wires included)	843654134512	CBU-56
	/NP10	KT-CS-NP-10-16/3	Cord for high bays; no plug; inners 1/2" strip on both ends; 10' SJTOW cable; 16/3 wire	843654140193	YOH-90
	/NP6	KT-CS-NP-6-16/3	Cord for high bays; no plug; inners 1/2" strip on both ends; 6' SJTOW cable; 16/3 wire	843654140216	HUB-73
	/NP15	KT-CS-NP-15-16/3	Cord for high bays; no plug; inners 1/2" strip on both ends; 15' SJTOW cable; 16/3 wire	843654140209	EYD-18



* For factory installation of accessory, add suffix to fixture part number (see ordering examples and instructions on last page of spec sheet).
Note: For cord sets not listed here, please contact your Keystone sales rep.

(Accessories continued on next page)

BPL-LED-22B-40PS-8CSA /FC2

BACKLIT LED PANEL LIGHT

ACCESSORIES (continued)

EMERGENCY BACKUP

Factory-Installable OR Field-Installable (field-installable purchased separately)

✓	SUFFIX*	CATALOG NUMBER	DESCRIPTION	UPC	EASY CODE
	/EM5†	KT-EMRG-LED-5C-500-EN /DF	5W, 500 lumen Smart Safe emergency backup with dual flex cables	843654132433	RAR-74
	/EM12†	KT-EMRG-LED-12C-1200-EN /DF	12W, 1200 lumen Smart Safe emergency backup with dual flex cables	890949019900	YCV-23



5W, 500 lumen Battery Backup
KT-EMRG-LED-5C-500-EN /DF



12W, 1200 lumen Battery Backup
KT-EMRG-LED-12C-1200-EN /DF



* For factory installation of accessory, add suffix to fixture part number (see ordering examples and instructions on last page of spec sheet).
† Factory installation of emergency backup units will automatically include any relevant mounting bracket.

Field-Installable / Field-Use ONLY (purchased separately)

CATALOG NUMBER	DESCRIPTION	UPC	EASY CODE
KT-BPLED-EM-22/4-KIT	Emergency LED Backup Mounting Kit for Keystone Backlit Panels	843654128047	EIG-03



Emergency Backup Mounting
Bracket
KT-BPLED-EM-22/4-KIT



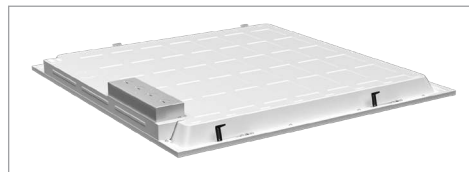
MOUNTS AND BRACKETS

Factory-Installable OR Field-Installable (field-installable purchased separately)

✓	SUFFIX*	CATALOG NUMBER	DESCRIPTION	UPC	EASY CODE
	/JBOX	KT-BPLED-JBOX-1	Larger J-Box add-on for LED Backlit Panels	843654128092	MYW-25



J-Box add-on
KT-BPLED-JBOX-2



* For factory installation of accessory, add suffix to fixture part number (see ordering examples and instructions on last page of spec sheet).

Field-Installable / Field-Use ONLY (purchased separately)

CATALOG NUMBER	DESCRIPTION	UPC	EASY CODE
KT-BPLED-SM-22-KIT /G2	Surface Mount Kit 2x2 Backlit panels	843654134543	CGY-52
KT-BPLED-CABLE-KIT	Aircraft cable hanging kit for LED Backlit fixtures	843654133423	JLB-77



Surface Mount Kit
KT-BPLED-SM-22-KIT /G2



Cable Mount Kit
KT-BPLED-CABLE-KIT



BPL-LED-22B-40PS-8CSA /FC2

BACKLIT LED PANEL LIGHT

ORDERING INFORMATION

CATALOG NUMBER	CARTON QTY.	UPC	EASY CODE
BPL-LED-22B-40PS-8CSA /FC2	2	843654151618	IWM-73

CATALOG NUMBER BREAKDOWN

BPL-LED-22B-40PS-8CSA /FC2

1	2	3	4	5	6	7	8	9	10
---	---	---	---	---	---	---	---	---	----

- 1 Backlit Panel
- 2 LED
- 3 2' x 2' Nominal Size
- 4 Style
- 5 Wattage
- 6 Wattage Selectable
- 7 80 CRI
- 8 CCT Selectable
- 9 CCT Designation
- 10 Motion Sensor

ORDERING EXAMPLES

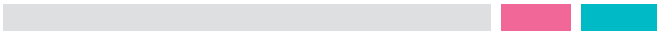
FIXTURE WITH MULTIPLE FACTORY-INSTALLED ACCESSORIES*

BPL-LED-22B-40PS-8CSA /FC2/L715P6/EM5/JBOX



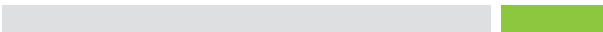
FIXTURE WITH MULTIPLE FACTORY-INSTALLED ACCESSORIES*

BPL-LED-22B-40PS-8CSA /FC2/EM5/JBOX



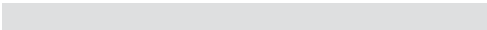
FIXTURE WITH TWO FACTORY-INSTALLED ACCESSORIES*

BPL-LED-22B-40PS-8CSA /FC2/L715P6



FIXTURE WITH NO FACTORY-INSTALLED ACCESSORIES

BPL-LED-22B-40PS-8CSA /FC2



*When ordering more than one factory-installed accessory, use multiple suffixes as shown in the ordering examples above.
Note: All accessories can also be ordered separately for field installation using just their regular Catalog Number, UPC, or Easy Code.

KEYSTONE FIXTURE

CATALOG NUMBER
BPL-LED-22B-40PS-8CSA /FC2

CORD SETS

SUFFIX	CATALOG NUMBER
<input checked="" type="checkbox"/> /L715P6	KT-CS-L715P-6-16/3

EMERGENCY BACKUP

SUFFIX	CATALOG NUMBER
<input checked="" type="checkbox"/> /EM5	KT-EMRG-LED-5C-500-EN /DF

MOUNTS AND BRACKETS

SUFFIX	CATALOG NUMBER
<input checked="" type="checkbox"/> /JBOX	KT-BPLED-JBOX-1