



DIRECT DRIVE D2
DOUBLE-ENDED LINE VOLTAGE LED TUBES

KT-LED25T8-96G-8XX-D2

T8 LED LAMP

DESCRIPTION

25W T8 LED | 3500–5000K | > 80 CRI | High-Efficiency | 8-Foot



LAMP TYPE: Linear
BULB TYPE: T8 LED
BASE TYPE: Fa8 (Single-Pin)
WATTAGE: 25W
COLOR TEMPERATURE: 3500–5000K
COLOR RENDERING INDEX (CRI): > 80
WARRANTY: 5 Years



PRODUCT FEATURES

- Replacement for conventional T8/T12 8-foot, single-pin fluorescent lamp
- Double-ended line voltage wiring: Connect power to each end for simplified installation
- 50,000+ hour lifetime
- Approximately 50% more energy efficient than standard F96T12 lamps
- Environmentally friendly: No mercury used
- NSF listed: NSF/ANSI Standard 2: Food equipment, splash zone (component level—not for direct food zone without additional fixture considerations)
- Compatible with KT-EMRG-LED-12-1200-AC and KT-EMRG-LED-12-1200-AC /DF LED emergency back ups
- Includes 1 C-clips to be installed with the lamps into the fixture ballast cover to prevent any potential undesired lamp twisting or sagging
- Frosted lens eliminates pixelation
- UL classified
- Operating Temperature: (–20°C/–4°F) (45°C/113°F)
- Working Humidity: 30%-85%
- Integral driver (isolated): Eliminates the need for external driver or ballast
- 140+ lumens per Watt
- Instant startup
- Not rated for use in Vapor Tight style fixtures
- Lamp is dimmable when used with an appropriate dimming accessory (purchased separately). Contact Keystone for more details to find out what is best for the intended application.

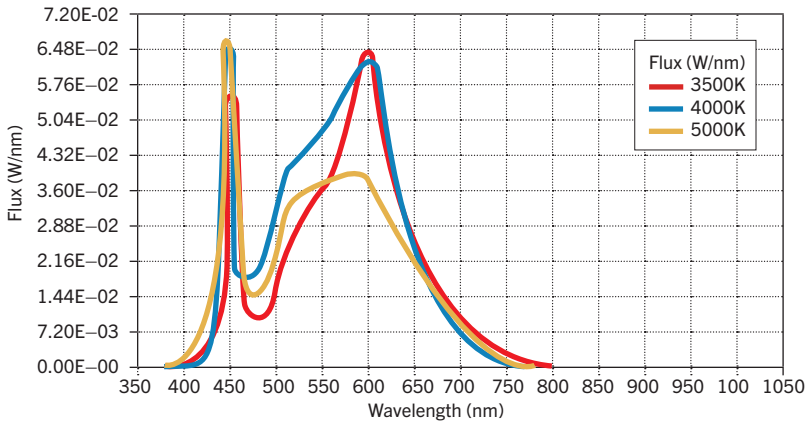
ELECTRICAL AND PERFORMANCE SPECIFICATIONS

Catalog Number	Input Voltage	Power Consumption	Color Temperature (CCT)	Luminous Flux	Efficacy	Beam Angle	Power Factor	Input Current	Rated Life
KT-LED25T8-96G-835-D2	120–277Vac	25W	3500K	3500 lm	145 lm/W	325°	>0.9	0.21A @ 120V 0.09A @ 277V	L70 (Hours) 50,000
KT-LED25T8-96G-840-D2			4000K						
KT-LED25T8-96G-850-D2			5000K						

KT-LED25T8-96G-8XX-D2

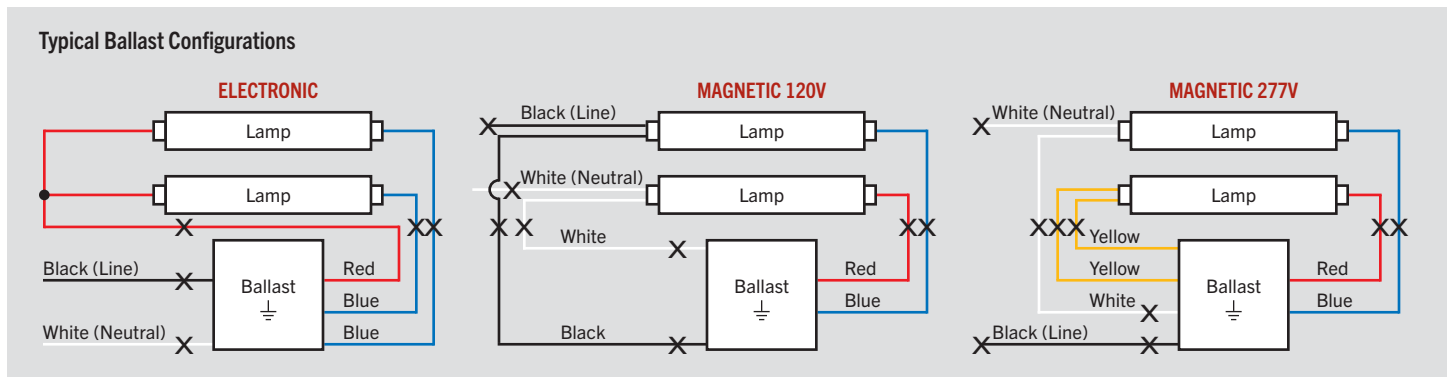
T8 LED LAMP

SPECTRAL DISTRIBUTION

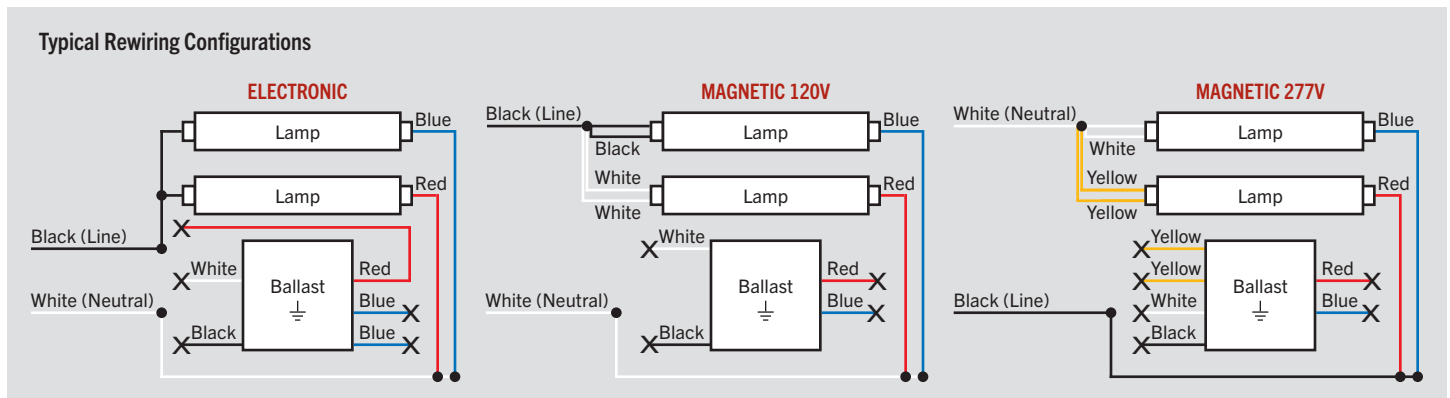


WIRING INSTRUCTIONS

1. Identify ballast configuration as shown below and cut all wires connected to the ballast accordingly.



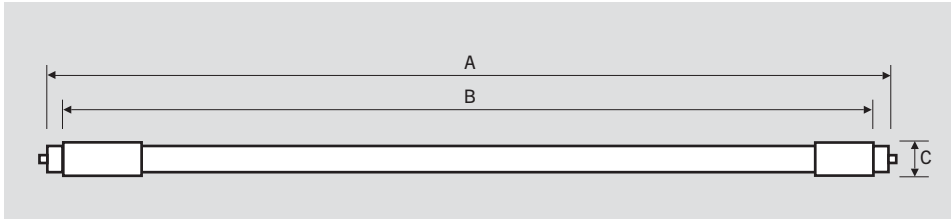
2. Confirm that the lampholders in the fixture are single-pin Fa8 lampholders. These DirectDrive LED tubes require single-pin Fa8 lampholders.
3. Rewire the fixture using existing lampholders, as shown below, according to the original ballast wiring configuration.



KT-LED25T8-96G-8XX-D2

T8 LED LAMP

PHYSICAL CHARACTERISTICS



LAMP DIMENSIONS

A (Body Length)	93.31"
B (Illuminated Length)	87.41"
C End Cap Diameter	1.31"
D Dimension	1.08"

NOMINAL LENGTH: 96"

BASE TYPE: Fa8 (Single-Pin)

ORDERING INFORMATION

ORDER CODE	PACK QTY.	EASY CODE	UPC
KT-LED25T8-96G-835-D2	10	SOL-72	843654139982
KT-LED25T8-96G-840-D2	10	GFM-45	843654139999
KT-LED25T8-96G-850-D2	10	UWM-31	843654140001

CATALOG NUMBER BREAKDOWN

KT-LED25T8-96G-8XX-D2

1 2 3 4 5 6 7 8 9

- | | |
|---------------------------|-----------------------|
| 1 Keystone Technologies | 6 Glass |
| 2 LED Lamp | 7 80 CRI |
| 3 Wattage | 8 Color Temperature |
| 4 Lamp Type | 9 Double Drive Series |
| 5 Nominal Length (Inches) | |