



# XFIT



## KT-FLED60-R1A-UNV-8CSB-VDIM-W

### COMPACT 60W GENERAL-PURPOSE LED FLOODLIGHT

#### DESCRIPTION

Compact 60W General-Purpose LED Floodlight | 120–277V  
Input | 3000–5000K | White Housing | Multiple Mounting Options

#### APPLICATION

Building or ground mount application for outdoor illumination (landscapes, display signage, loading docks, building façades, pathways, parking areas, and other general site lighting requirements)



**10 YEAR**  
LIMITED WARRANTY



#### PRODUCT FEATURES

- Keystone Color Select technology (3000/4000/5000K)
- Uniform, wide flood design (NEMA 7H x 7V distribution pattern)
- Heavy-duty, die cast aluminum housing featuring built-in glare visor and tempered glass lens
- Powered by Keystone 0–10V dimming LED driver
- Built-in dusk-to-dawn photocell behind translucent 3/4" threaded plug with anti-yellowing agent
- Heavy-duty 1/2" knuckle mount with 90° adjustment and yoke mount options included
- Ambient operating temperature: –30°C/–22°F to 45°C/113°F
- UL listed for wet locations, IP65
- 0–10V dimming, 10% min
- Power Factor: >0.95
- THD: <20%
- LED chip lifetime: L70 >100,000 hrs @ 25°C/77°F ambient fixture temp
- Meets FCC Part 15, Part B, Class A standards for conducted and radiated emissions
- 18" input cable, pre-stripped
- Fixture impact rating IK07

#### PERFORMANCE SPECIFICATIONS

Catalog Number	Wattage	Selectable CCT*	Lumens	Efficacy	Input Voltage	Housing Color	Optics Type	DLC	CRI	Metal Halide Equivalent
KT-FLED60-R1A-UNV-8CSB-VDIM-W	60W	3000K	7320 lm	122 lm/W	120–277V	White	7H x 7V	Yes	>80	250W MH
		4000K	8580 lm	143 lm/W						
		5000K	8040 lm	134 lm/W						

\* Color Uniformity: CCT (Correlated Color Temperature) range as per guidelines outlined in ANSI C78.377-2017

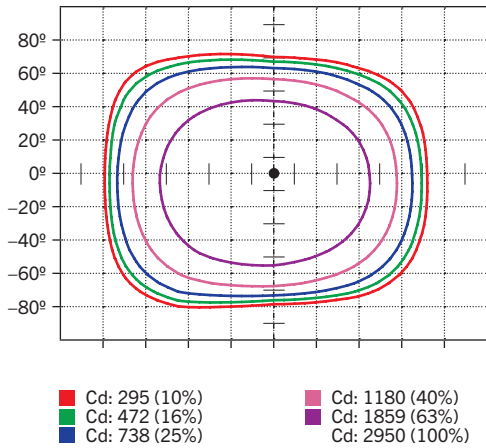


# KT-FLED60-R1A-UNV-8CSB-VDIM-W

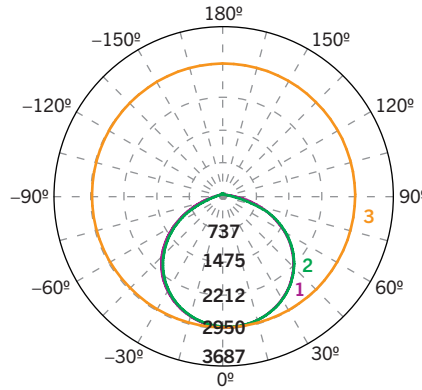
## COMPACT 60W GENERAL-PURPOSE LED FLOODLIGHT

### PHOTOMETRIC SPECIFICATIONS

#### ISOCANDELA PLOT



#### LUMINOUS INTENSITY DISTRIBUTION



Average diffuse angle (50%): 114.9°

1 Violet C0 – C180

2 Green C90 – C270

3 Orange G2

Unit: cd

#### FLUX DISTRIBUTION

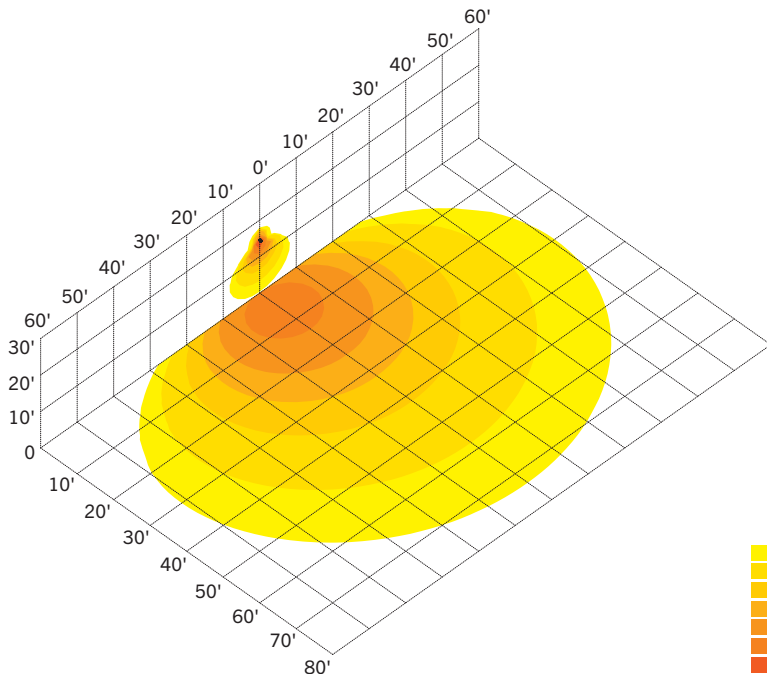
Zone	Lumens	% Luminaire
<b>Forward Light</b>	4,171 lm	50.8%
0°–30°	1,159 lm	14.1%
30°–60°	2,300 lm	28.0%
60°–80°	699 lm	8.5%
80°–90°	14 lm	0.2%
<b>Back Light</b>	3,981 lm	48.4%
0°–30°	1,146 lm	13.9%
30°–60°	2,200 lm	26.8%
60°–80°	624 lm	7.6%
80°–90°	11 lm	0.1%
<b>Up Light</b>	65 lm	0.8%
90°–100°	3 lm	0.0%
100°–180°	61 lm	0.7%

BUG* Rating	
Asymmetrical Luminaire Types	
Type I, II, III, IV	B3 U2 G2
Quadrilateral Symmetrical Luminaire Types	
Type V, Area Light	B3 U2 G1

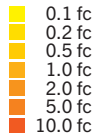
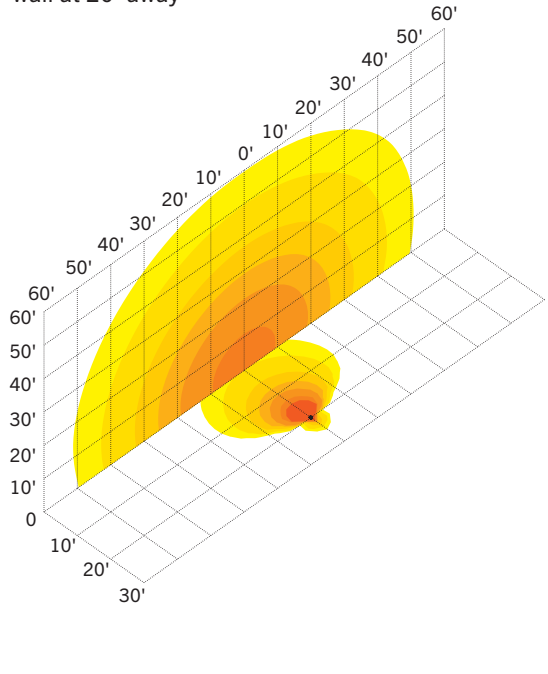
\* Backlight, Uplight, Glare

#### LIGHT DISTRIBUTION PATTERNS (Isometric view from above)

Building exterior mounted at 15', 30° below horizontal



Ground mounted at 6" above ground, 10° above horizontal, shining towards building exterior wall at 20' away



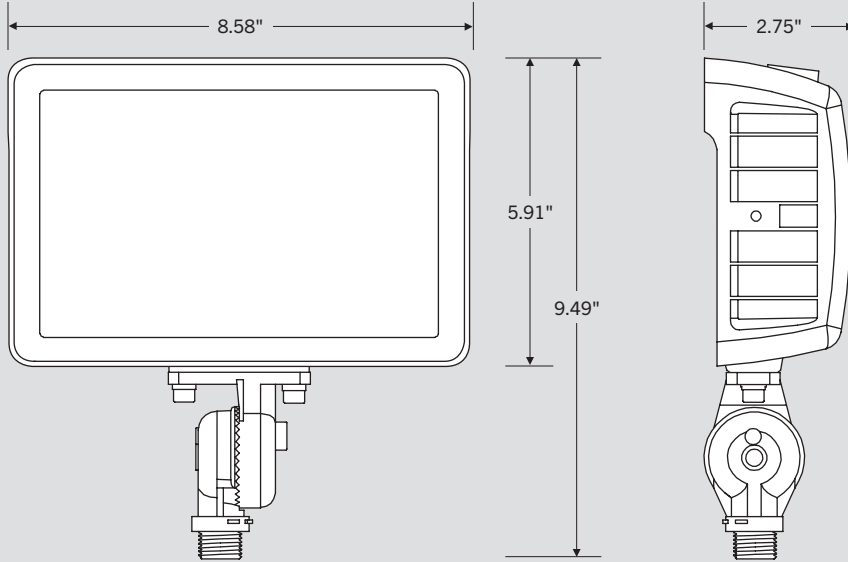


# KT-FLED60-R1A-UNV-8CSB-VDIM-W

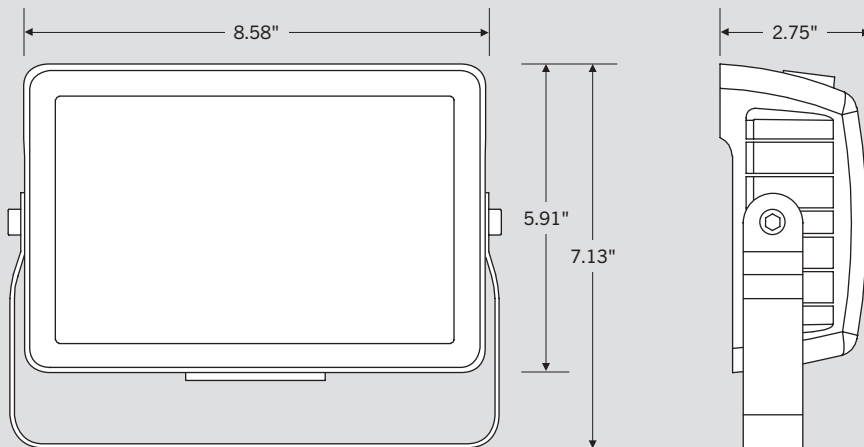
## COMPACT 60W GENERAL-PURPOSE LED FLOODLIGHT

### PHYSICAL SPECIFICATIONS

#### KNUCKLE MOUNT



#### YOKE MOUNT



	EPA
Mounted Vertical	0.42 sq/ft
Mounted Horizontal	0.20 sq/ft
Mounted 45°	0.44 sq/ft

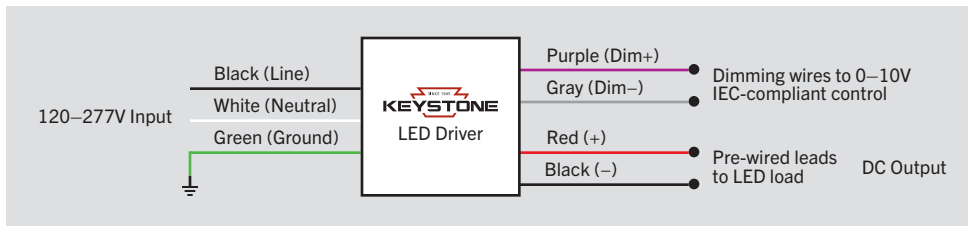


# KT-FLED60-R1A-UNV-8CSB-VDIM-W

## COMPACT 60W GENERAL-PURPOSE LED FLOODLIGHT

### GENERAL SETUP INSTRUCTIONS

#### GENERAL WIRING DIAGRAM



**Caution:** Before installing, make certain that AC power to the fixture is off.

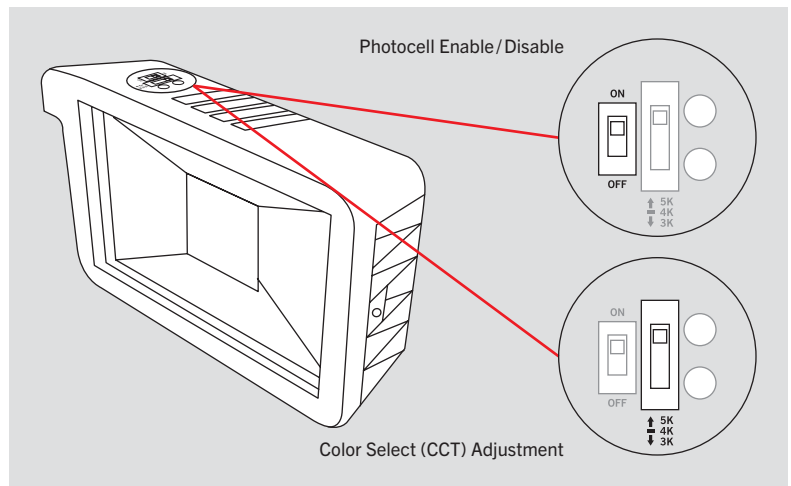
**Caution:** The electrical rating of this product is 120–277V. Installer must confirm that there is 120–277V at the fixture before installation.

#### PHOTOCELL ENABLE/DISABLE

This fixture is equipped with a dusk-to-dawn photocell behind the translucent knock-out (KO) cover. Adjust the dip switch to enable (ON) or disable (OFF) the photocell function (see illustrations to the right). Fixture comes pre-set with photocell enabled unless otherwise noted.

#### COLOR SELECT (CCT) ADJUSTMENT

This fixture is equipped with Color Select technology. There is an adjustable dip switch behind the translucent knock-out (KO) cover to change CCT between 5000K, 4000K, and 3000K (see illustrations to the right). Fixture comes preset at 5000K unless otherwise noted.

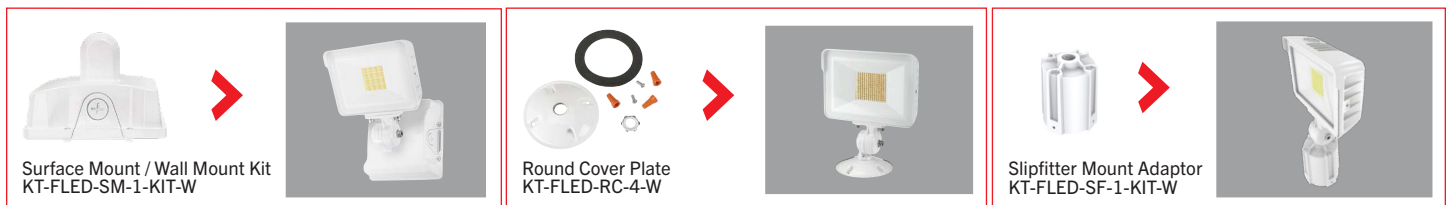


### ACCESSORIES (SOLD SEPARATELY)

#### MOUNTS AND BRACKETS

Field-Installable (field-installable options must be purchased separately)

✓	SUFFIX*	CATALOG NUMBER	DESCRIPTION	UPC	EASY CODE
	N/A	KT-FLED-SM-1-KIT-W	Surface Mount / Wall Mount Kit for Series 1 Flood Lights. Fits 15W thru 60W fixtures. Includes Mounting Hardware. White	843654140551	JNW-56
	N/A	KT-FLED-RC-4-W	Round Cover Plate for mounting Floodlights on 4" Round boxes. Includes Mounting Hardware. White	843654129174	UER-55
	N/A	KT-FLED-SF-1-KIT-W	Slip Fitter Mount Adaptor for 15W, 35W, and 60W Rectangular Series 1 LED Floodlight. White	843654153582	JJS-86





# KT-FLED60-R1A-UNV-8CSB-VDIM-W

## COMPACT 60W GENERAL-PURPOSE LED FLOODLIGHT

### ORDERING INFORMATION

CATALOG NUMBER	PACK QTY.	UPC	EASY CODE	DLC PRODUCT ID
KT-FLED60-R1A-UNV-8CSB-VDIM-W	1	843654128993	KCM-51	P5UROM5B
				S-J023RD
				S-UZ1GYC

### CATALOG NUMBER BREAKDOWN

# KT-FLED60-R1A-UNV-8CSB-VDIM-W

1
2
3
4
5
6
7
8
9
10
11
12
13

<p><b>1</b> Keystone Technologies</p> <p><b>2</b> Fixture Type</p> <p><b>3</b> LED Lamp</p> <p><b>4</b> Max Wattage</p> <p><b>5</b> Shape</p> <p><b>6</b> Series Designation</p> <p><b>7</b> Distribution</p> <p><b>8</b> Mounting</p> <p><b>9</b> CRI</p> <p><b>10</b> Color</p> <p><b>11</b> Color Select Designation</p> <p><b>12</b> Dimming</p> <p><b>13</b> Housing Color</p>	<p><b>2</b> Fixture Type</p> <table border="1" style="width: 100%; text-align: center;"> <tr> <td style="width: 30px;">F</td> <td>Flood</td> </tr> </table> <p><b>7</b> Distribution</p> <table border="1" style="width: 100%; text-align: center;"> <tr> <td style="width: 30px;">A</td> <td>NEMA 7H x 7V</td> </tr> </table> <p><b>10</b> Color</p> <table border="1" style="width: 100%; text-align: center;"> <tr> <td style="width: 30px;">CS</td> <td>Color Select</td> </tr> </table> <p><b>12</b> Dimming</p> <table border="1" style="width: 100%; text-align: center;"> <tr> <td style="width: 30px;">VDIM</td> <td>0-10V</td> </tr> </table>	F	Flood	A	NEMA 7H x 7V	CS	Color Select	VDIM	0-10V	<p><b>5</b> Shape</p> <table border="1" style="width: 100%; text-align: center;"> <tr> <td style="width: 30px;">R</td> <td>Rectangular</td> </tr> </table> <p><b>8</b> Mounting</p> <table border="1" style="width: 100%; text-align: center;"> <tr> <td style="width: 30px;">UNV</td> <td>Universal</td> </tr> </table> <p><b>11</b> Color Select Designation</p> <table border="1" style="width: 100%; text-align: center;"> <tr> <td style="width: 30px;">B</td> <td>3000/4000/5000K</td> </tr> </table> <p><b>13</b> Housing Color</p> <table border="1" style="width: 100%; text-align: center;"> <tr> <td style="width: 30px;"></td> <td>Bronze</td> </tr> <tr> <td style="width: 30px;">W</td> <td>White</td> </tr> </table>	R	Rectangular	UNV	Universal	B	3000/4000/5000K		Bronze	W	White	<p><b>6</b> Series Designation</p> <table border="1" style="width: 100%; text-align: center;"> <tr> <td style="width: 30px;">1</td> <td>General Purpose Floodlight</td> </tr> </table> <p><b>9</b> CRI</p> <table border="1" style="width: 100%; text-align: center;"> <tr> <td style="width: 30px;">8</td> <td>&gt;80</td> </tr> </table>	1	General Purpose Floodlight	8	>80
F	Flood																								
A	NEMA 7H x 7V																								
CS	Color Select																								
VDIM	0-10V																								
R	Rectangular																								
UNV	Universal																								
B	3000/4000/5000K																								
	Bronze																								
W	White																								
1	General Purpose Floodlight																								
8	>80																								

*\*Note: Special order housing color options have extended lead times.*