



MH-400A-480-KIT

400W METAL HALIDE

DESCRIPTION

400W Metal Halide



LAMP TYPE: 400W MH
INPUT VOLTAGE: Single Tap (480)
CIRCUIT TYPE: CWA

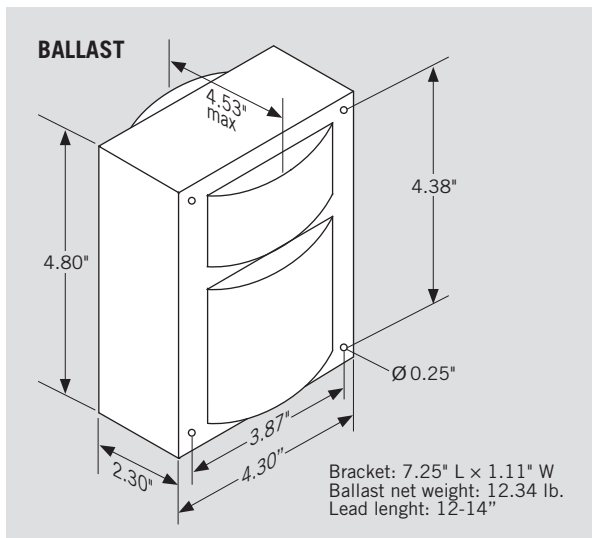
PRODUCT FEATURES

- ANSI designation: M59 or H33
- Line voltage: 480
- Regulation: 10%
- Frequency: 60 Hz
- Recommended fuse (A): 6
- Circuit type: CWA
- Insulation class: 180°C/356°F
- Capacitor value: 24 MF
- Capacitor voltage rating: 400 V
- Capacitor temperature rating: 90°C/194°F
- Winding materials: Cu/Al
- Lamp starter: N/A
- Agency certification: RU, cRU
- Maximum distance to lamp: N/A
- 2 Year Warranty

ELECTRICAL CHARACTERISTICS

Line Voltage	Power Factor	Line Current			Input Power	Open Circuit Voltage	Minimum Start Temp	UL Temp Code
		Operating	Open Circuit	Starting				
480V	High	0.99A	1.06A	0.86A	413W	312V	-30°C/-22°F	D

PHYSICAL SPECIFICATIONS

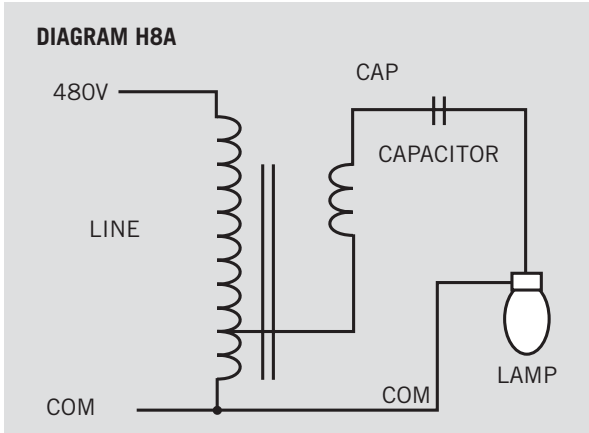




MH-400A-480-KIT

400W METAL HALIDE

WIRING SPECIFICATIONS



ORDERING INFORMATION

ORDER CODE	PACK QTY.	UPC	EASY CODE
MH-400A-480-KIT	1	TBD	OHW-78

CATALOG NUMBER BREAKDOWN

MH-400A-480-KIT

1 **2** **3** **4** **5**

- 1** Metal Halide
- 2** Input Power
- 3** CWA Circuit
- 4** 480V, Single Tap
- 5** HID Replacement Kit