



# EXTERNAL DRIVE LED

TYPE C LED TUBES

## KT-LED15T5HO-36G-8XX-E / G2

T5HO LED LAMP

### DESCRIPTION

15W T5 LED Tube | Type C | 3500-5000K | > 82 CRI | 0-10V Dimming



RoHS Compliant



**10 YEAR LIMITED WARRANTY**

<b>LAMP TYPE:</b> Linear
<b>BULB TYPE:</b> T5 LED
<b>BASE TYPE:</b> G5
<b>DIMMING TYPE:</b> 0-10V
<b>WATTAGE:</b> 15.5W
<b>LAMP INPUT VOLTAGE:</b> 36-45Vdc
<b>COLOR TEMPERATURE:</b> 3500-5000K
<b>COLOR RENDERING INDEX (CRI):</b> > 82



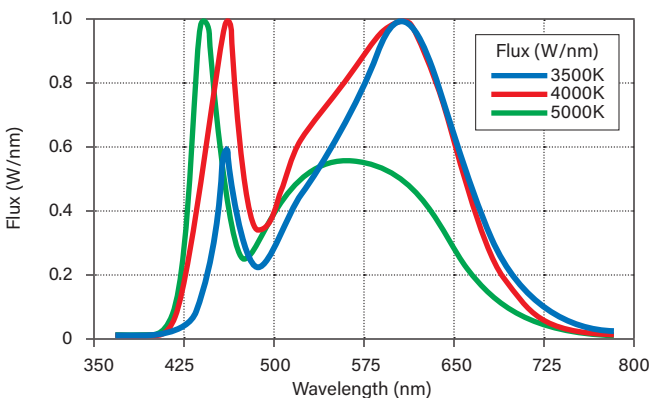
### PRODUCT FEATURES

- UL Type C LED tubes, powered by Keystone Type C LED drivers
- UL Classified Std. 1598C
- Glass construction with metal end caps
- Operating temperature: -20°C/-4°F to 45°C/113°F
- THD <15% at full driver load
- PF > 0.90 at full driver load
- 0-10V dimmable
- 70,000+ hours lifetime
- Keystone tube and driver pairing wires either single-ended or double-ended. See wiring diagrams for details and common ballast retrofit scenarios
- Low optical flicker

### LAMP SPECIFICATIONS

Catalog Number	Color Temp.	Driver: KTLD-2LT5HO-UV-15C-VDIM /G2						Driver: KTLD-4LT5HO-UV-15C-VDIM /G2						
		1 Lamp			2 Lamps			3 Lamps			4 Lamps			
		Nominal Input Power	Nominal Lumens	Nominal Efficacy	Nominal Input Power	Nominal Lumens	Nominal Efficacy	Nominal Input Power	Nominal Lumens	Nominal Efficacy	Nominal Input Power	Nominal Lumens	Nominal Efficacy	Power Factor
KT-LED15T5HO-36G-835-E /G2	3500K	18W	2050 lm	114 lm/W	36W	4100 lm	114 lm/W	54W	6150 lm	114 lm/W	72W	8200 lm	114 lm/W	> 0.9
KT-LED15T5HO-36G-840-E /G2	4000K	18W	2100 lm	117 lm/W	36W	4200 lm	117 lm/W	54W	6300 lm	117 lm/W	72W	8400 lm	117 lm/W	> 0.9
KT-LED15T5HO-36G-850-E /G2	5000K	18W	2100 lm	117 lm/W	36W	4200 lm	117 lm/W	54W	6300 lm	114 lm/W	72W	8400 lm	117 lm/W	> 0.9

### SPECTRAL DISTRIBUTION



### RATED LIFE

L70 (Hours)	70,000
-------------	--------

**BEAM ANGLE:** 160°

**VISIBLE LIGHT AREA:** 325°

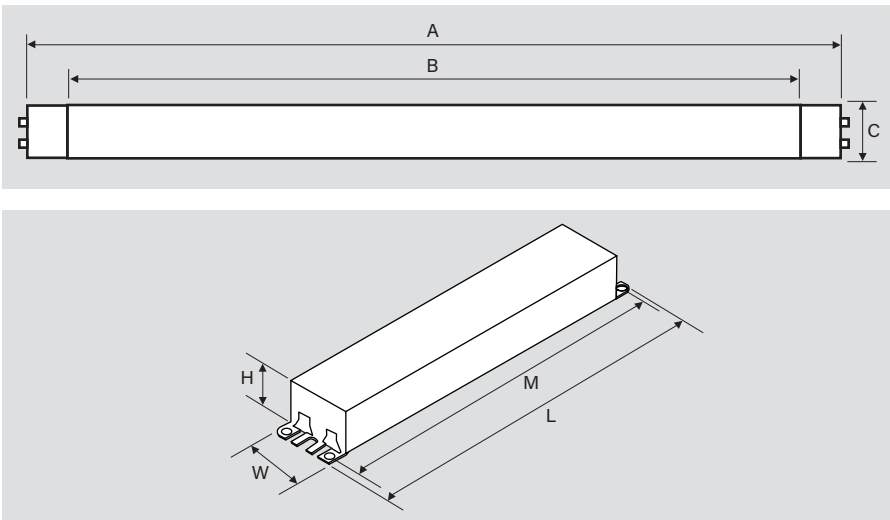
# KT-LED15T5HO-36G-8XX-E / G2

## T5HO LED LAMP

**DRIVER SPECIFICATIONS**

Catalog Number	Description	Dimensions
KTLD-2LT5HO-UV-15C-VDIM / G2	Driver for (2) 2' T5HO Type C lamps; 120-277V input, 0-10V dimming	1.10" x 1.32" x 9.53"
KTLD-4LT5HO-UV-15C-VDIM / G2	Driver for (4) 2' T5HO Type C lamps; 120-277V input, 0-10V dimming	1.24" x 1.61" x 9.69"

**PHYSICAL CHARACTERISTICS**



**LAMP DIMENSIONS**

A (Body Length)	33.49"
B (Illuminated Length)	33.43"
C (Diameter)	0.67"

**NOMINAL LENGTH: 36"**

**BASE TYPE: G5**

**DRIVER DIMENSIONS**

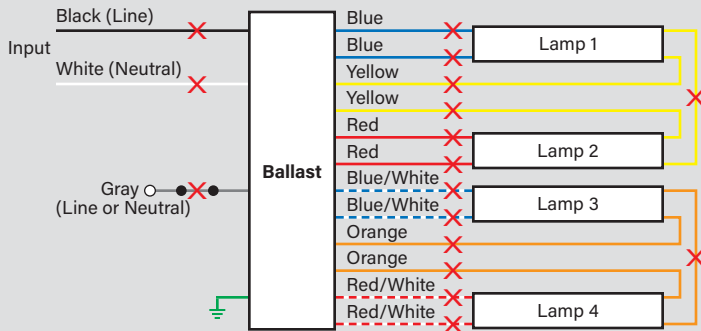
KTLD-2LT5HO-UV-15C-VDIM / G2		KTLD-4LT5HO-UV-15C-VDIM / G2	
L (Length)	9.53"	L (Length)	9.69"
W (Width)	1.32"	W (Width)	1.61"
H (Height)	1.10"	H (Height)	1.24"
M (Mounting)	8.94"	M (Mounting)	9.09"

**WIRING INSTRUCTIONS**

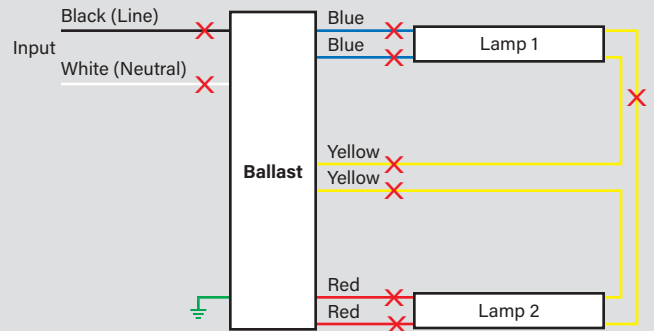
1. Shut off power.
2. Remove existing fluorescent tube(s) and diffuser (if applicable).
3. Open ballast compartment cover, cut all wires (as shown below), and remove existing ballast. Disconnect starter (if applicable).

**TYPICAL BALLAST CONFIGURATIONS**

**4-Lamp Wiring**



**2-Lamp Wiring**



(continued on page 3)

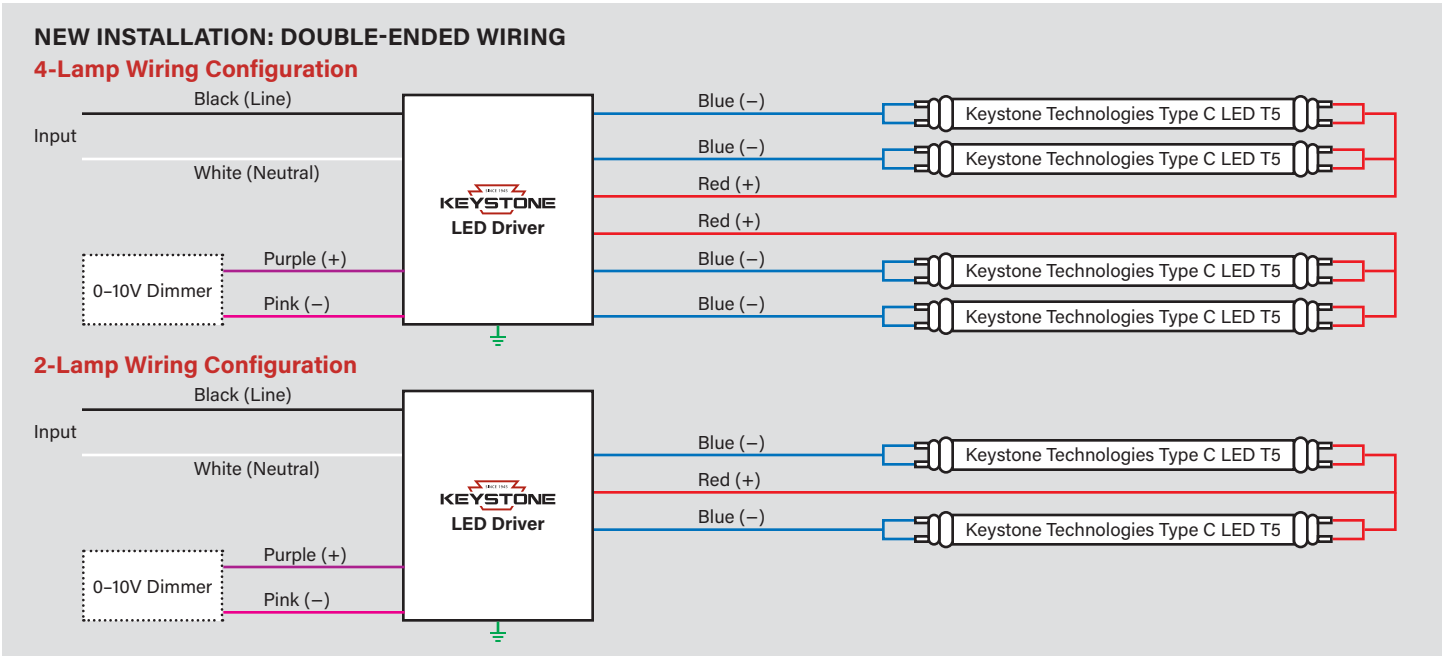
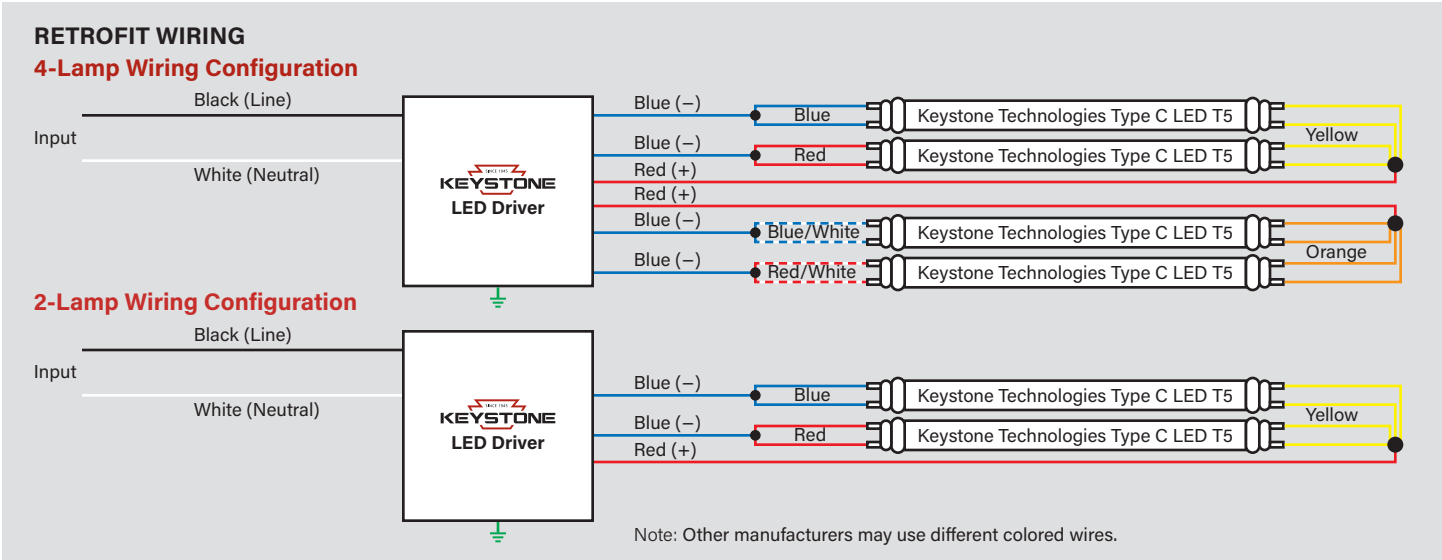


# KT-LED15T5HO-36G-8XX-E /G2

## T5HO LED LAMP

**WIRING INSTRUCTIONS** (continued)

4. Check the mounting holes of ballast to see whether they are suitable to install LED driver. If not, drill new holes for mounting. Install LED driver to luminaire using screws.
5. Wire according to diagrams (as shown below). **Note: Do not leave any loose wires exposed.**



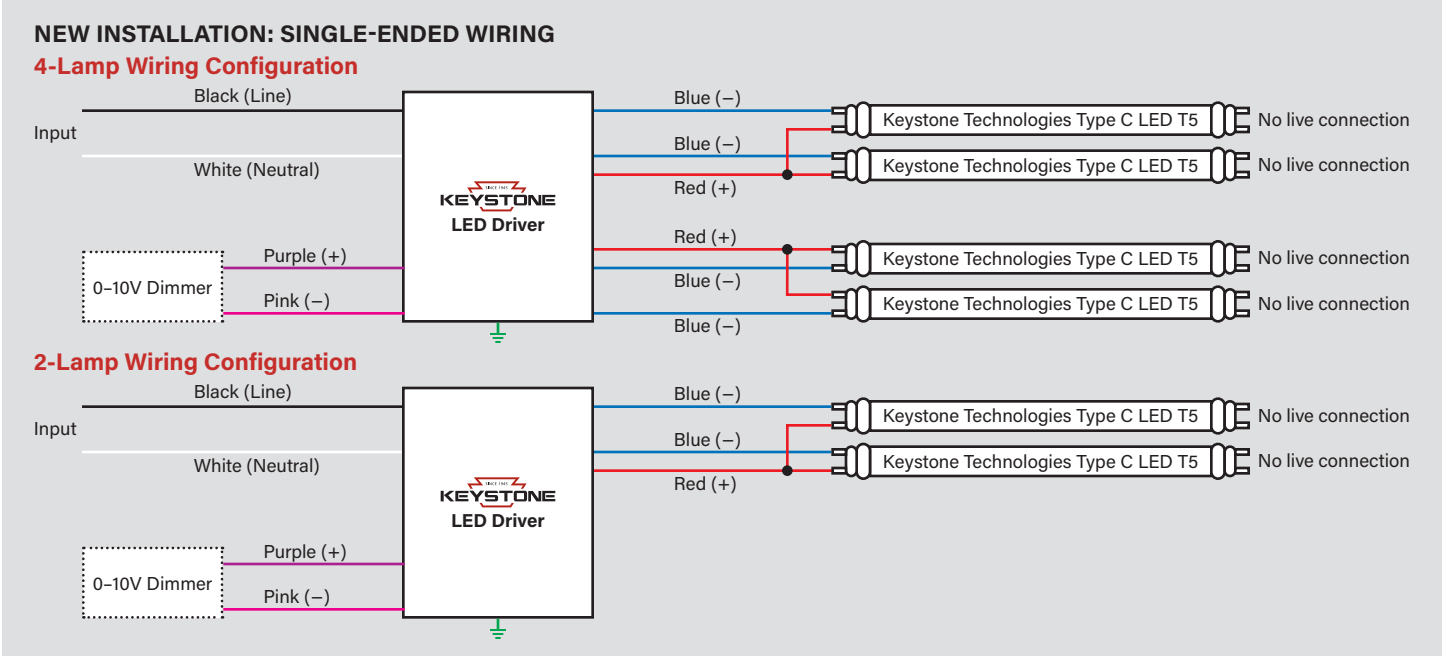
(continued on page 4)



# KT-LED15T5HO-36G-8XX-E /G2

## T5HO LED LAMP

### WIRING INSTRUCTIONS (continued)



Note: In accordance with NEC-20 410.69 2022, all 0-10V negative wires have been updated from gray to pink, Please contact Keystone for details.

6. Close compartment cover and make sure live parts are not accessible. Affix field-applied label in a visible section inside the luminaire.
7. Install the LED tubes and cover the diffuser (if applicable).
8. Turn on power and verify that the tubes are working correctly. **If not, immediately turn off power and contact Keystone Technologies.**

### ORDERING INFORMATION

ORDER CODE	PACK QTY.	UPC	EASY CODE
KT-LED15T5HO-36G-835-E /G2	25	843654141244	EJP-38
KT-LED15T5HO-36G-840-E /G2	25	843654141251	ICR-15
KT-LED15T5HO-36G-850-E /G2	25	843654141268	YFK-56

### CATALOG NUMBER BREAKDOWN

# KT-LED15T5HO-36G-8XX-E /G2

- 1
- 2
- 3
- 4
- 5
- 6
- 7
- 8
- 9
- 10

- 1 Keystone Technologies
- 6 Glass Construction
- 2 LED Lamp
- 7 CRI
- 3 Wattage
- 8 Color Temperature
- 4 Lamp Type
- 9 External Drive Series
- 5 Nominal Length (Inches)
- 10 Generation 2