

KT-LED6PAR20-F-9XX /G2

50W REPLACEMENT LAMP

DESCRIPTION

6.5W PAR20 Lamp | 2700–5000K |
 ≥ 90 CRI | Standard Long Neck Flood



Enclosed
Fixture Rated



LAMP TYPE: PAR20

BASE TYPE: E26 (Medium)

WATTAGE: 6.5W

COLOR TEMPERATURE: 2700–5000K

COLOR RENDERING INDEX (CRI): > 90

WARRANTY: 3 Years

RATED LIFE: L70 (25,000 Hours)

TYPICAL APPLICATIONS

- Track Lighting
- Display
- Flood and Spot Lighting
- Outdoor fixtures (with suitable protection from the elements)

PRODUCT FEATURES

- 80%+ energy savings and less heat generation vs legacy equivalents
- 25,000 hr lifetime means fewer replacements and lower maintenance cost
- Precision crafted optics for beam angle control
- Durable plastic housing for lower risk of breakage
- ANSI compliant construction ensures fit for intended applications
- Suitable for use in enclosed, recessed fixtures
- Suitable for dry, damp, and wet locations
- Suitable for use with dimmers
- PF > 0.90
- Operating temperature range: 4°F/–20°C to 95°F/35°C
- Complies with FCC Part 15
- Title 20 compliant
- Title 24 JAB compliant (except 5000K lamps)

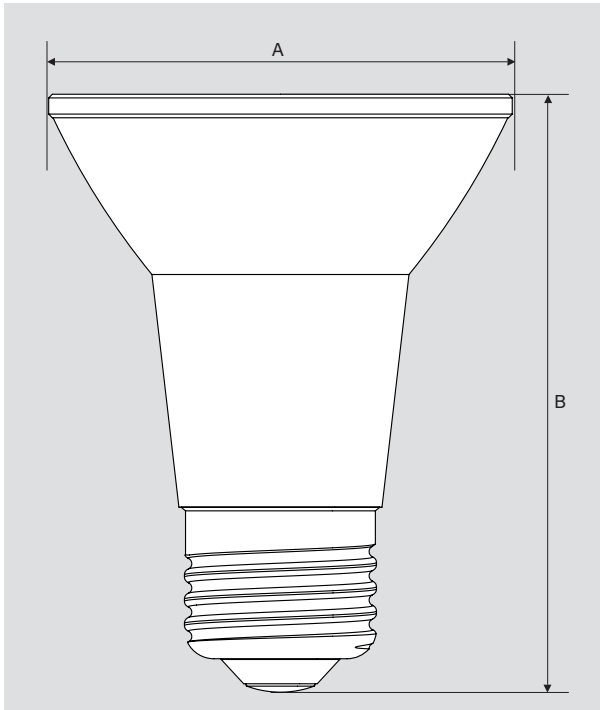
PERFORMANCE SPECIFICATIONS

Keystone Catalog Number	Base Type	Rated Lamp Wattage	Legacy Equivalent Wattage	Color Temp	Lumens	Efficacy	Input Voltage	CRI	Beam Angle	Dimmable
KT-LED6PAR20-F-927 /G2	E26	6W	50W halogen	2700K	500	83 lm/W	120V	≥90	40°	Yes
KT-LED6PAR20-F-930 /G2	E26	6W	50W halogen	3000K	500	83 lm/W	120V	≥90	40°	Yes
KT-LED6PAR20-F-940 /G2	E26	6W	50W halogen	4000K	500	88 lm/W	120V	≥90	40°	Yes
KT-LED6PAR20-F-950 /G2	E26	6W	50W halogen	5000K	500	88 lm/W	120V	≥90	40°	Yes

KT-LED6PAR20-F-9XX /G2

50W REPLACEMENT LAMP

PHYSICAL SPECIFICATIONS



LAMP DIMENSIONS

A (Diameter)	2.48"
B (Length)	3.19"

BASE TYPE: E26 (Medium)

PACKAGING

Carton Quantity	72 pcs
Carton Dimensions	8.31" x 19.37" x 8.66"
Carton Weight	13.5 lbs

ORDERING INFORMATION

ORDER CODE	EASY CODE	UPC
KT-LED6PAR20-F-927 /G2	FTS-47	843654150819
KT-LED6PAR20-F-930 /G2	NTZ-07	843654150826
KT-LED6PAR20-F-940 /G2	EKY-71	843654150833
KT-LED6PAR20-F-950 /G2	YNB-16	843654150840

CATALOG NUMBER BREAKDOWN

KT-LED6PAR20-F-9XX /G2

1 2 3 4 5 6 7 8

- 1 Keystone Technologies
- 2 LED Lamp
- 3 Wattage
- 4 Lamp Shape
- 5 Standard Flood
- 6 90 CRI
- 7 CCT
- 8 Second Generation