



KTL-GXPLS-254-GXXX COMPACT UV-C GERMICIDAL LAMPS

DESCRIPTION

Compact UV-C Germicidal Lamp | 2-Pin Base | 254nm

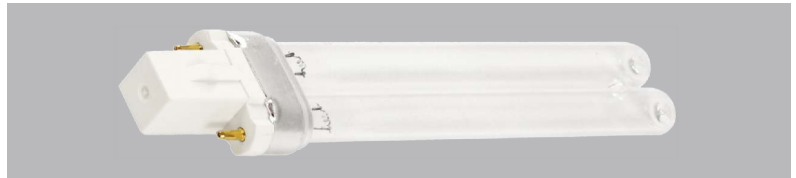
RoHS
Compliant

1 YEAR
WARRANTY



APPLICATION

For use in fixtures specifically designed for disinfection purposes using UV-C 254nm light sources (water purification, HVAC air handling, food processing, clean room, and other general sterilization and disinfection needs)



PRODUCT FEATURES

- Emits short-wave UV-C radiation with a peak at 253.7nm
- UV-C radiation which has been proven to effectively inactivate various tested pathogens*
- Special glass filters out 185nm ozone forming radiation
- Industry standard dimensions allow for use in a wide range of existing UV-C fixture platforms
- Low mercury content

*Sources: 1. Reed, N.G. 2010. The history of ultraviolet germicidal irradiation for air disinfection. Public Health Reports January–February, 125(1):15–27;
2. 2019 ASHRAE Handbook, Chapter 62, Ultraviolet air and surface treatment

LAMP PERFORMANCE AND OPERATING SPECIFICATIONS

Catalog Number	Nominal Wattage	Operating Voltage	Nominal Lamp Current	Nominal UV Output	Peak Wave Length	Lamp Length	Base Type	Average Lifetime
KTL-G5PLS-254-G23	5W	34V	180mA	1.1W	254nm	3.35 in (85 mm)	G23	~8000+ hrs
KTL-G9PLS-254-G23	9W	60V	170mA	2.4W	254nm	5.71 in (145 mm)	G23	~8000+ hrs
KTL-G13PLS-254-GX23	13W	60V	290mA	3.4W	254nm	6.50 in (165 mm)	GX23	~8000+ hrs

UV-C LAMP PAIRING

BALLAST OPTIONS REFERENCE CODE

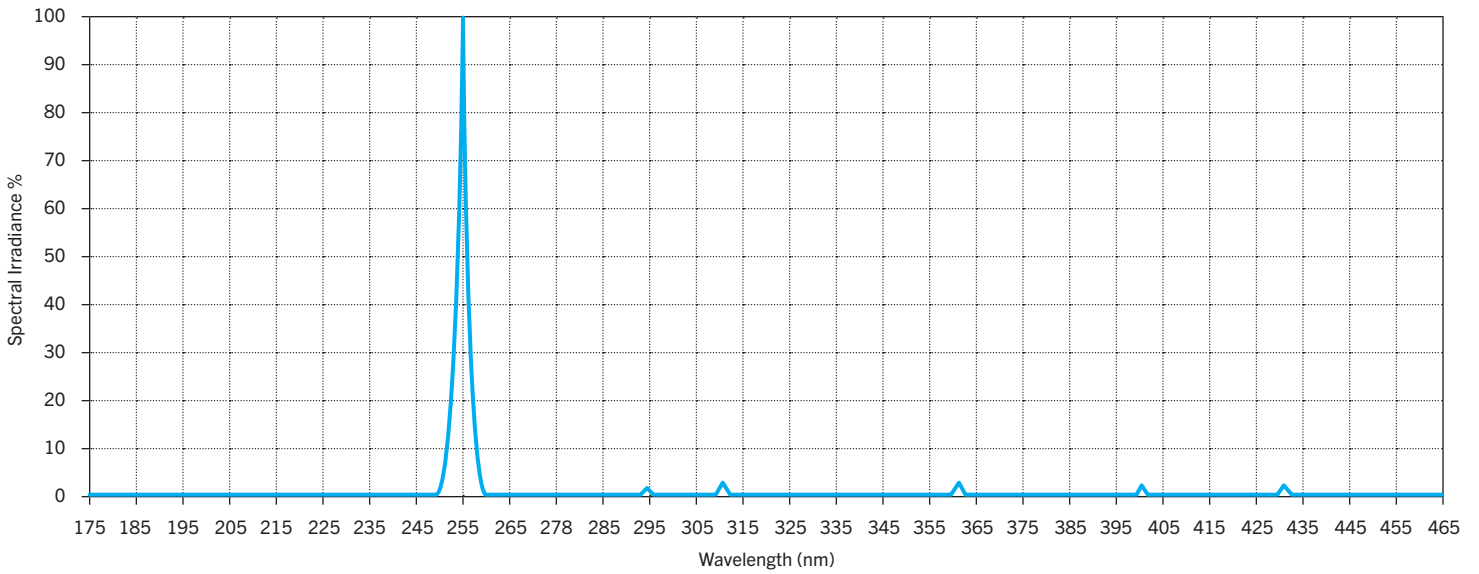
Lamp Catalog Number	1	Output Current	2	Output Current	3	Output Current
KTL-G5PLS-254-G23	H (1)	165mA	—	—	—	—
KTL-G9PLS-254-G23	H (1)	127mA	—	—	—	—
KTL-G13PLS-254-GX23	I (1)	287mA	—	—	—	—

COMPATIBLE BALLASTS FOR 2-PIN LAMPS

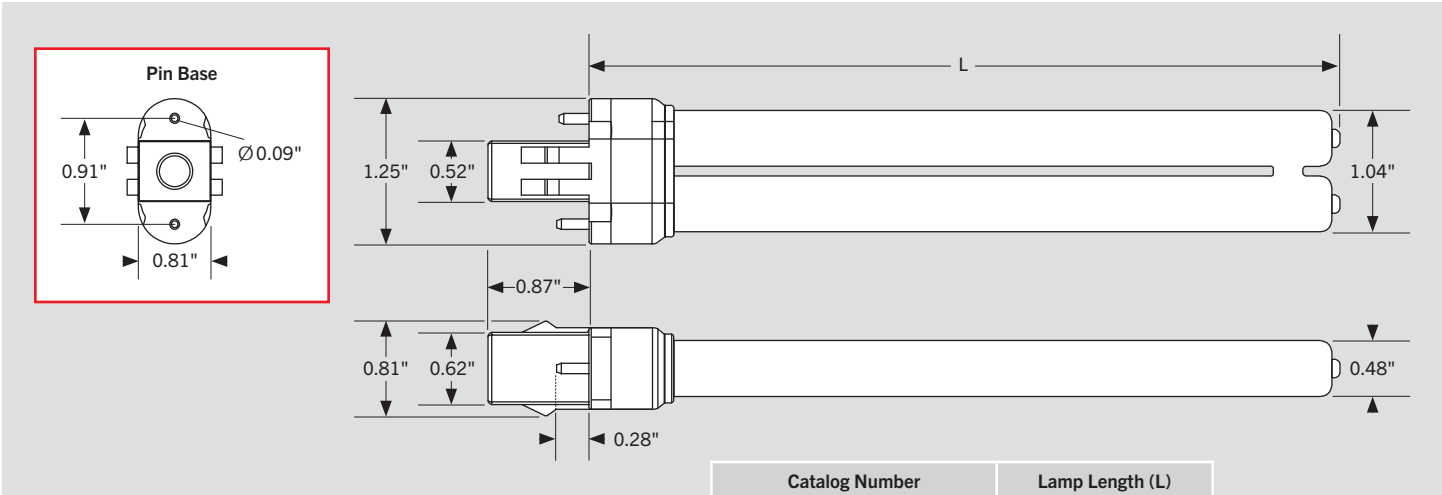
Ballast Ref.	Ballast Catalog Number	Generic Lamp Description
H	CC579TP	5–9W Core and Coil Magnetic Ballast for 2-pin lamps
I	CC1322MTP	13W Core and Coil Magnetic Ballast for 2-pin lamps

KTL-GXPLS-254-GXXX
COMPACT UV-C GERMICIDAL LAMPS

RELATIVE SPECTRAL ENERGY DISTRIBUTION



PHYSICAL SPECIFICATIONS



Catalog Number	Lamp Length (L)
KTL-G5PLS-254-G23	3.35 in (85 mm)
KTL-G9PLS-254-G23	5.71 in (145 mm)
KTL-G13PLS-254-GX23	6.50 in (165 mm)



KTL-GXPLS-254-GXXX

COMPACT UV-C GERMICIDAL LAMPS

ORDERING INFORMATION

ORDER CODE	CTN QTY.	UPC	Easy Code
KTL-G5PLS-254-G23	50	843654135922	VZX-00
KTL-G9PLS-254-G23	50	843654135939	YHS-94
KTL-G13PLS-254-GX23	50	843654135946	ZID-26

CATALOG NUMBER BREAKDOWN

KTL-GXPLS-254-GXXX

1
2
3
4
5
6

- 1** Keystone Technologies Lamp
- 2** Germicidal Lamp
- 3** Nominal Wattage
- 4** Lamp Type/Shape
- 5** Output Wavelength
- 6** Pin/Base Configuration

6 Pin/Base Configuration

DE	Double-Ended
4P	4-Pin Single-Ended
GXXX	G23 or GX23
2G11	2G11

DISCLAIMERS

- **UV-C RISK GROUP 3** (per ANSI/IESNA RP-27.3-96)
- **WARNING:** These lamps emit high power UV radiation. Avoid eye and skin exposure to unshielded product. Follow all installation instructions and user manuals.
- **THIS PRODUCT CAN CAUSE INJURY IF IMPROPERLY USED.** Do not attempt to look at the lamp during operation.
- UV-C radiation is harmful to the skin and eyes. Ensure people and animals avoid direct exposure to UV-C. When installing the lamps, make sure the devices installation manual is followed and lamps are not switched on during the installation process. Follow all warning statements on the lamp and device packaging.
- Materials that are exposed to UV-C for a long time may become damaged and/or discolored. Take care to prevent paintings, artwork, plants, and other objects from exposure to avoid damage.
- Use only in products specially designed to accept UV-C lamps. Lamps should be used in an enclosed environment and/or within specially designed devices to ensure users and/or occupants are always shielded from the radiation.
- Do not install these lamps in standard fluorescent fixtures or use for general lighting applications.

With regards to the effectiveness in the inactivation of certain viruses, bacteria, fungi, or other harmful pathogens or micro-organisms: Keystone Technologies, LLC does not promise or warrant that the use of the UV-C lamps described here will protect any user (either direct or indirect) from or prevent infection and/or contamination with any viruses, bacteria, fungi, or other harmful pathogens or micro-organisms. The UV-C lamps are NOT approved or certified as a medical device by the FDA or any other regulatory body. As such, they are not intended for use to disinfect medical devices or equipment without further fixture level certifications. In addition to and without limitation of any exclusions or limitations of liability of Keystone Technologies, LLC as set forth in any agreement for the sale, distribution or otherwise making available of the UV-C lamps and power supplies, Keystone shall have no responsibility or liability whatsoever for any claim or damage that may arise from or relate to any use of the UV-C lamps outside of their intended use or contrary to their installation and operation instructions, each as described in this document, the user manuals and/or the mounting instructions.