



COMPACT ROUND LED HIGH BAY FIXTURE

INSTALLATION INSTRUCTIONS

PLEASE FIND A QUALIFIED ELECTRICIAN FOR INSTALLATION. Please read the instructions before you install and use the fixture.

APPLICATION

Used for commercial and industrial high bay lighting applications (including warehouses, factories, workshops, highway toll stations, gas stations, exhibition halls, gymnasiums, supermarkets, and other general area lighting requirements).

SAFETY AND ELECTRICAL PARAMETERS

Warning

- To reduce the risk of death, personal injury or property damage from fire, electric shock, falling parts, cuts/abrasions, and other hazards, read all warnings and instructions included with and or the fixture box and fixture labels.
- Before installing, servicing, or performing routine maintenance upon this equipment, follow these general precautions.
- Commercial installation, service, and maintenance of luminaires should be performed by a qualified licensed electrician.
- If you are unsure about the installation or maintenance of the luminaires, consult a qualified licensed electrician. **Please abide by all relevant country, regional and local code requirements and regulations when installing this luminaire.** Wiring must be in accordance with NEC and all applicable local codes.
- Do not make or alter any unnecessary holes in an enclosure of wiring or electrical components during the installation.

Warning

- Turn off electrical power at the fuse or circuit breaker box before wiring fixture to the pole/site/building power.
- Turn off the electrical power when you perform any maintenance.
- Verify that supply voltage is correct by comparing it with the luminaire label information. Do not install with supply voltage that exceeds the rated input voltage of the luminaire.
- All wiring connections should be capped with UL approved wire connectors.

Caution

- Avoid direct eye exposure to the light source while it is on.
- Account for small parts and destroy/recycle packaging material, as these may be hazardous to children.
- Risk of Burn. Disconnect power and allow fixture to cool before handling/servicing.

Notice

- All fixture installs must be properly grounded.
- Minimum of 75°C/167°F supply conductors.
- Specifications and dimensions subject to change without notice. Consult Keystone with any questions or concerns.
- Fixture is IP65 Rated. Suitable for WET LOCATION.
- Ensure ambient operating temperature is maintained:
 - without sensor: –40°C/–40°F to 50°C/122°F
 - with sensor: –25°C/–13°F to 50°C/122°F
 Exceeding these temperature ranges will void warranty and may reduce lifetime or cause performance issues.

- Inspect fixture for any damages before installing. If there is any damage, please do not install and contact Keystone or authorized distributor for resolution.

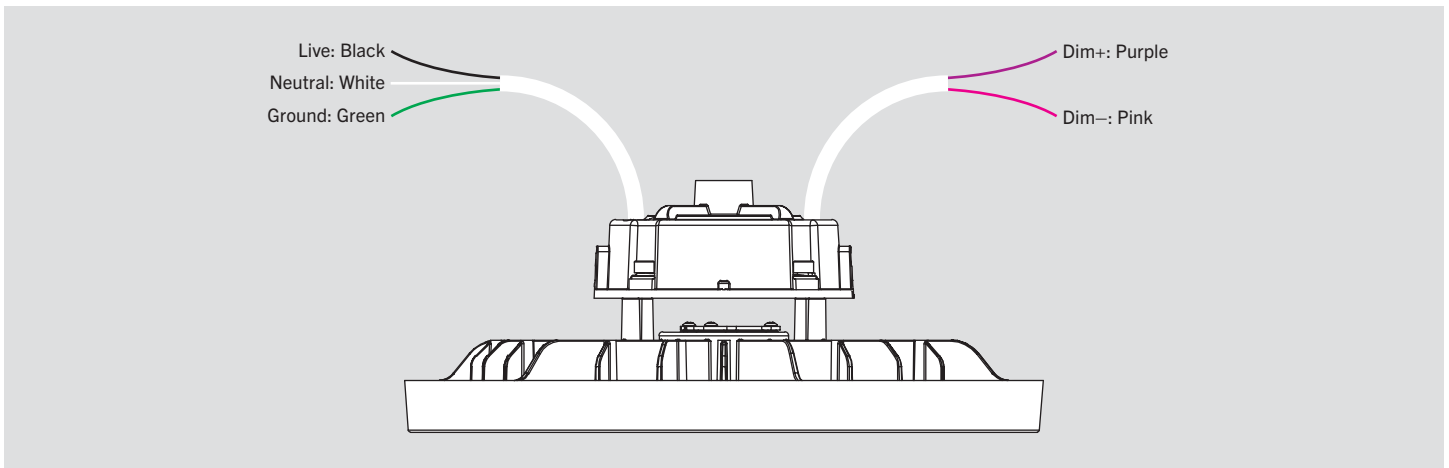
COMPONENTS INCLUDED IN KIT

Part	Quantity
LED high bay fixture	1
Ring-bolt mounting hardware	1
Instruction sheet	1

Caution: Before installing, make certain that AC power to the fixture is off.

GENERAL SETUP INSTRUCTIONS

WIRING DIAGRAM



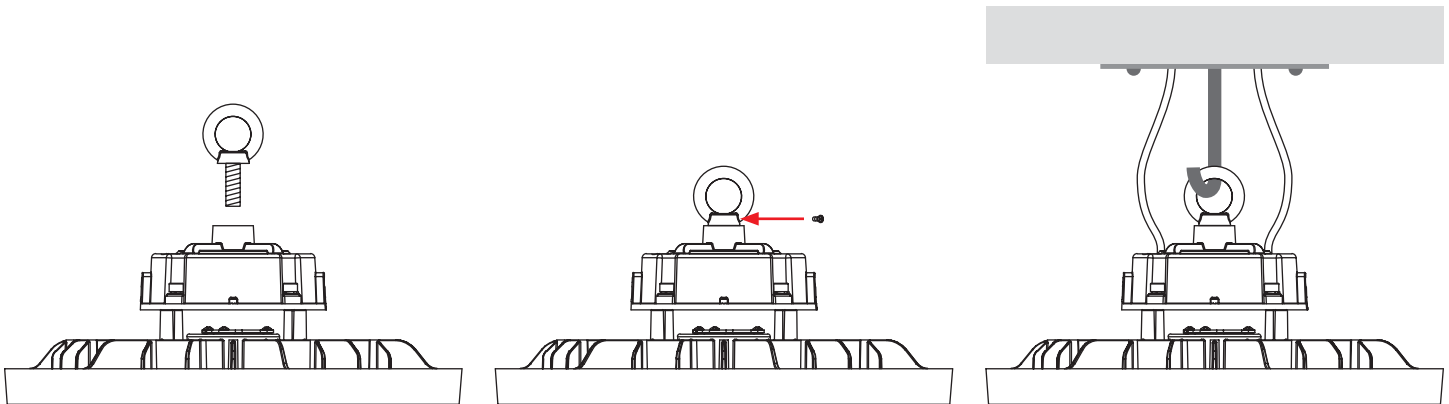
- All fixtures come pre-wired. Make input connections as needed and ensure connections are protected from exposure to the elements.
- Keystone round LED high bay input voltage: 120–277V
- Ensure that input voltage on site matches the fixture you intend to install.

**In accordance with NEC-20 410.69 2022, all 0-10V negative wires have been updated from gray to pink. Please contact Keystone for details.*

INSTALLATION INSTRUCTIONS

RING-BOLT MOUNT

1. Ensure power is off to the fixture.
2. Screw the ring-bolt into the fixture, tighten it, and secure with screw.
3. Hang the fixture on the ceiling hook or chain.
4. Complete wiring to input power wires (see **Wiring Diagram**, above).
5. Re-connect power when ready.
(see illustrations below)



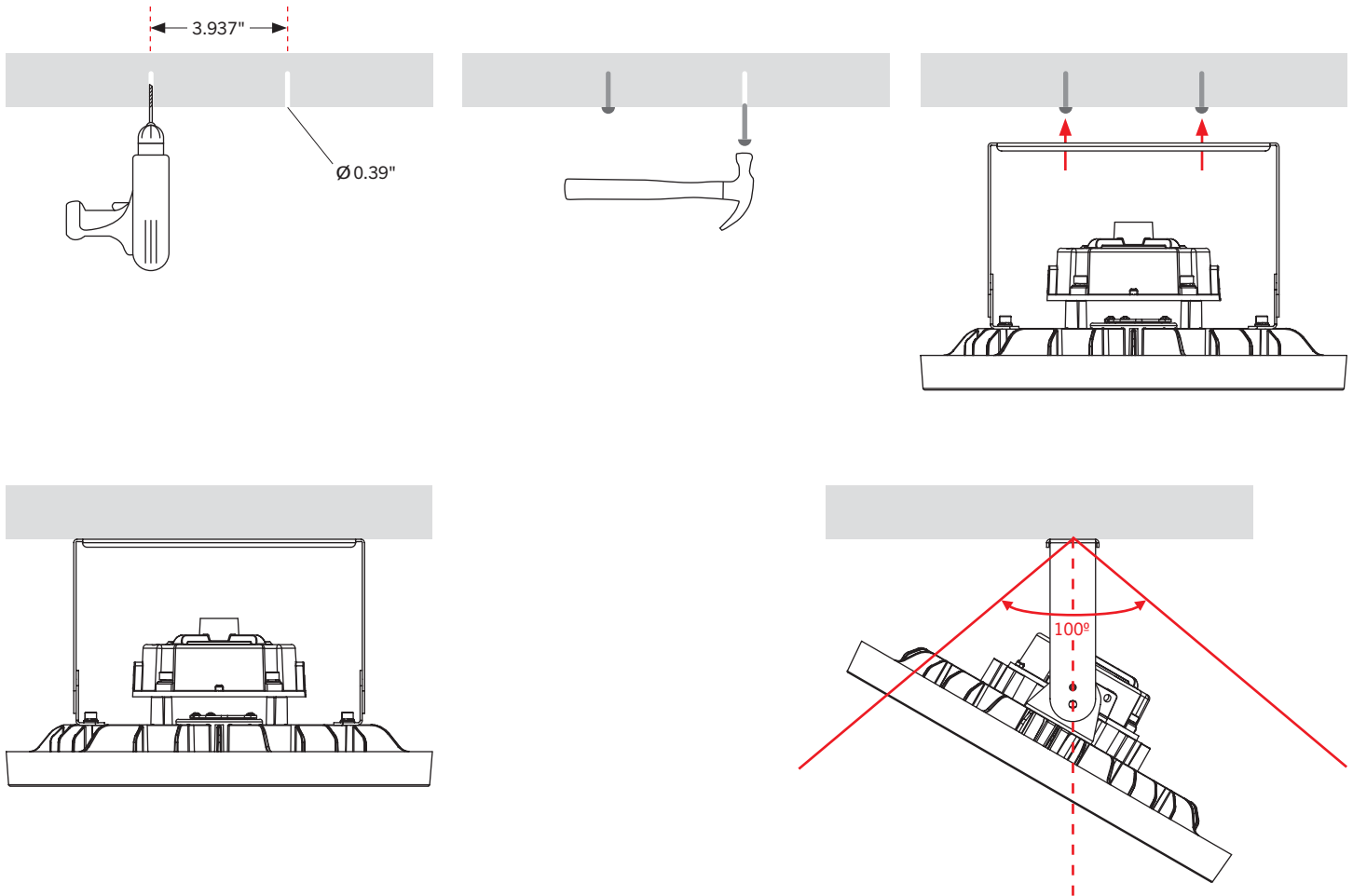
(Installation Instructions continued on next page)

INSTALLATION INSTRUCTIONS (continued)**SURFACE-MOUNT BRACKET****Surface-Mount Bracket**
(Sold separately)

Catalog Number	Description	UPC	Easy Code
KT-RHLED-SM-1-KIT /G2	Steel Surface Mount Kit for 100W and 150W KT-RHLED /G2 Fixtures; Includes mounting hardware	843654133249	JXD-63
KT-RHLED-SM-2-KIT /G2	Steel Surface Mount Kit for 200W KT-RHLED /G2 Fixture; Includes mounting hardware	843654133256	BLT-11

1. Ensure power is off to the fixture.
2. On mounting surface, mark (2) mounting hole positions with a pen or sharp tool.
3. Drill holes.
4. Tap screws into the holes.
5. Align surface-mount bracket holes with the screws, press surface-mount bracket against mounting surface, and slide the surface-mount bracket to the side to lock the fixture in place.
6. Complete wiring to input power wires (see **Wiring Diagram**, page 2).
7. Re-connect power when ready.

Note: Fixture tilt-angle can be adjusted vertically 50° to the left or right.
(see illustrations below)



(Installation Instructions continued on next page)

INSTALLATION INSTRUCTIONS (continued)**OCCUPANCY SENSORS****Microwave Occupancy Sensor**

(Sold separately)

Catalog Number	Description	UPC	Easy Code
KTS-MW3-12V-PKO /A	High Bay Microwave Occupancy Sensor with /A pre-set settings	843654133317	XYR-25
KTS-MW3-12V-PKO /B	High Bay Microwave Occupancy Sensor with /B pre-set settings	843654133324	SPF-37

Passive Infrared (PIR) Occupancy Sensor

(Sold separately)

Catalog Number	Description	UPC	Easy Code
KTS-PIR3-12V-PKO /A	High Bay Passive Infrared (PIR) Occupancy Sensor with /A pre-set settings	843654133638	RXQ-30
KTS-PIR3-12V-PKO /B	High Bay Passive Infrared (PIR) Occupancy Sensor with /B pre-set settings	843654133645	LEF-34

1. Ensure power is off to the fixture.
2. Using a screwdriver, unscrew the 1/2" knockout.
3. Screw the sensor kit in by hand.
(see illustrations below)

