



# KT-RHLED150-12C-8XX-VDIM-P /G2

## ROUND LED HIGH BAY FIXTURE

### DESCRIPTION

Compact Round LED High Bay Fixture | Wet Location Rated

### APPLICATION

Used for commercial and industrial high bay lighting applications



### PRODUCT FEATURES

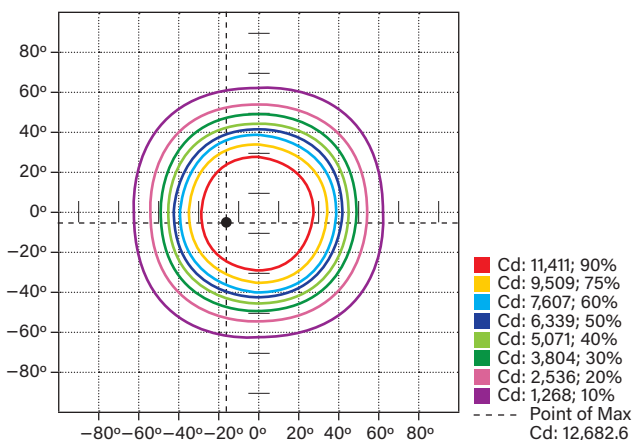
- Designed to accept easy screw-in installation of optional sensors
- Powered by Keystone 0–10V dimming LED driver
- Ring-bolt mounting accessory included
- 6' cord for input and dimming wires
- Powder-coated aluminum housing; Polycarbonate lens
- Ribbed lens to reduce glare
- Low optical flicker
- Built-in 6kV surge protection
- LED lifetime: L70 >100,000 hours @ 25°C fixture ambient
- Ambient operating temperature: –40°C/–40°F to 50°C/122°F
- IP65 rated, wet location
- Listed on QPL DLC, Premium

### PERFORMANCE SPECIFICATIONS

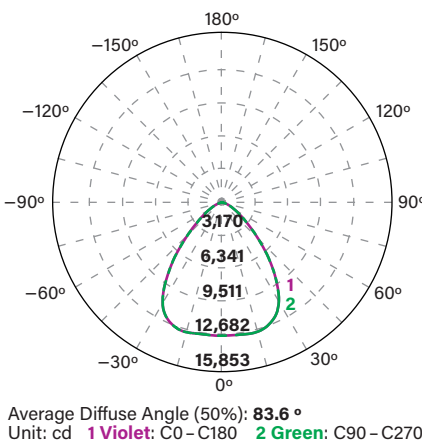
Catalog Number	Input Voltage	Wattage	Color Temperature	Lumen Output	Efficacy	Rated Life	CRI	Power Factor
KT-RHLED150-12C-840-VDIM-P /G2	120–277V	150W	4000K	23,400	156 lm/W	50,000 hrs	> 80	> 0.9
KT-RHLED150-12C-850-VDIM-P /G2			5000K	23,600	157 lm/W			

### PHOTOMETRIC SPECIFICATIONS

#### ISOCANDELA PLOT



#### POLAR CANDELA DISTRIBUTION

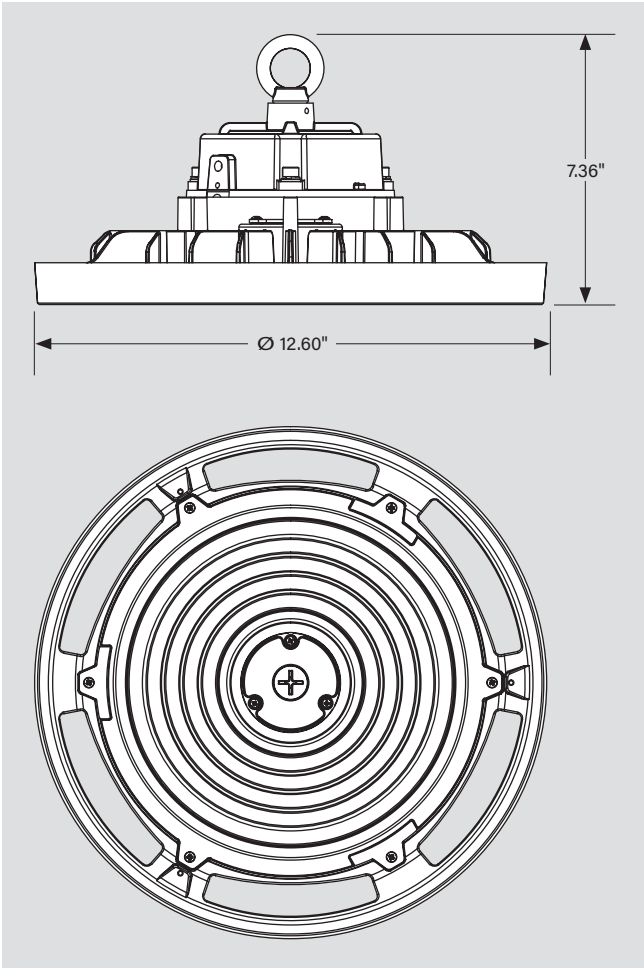


#### ZONAL LUMEN SUMMARY

Zone	Lumens	% Luminaire
0–30	10,271.9	43.4%
0–40	16,033.4	67.8%
0–60	22,131.7	93.6%
60–90	1,480.7	6.3%
70–100	469.1	2.0%
90–120	0	0%
0–90	23,612.4	99.9%
90–180	30.1	0.1%
0–180	23,642.5	100%

**KT-RHLED150-12C-8XX-VDIM-P /G2**  
ROUND LED HIGH BAY FIXTURE

**PHYSICAL SPECIFICATIONS**

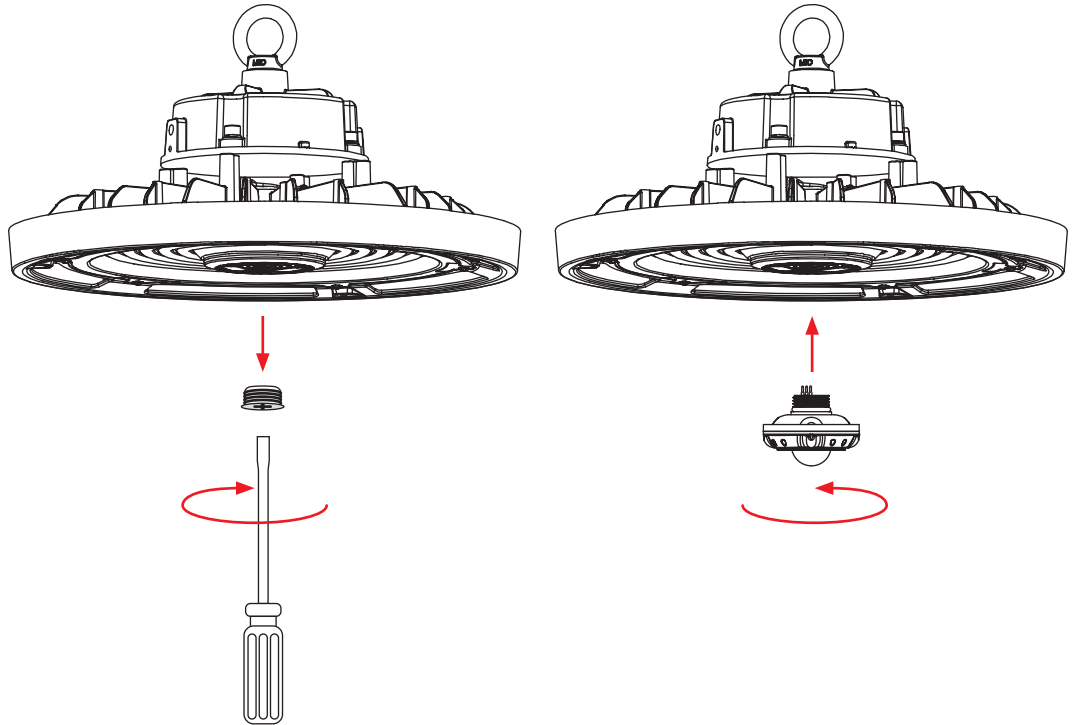


# KT-RHLED150-12C-8XX-VDIM-P /G2

## ROUND LED HIGH BAY FIXTURE

### QUICK-INSTALL

1. Ensure power is off to the fixture.
2. Remove 1/2" knock-out (KO) plug.
3. Screw in sensor head.  
(see illustrations)
4. Re-connect power when ready.
5. Program desired settings as needed with Keystone Remote Control.






# KT-RHLED150-12C-8XX-VDIM-P /G2

## ROUND LED HIGH BAY FIXTURE

**ACCESSORIES (continued)**

**SENSORS**

**Factory-Installable OR Field-Installable** (field-installable purchased separately)

✓	SUFFIX*	CATALOG NUMBER	DESCRIPTION	UPC	EASY CODE
	/FC3	KTSL-FC3-12V-PKO-PIR	Bluetooth mesh screw-in PIR occupancy sensor with built-in fixture controller for SmartLoop system 	843654138862	OCW-60
	/PIR-A	KTS-PIR3-12V-PKO /A	Screw-in PIR sensor, preset for 1 min hold time, 3 min standby time at 30% dim, daylight disabled	843654133638	RXQ-30
	/PIR-B	KTS-PIR3-12V-PKO /B	Screw-in PIR sensor, preset for 5 min hold time, 10 min standby time at 10% dim, daylight disabled	843654133645	LEF-34
	/MW3-A	KTS-MW3-12V-PKO /A	Screw-in microwave sensor, preset for 1 min hold time, 3 min standby time at 30% dim, daylight disabled	843654133317	XYR-25
	/MW3-B	KTS-MW3-12V-PKO /B	Screw-in microwave sensor, preset for 5 min hold time, 10 min standby time at 10% dim, daylight disabled	843654133324	SPF-37

\* For factory installation of accessory, add suffix to fixture part number (see ordering examples and instructions on last page of spec sheet).



**Field-Installable / Field-Use ONLY** (purchased separately)

CATALOG NUMBER	DESCRIPTION	UPC	EASY CODE
KTS-MW3-REMOTECONTROL	Remote control for KTS-MW3-12V-PKO /A or /B and KTS-PIR3-12V-PKO /A or /B sensors, used to set and adjust all sensor settings	843654132020	XSR-61

**CORD SETS & PLUGS**

**Factory-Installable OR Field-Installable** (field-installable purchased separately)

✓	SUFFIX*	CATALOG NUMBER	DESCRIPTION	UPC	EASY CODE
	/L515P	KT-P-L515P	125V NEMA L5-15P twist lock plug	843654123486	GEW-06
	/L615P	KT-P-L615P	250V NEMA L6-15P twist lock plug	843654138619	VPX-09
	/L715P	KT-P-L715P	277V NEMA L7-15P twist lock plug	843654123493	ETV-78

\* For factory installation of accessory, add suffix to fixture part number (see ordering examples and instructions on last page of spec sheet).  
 † Note: For cord sets not listed here, please contact your Keystone sales rep.

**EMERGENCY BACKUP**

**Factory-Installable OR Field-Installable** (field-installable purchased separately)

✓	SUFFIX*	CATALOG NUMBER	DESCRIPTION	UPC	EASY CODE
	/EM	KT-EMRG-LED-40SD-5000-CEN /SF	One Piece 40W Constant Wattage Design with Self Diagnostics. Approx 5000 lumens, Single Flex Cable with Included J-Box, 120-277V Input. CEC T20 Compliant.	843654144320	UGW-62

\* For factory installation of accessory, add suffix to fixture part number (see ordering examples and instructions on last page of spec sheet).  
 † Factory installation of emergency backup units will automatically include any relevant mounting bracket.

(Accessories continued on next page)

# KT-RHLED150-12C-8XX-VDIM-P /G2

## ROUND LED HIGH BAY FIXTURE

**ACCESSORIES (continued)**

**MOUNTS AND BRACKETS**

Factory-Installable OR Field-Installable (field-installable purchased separately)

✓	SUFFIX*	CATALOG NUMBER	DESCRIPTION	UPC	EASY CODE
	/WG	KT-RHLED-WG-1-KIT /G2	Thick steel wire guard, premium powdercoat construction, includes mounting hardware, fits all "12C" sized high bay fixtures	843654133263	NPV-09



\* For factory installation of accessory, add suffix to fixture part number (see ordering examples and instructions on last page of spec sheet).

Field-Installable / Field-Use ONLY (purchased separately)

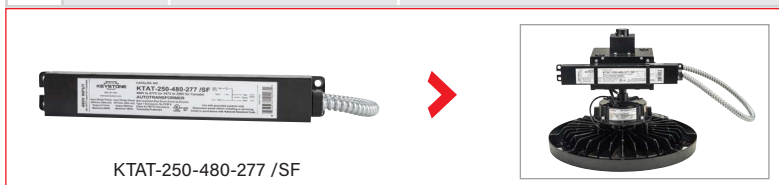
CATALOG NUMBER	DESCRIPTION	UPC	EASY CODE
KT-RHLED-SM-1-KIT /G2	Steel surface mount kit, includes mounting hardware, fits all "12C" sized high bay fixtures	843654133249	JXD-63
KT-RHLED-JBOX-PM /G2	J-Box, optimized for pole pendant and step down transformer applications, fits all round LED high bay fixtures	843654133300	RAQ-94
KT-RHLED-AR90-1-KIT /G2	Aluminum dome reflector, 90 beam angle, includes mounting hardware, fits all "12C" sized high bay fixtures	843654133287	ZOV-89
KT-RHLED-CL90-1-KIT /G2	Clear polycarbonate dome reflector with bottom lens, 90 beam angle, includes mouting hardware, fits all "12C" sized high bay fixtures	843654133614	FVZ-16



**STEP DOWN TRANSFORMER**

Factory-Installable OR Field-Installable (field-installable purchased separately)

✓	SUFFIX*	CATALOG NUMBER	DESCRIPTION	UPC	EASY CODE
	/480	KTAT-250-480-277 /SF	Fully enclosed, single flex step-down transformer for LED high bay fixtures (250VA or lower)	843654102931	XIM-17



(Accessories continued on next page)



# KT-RHLED150-12C-8XX-VDIM-P /G2

## ROUND LED HIGH BAY FIXTURE

### ORDERING INFORMATION

ORDER CODE	PACK QTY.	UPC	Easy Code
KT-RHLED150-12C-840-VDIM-P /G2	1	843654133201	VDF-80
KT-RHLED150-12C-850-VDIM-P /G2	1	843654133218	THV-98

### CATALOG NUMBER BREAKDOWN

# KT-RHLED150-12C-8XX-VDIM-P /G2

1	2	3	4	5	6	7	8	9	10
<b>1</b> Keystone Technologies	<b>2</b> Fixture Type	<b>3</b> LED Technology	<b>4</b> Wattage	<b>5</b> Size / Shape	<b>6</b> 80 CRI	<b>7</b> Color Temperature	<b>8</b> Dimming	<b>9</b> Premium Series	<b>10</b> Generation 2
	RH Round High Bay			12C 12" Diameter		40 4000K 50 5000K	VDIM 0-10V		

### ORDERING EXAMPLES

FIXTURE WITH MULTIPLE FACTORY-INSTALLED ACCESSORIES\*

KT-RHLED150-12C-8XX-VDIM-P /G2 /FC3/L515P/EM/WG/480

FIXTURE WITH MULTIPLE FACTORY-INSTALLED ACCESSORIES\*

KT-RHLED150-12C-8XX-VDIM-P /G2 /FC3/EM/WG

FIXTURE WITH TWO FACTORY-INSTALLED ACCESSORIES\*

KT-RHLED150-12C-8XX-VDIM-P /G2 /FC3/L515P

FIXTURE WITH SINGLE FACTORY-INSTALLED ACCESSORY

KT-RHLED150-12C-8XX-VDIM-P /G2 /FC3

FIXTURE WITH NO FACTORY-INSTALLED ACCESSORIES

KT-RHLED150-12C-8XX-VDIM-P /G2

\* When ordering more than one factory-installed accessory, use multiple suffixes as shown in the ordering examples above.  
**Note:** All accessories can also be ordered separately for field installation using just their regular Catalog Number, UPC, or Easy Code.

#### KEYSTONE FIXTURE

##### CATALOG NUMBER

KT-RHLED150-12C-8XX-VDIM-P /G2

#### SENSORS

✓ SUFFIX	CATALOG NUMBER
/FC3	KTSL-FC3-12V-PKO-PIR

#### CORD SETS

✓ SUFFIX	CATALOG NUMBER
/L515P	KT-P-L515P

#### EMERGENCY BACKUP

✓ SUFFIX	CATALOG NUMBER
/EM	KT-EMRG-LED-40SD-5000-CEN /SF

#### MOUNTS AND BRACKETS

✓ SUFFIX	CATALOG NUMBER
/WG	KT-RHLED-WG-1-KIT /G2

#### STEP DOWN TRANSFORMER

✓ SUFFIX	CATALOG NUMBER
/480	KTAT-250-480-277 /SF