

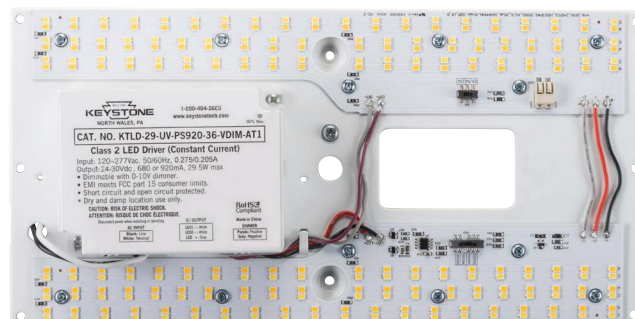


KT-RKIT30PS-11RP-8CSC-VDIM

RECTANGULAR POWER/CCT SELECTABLE LED LIGHT ENGINE



10 YEAR LIMITED WARRANTY



DESCRIPTION

11" Rectangular Power/CCT-Selectable LED Light Engine

PRODUCT FEATURES

- Power and CCT are selectable via DIP switches
- Operating temperature: -20°C/-4°F to 45°C/113°F
- L70 > 50,000 hours
- UL classified
- Meets FCC Part 15, Class B (consumer) limit
- Beam angle: 120°
- THD: < 20%
- Dimming: 0-10V
- Minimum dimming level: 10%
- Pre-assembled; mounting accessories included
- Energy Star Listed

PERFORMANCE SPECIFICATIONS

Catalog Number	Input Voltage	Dimming Type	Selectable Wattage	Selectable CCT	CRI	Total Lumens	System Efficacy
KT-RKIT30PS-11RP-8CSC-VDIM	120-277V	0-10V	22W	3000K	> 80	3,100 lm	141 lm/W
				3500K	> 80	3,125 lm	142 lm/W
				4000K	> 80	3,150 lm	143 lm/W
				5000K	> 80	3,200 lm	145 lm/W
			29.5W*	3000K	> 80	4,100 lm	139 lm/W
				3500K	> 80	4,125 lm	140 lm/W
				4000K	> 80	4,150 lm	141 lm/W
				5000K*	> 80	4,200 lm	142 lm/W

* Default setting

Note: Color Uniformity: CCT (Correlated Color Temperature) range as per guidelines outlined in ANSI C78.377-2017

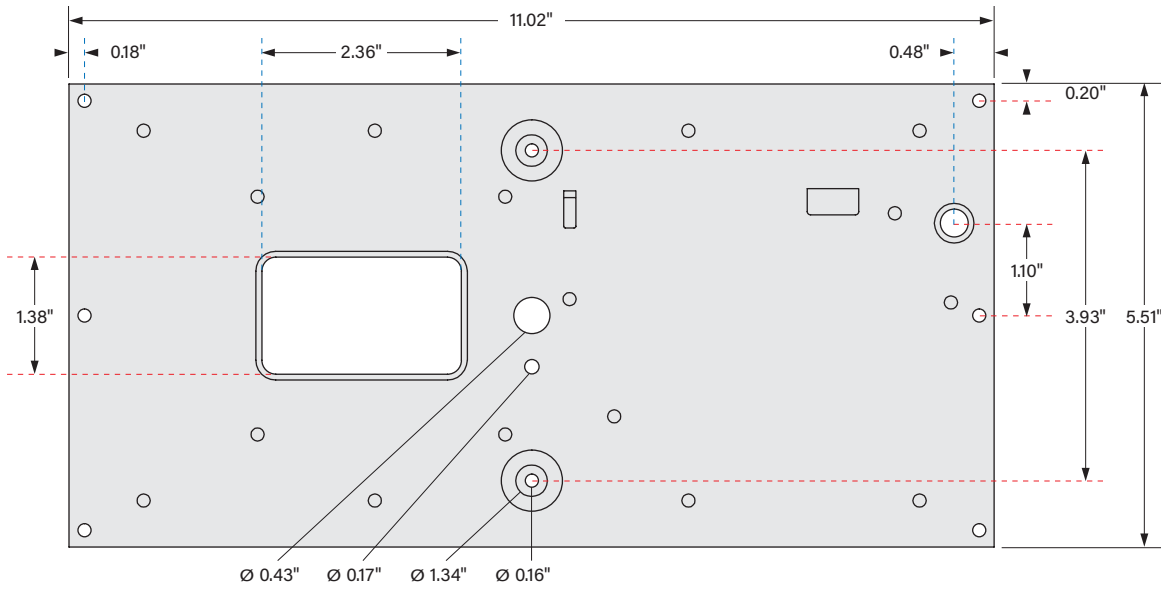


KT-RKIT30PS-11RP-8CSC-VDIM

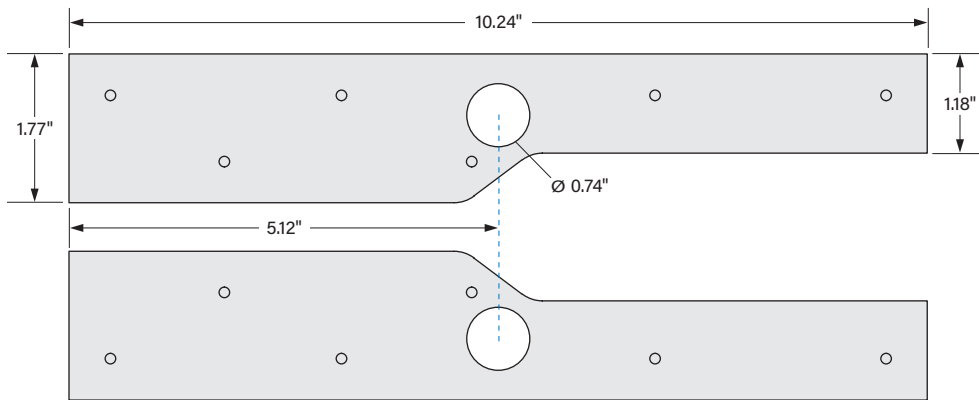
RECTANGULAR POWER/CCT SELECTABLE LED LIGHT ENGINE

PHYSICAL SPECIFICATIONS

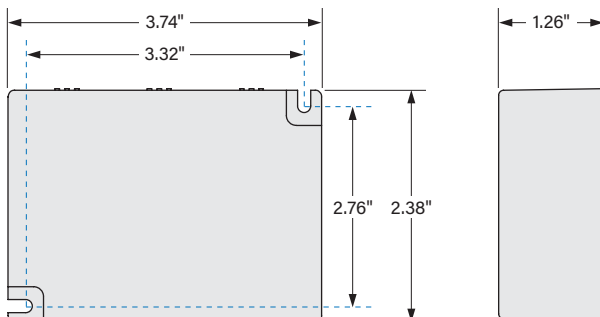
METAL PAN



LED MODULE



LED DRIVER



Dimensions

Length	3.74"
Width	2.38"
Height	1.26"
Mounting (Length)	3.32"
Mounting (Width)	2.76"



KT-RKIT30PS-11RP-8CSC-VDIM

RECTANGULAR POWER/CCT SELECTABLE LED LIGHT ENGINE

ORDERING INFORMATION

ORDER CODE	PACK QTY.	UPC	EASY CODE
KT-RKIT30PS-11RP-8CSC-VDIM	20	843654128139	PGH-29

CATALOG NUMBER BREAKDOWN

KT-RKIT30PS-11RP-8CSC-VDIM

- 1
- 2
- 3
- 4
- 5
- 6
- 7
- 8
- 9
- 10

- 1** Keystone Technologies
- 2** Retrofit Kit
- 3** Wattage
- 4** Power Select
- 5** Size (11")
- 6** Rectangular Pan
- 7** 80 CRI
- 8** Color Select
- 9** Color Select Designation
- 10** 0-10V Dimming

9 Color Select Designation

A	3500K, 4000K, 5000K
B	3000K, 4000K, 5000K
C	3000K, 3500K, 4000K, 5000K
D	TBD