



# INSTALLATION AND OPERATING INSTRUCTIONS

## CAT. NO. KT-DDPTLEDT8-24-4L

### WARNINGS

To reduce the risk of death, personal injury or property damage from fire, electric shock, falling parts, cuts/abrasions, and other hazards read all warnings and instructions included with and on the fixture box and all fixture labels.

Before installing, servicing, or performing routine maintenance upon this equipment, follow these general precautions.

Commercial installation, service and maintenance of luminaires should be performed by a qualified licensed electrician.

For the installation: If you are unsure about the installation or maintenance of the luminaires, consult a qualified licensed electrician and check your local electrical code.

To prevent wiring damage or abrasion, do not expose wiring to edges of sheet metal or other sharp objects.

Do not make or alter any open holes in an enclosure of wiring or electrical components during kit installation.

### WARNINGS

Turn off electrical power at fuse or circuit breaker box before wiring fixture to the power supply.

Turn off the power when you perform any maintenance

Verify that supply voltage is correct by comparing it with the luminaire label information.

All wiring connections should be capped with UL approved wire connectors.

**CAUTION: Before installing, make certain the AC power to the fixture is off.**

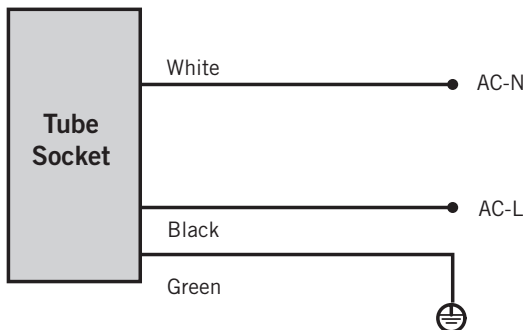
**CAUTION:** Avoid direct eye exposure to the light source while it is on.

**CAUTION:** Account for small parts and destroy packing material, as these may be hazardous to children.

**CAUTION:** Risk of burn. Disconnect power and allow fixture to cool before changing bulb or handing fixture.

**Note:** In order for UL safety certification to be valid, only Keystone lamps may be installed in the fixture as per product label.

### General Wiring Diagram:



**SAVE THESE INSTRUCTIONS**

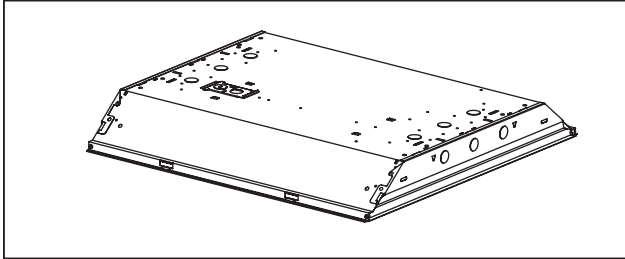


## KT-DDPTLEDT8-24-4L INSTALLATION AND OPERATING INSTRUCTIONS

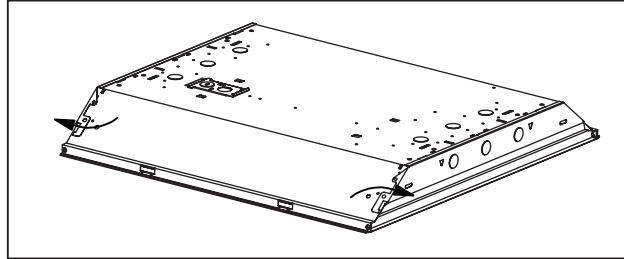
### INSTRUCTIONS:

Always turn off the power supply from main circuit breaker first!

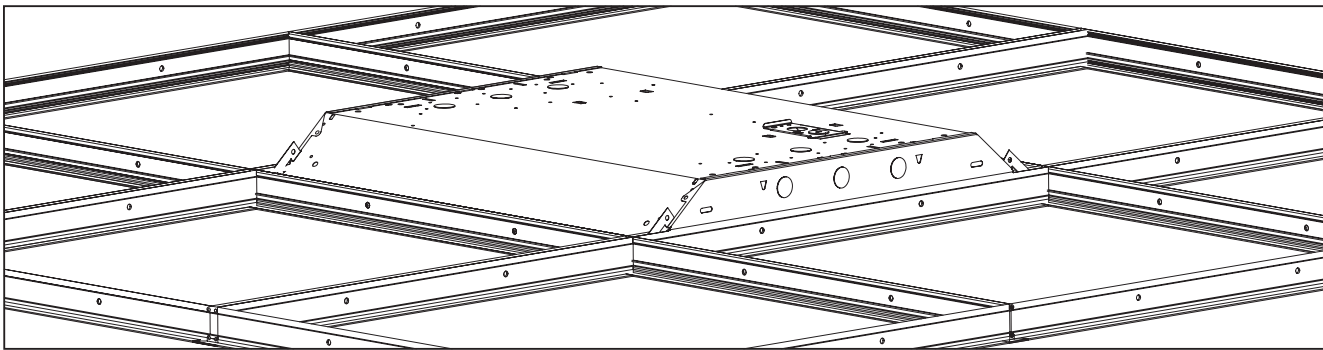
1. Remove fixture from packaging.



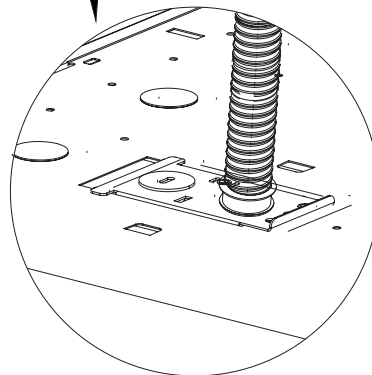
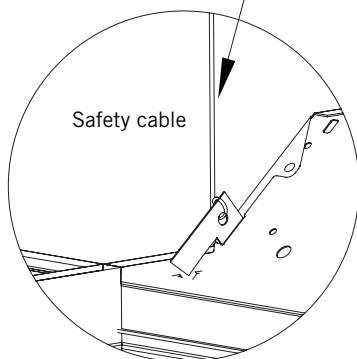
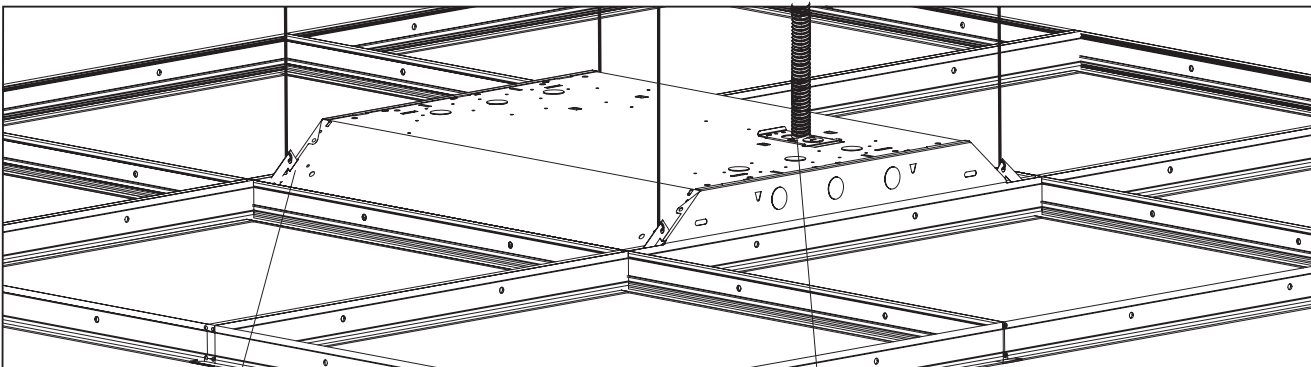
2. Bend out mounting tab 90 degrees on each corner.



3. Lay fixture into T-gird.



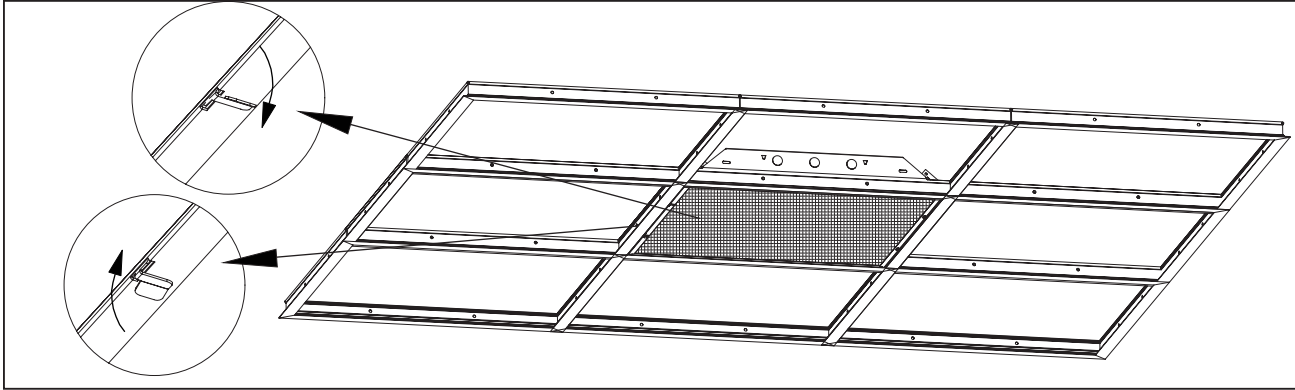
4. Attach mounting tabs to safety cables and install line voltage conduit into the knockout of cover plate.



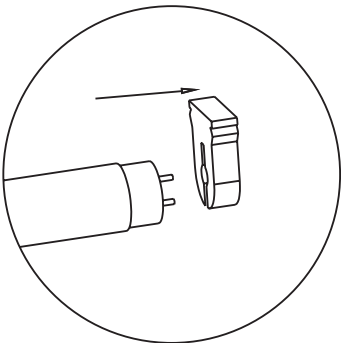
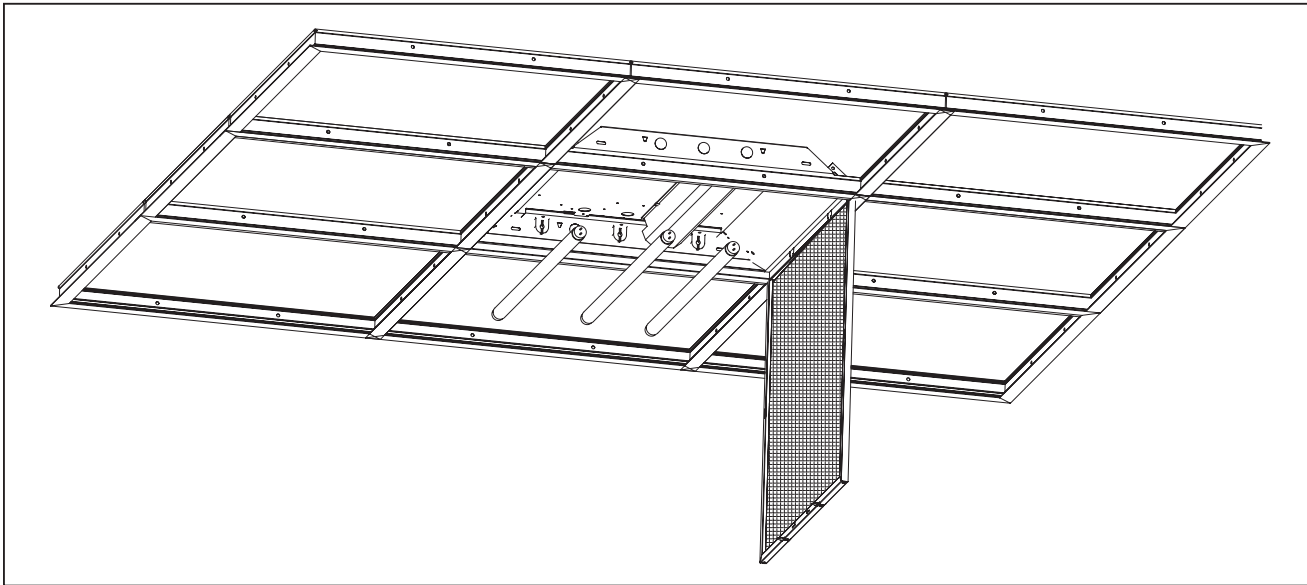


## KT-DDPTLEDT8-24-4L INSTALLATION AND OPERATING INSTRUCTIONS

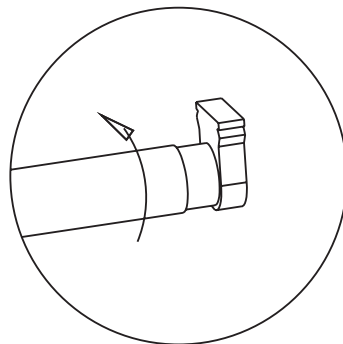
5. Rotate buckles to open fixture lens.



6. Install the bulb into the tube socket.



Insert the tube socket

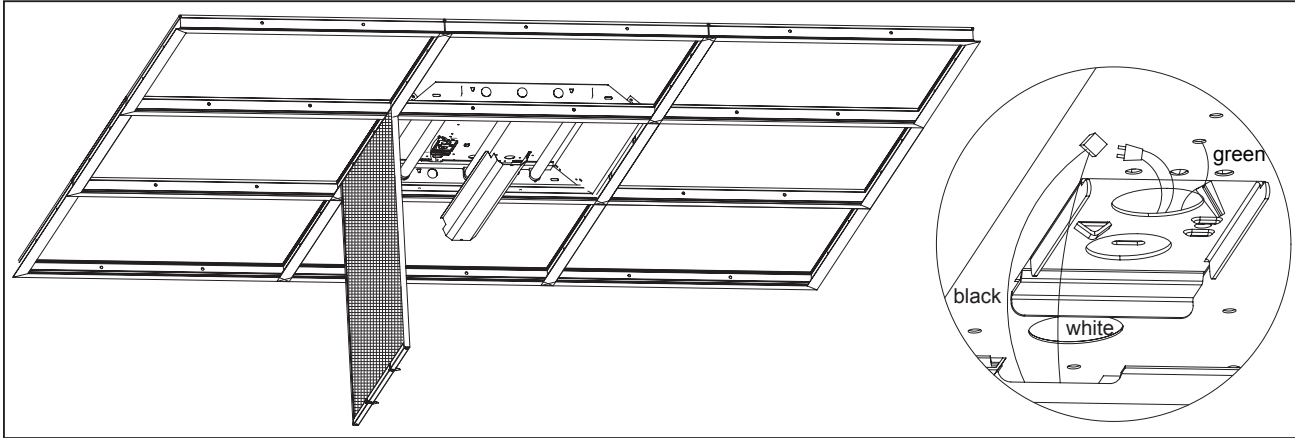


Rotate 90 degrees



## KT-DDPTLEDT8-24-4L INSTALLATION AND OPERATING INSTRUCTIONS

7. Remove ballast cover and connect wiring to input voltage.



8. The installation is complete.

