



# ESSENTIAL SERIES

## GENERAL PURPOSE LED BULBS

### KT-LED10PAR30S-NF-8XX /G2

#### 75W REPLACEMENT LAMP

#### DESCRIPTION

10W PAR30 Lamp | 2700–5000K | >80 CRI | Narrow Short Neck Flood



**LAMP TYPE:** PAR30

**BASE TYPE:** E26 (Medium)

**WATTAGE:** 10W

**COLOR TEMPERATURE:** 2700–5000K

**COLOR RENDERING INDEX (CRI):** > 80

**WARRANTY:** 3 Years

**RATED LIFE:** L70 (25,000 Hours)

#### TYPICAL APPLICATIONS

- Track-lighting
- Display
- Flood- and spot-lighting
- Outdoor fixtures (with suitable protection from the elements)

#### PRODUCT FEATURES

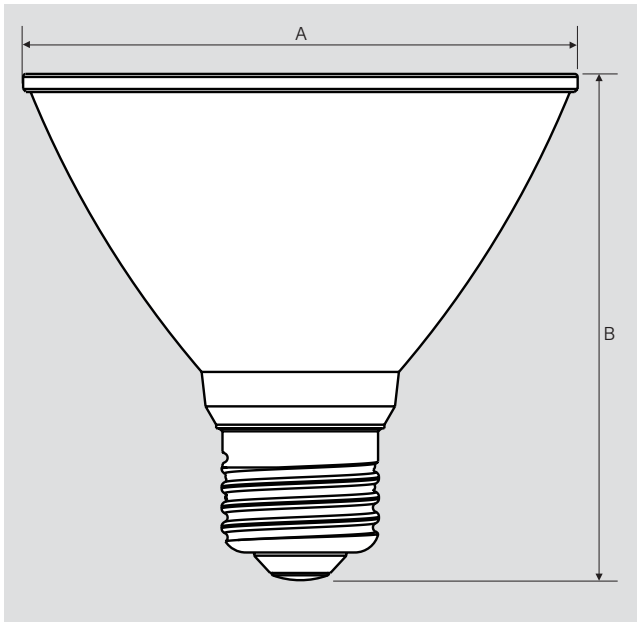
- 80%+ energy savings and less heat generation vs legacy equivalents
- 25,000 hr lifetime means fewer replacements and lower maintenance cost
- Precision crafted optics for beam angle control
- Durable plastic housing for lower risk of breakage
- ANSI compliant construction ensures fit for intended applications
- UL & Energy Star listed
- Suitable for use in enclosed, recessed fixtures
- Suitable for dry, damp, and wet locations
- Suitable for use with dimmers
- PF > 0.90
- Operating temperature range: 4°F/–20°C to 95°F/35°C
- Complies with FCC Part 15

#### ELECTRICAL AND PERFORMANCE SPECIFICATIONS

Keystone Catalog Number	Base Type	Input Voltage	Rated Lamp Wattage	Legacy Equivalent Wattage	Lumens	Efficacy	CRI	Beam Angle	Dimmable	Color Temp
KT-LED10PAR30S-NF-827 /G2	E26	120V	10W	75W halogen	950	95 lm/W	> 80	25°	Yes	2700K
KT-LED10PAR30S-NF-830 /G2	E26	120V	10W	75W halogen	950	95 lm/W	> 80	25°	Yes	3000K
KT-LED10PAR30S-NF-840 /G2	E26	120V	10W	75W halogen	950	95 lm/W	> 80	25°	Yes	4000K
KT-LED10PAR30S-NF-850 /G2	E26	120V	10W	75W halogen	950	95 lm/W	> 80	25°	Yes	5000K

**KT-LED10PAR30S-NF-8XX /G2**  
 75W REPLACEMENT LAMP

**PHYSICAL SPECIFICATIONS**



**LAMP DIMENSIONS**

<b>A (Diameter)</b>	3.78"
<b>B (Length)</b>	3.43"

**BASE TYPE:** E26 (Medium)

**PACKAGING**

<b>Carton Quantity</b>	48 pcs
<b>Carton Dimensions</b>	18.50" × 13.46" × 10.32"

**ORDERING INFORMATION**

CATALOG NUMBER	UPC	EASY CODE	ENERGY STAR UNIQUE ID
KT-LED10PAR30S-NF-827 /G2	843654150970	ITF-68	2838215
KT-LED10PAR30S-NF-830 /G2	843654150987	WJR-35	2838221
KT-LED10PAR30S-NF-840 /G2	843654150994	GAR-52	2838244
KT-LED10PAR30S-NF-850 /G2	843654151007	EEG-66	2838256

**CATALOG NUMBER BREAKDOWN**

**KT-LED10PAR30S-NF-8XX /G2**

1 2 3 4 5 6 7 8 9

- 1 Keystone Technologies
- 2 LED Lamp
- 3 Wattage
- 4 Lamp Shape
- 5 Short-Neck
- 6 Narrow Flood
- 7 80 CRI
- 8 Color Temperature
- 9 Second Generation