



SMART PORT LED

KTS-MW1-12V-AUX SMART PORT LED MICROWAVE OCCUPANCY SENSOR

DESCRIPTION

Smart Port LED Microwave Occupancy Sensor | 12V Input | 0–10V Output



5 YEAR
WARRANTY

INPUT VOLTAGE: 12V ± 2V

INPUT FREQUENCY: 5.8 GHz ± 75MHz

OUTPUT VOLTAGE: 0–10V

TRANSMIT POWER: 1mW

DIMMING: Adjustable standby levels

WARRANTY: 5 Years



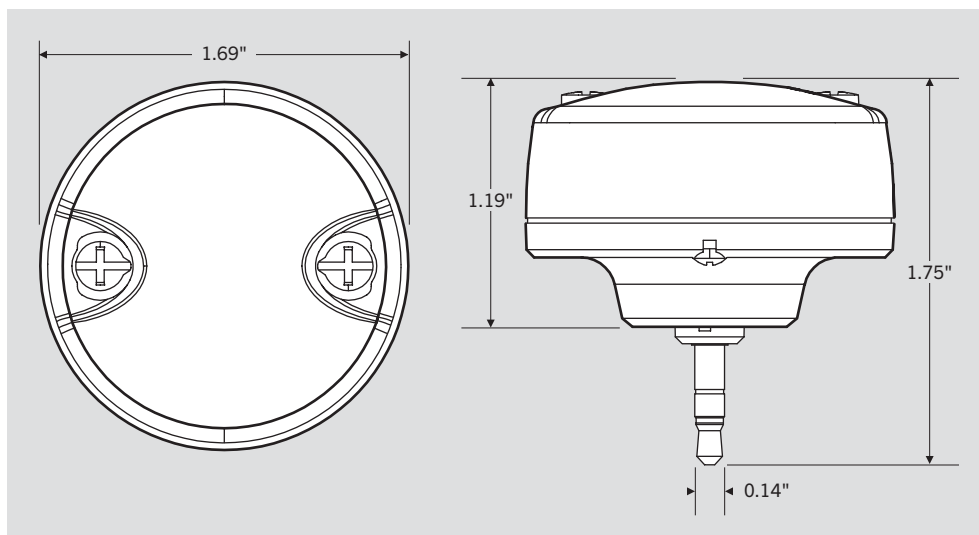
PRODUCT FEATURES

- Smart Port LED Microwave Occupancy Sensor
- On/Off with adjustable standby dimming level
- 12V input
- 3.5mm standard AUX port connection method
- Operating temperature range: –20°C/–4°F to 60°C/140°F
- IP 20

PERFORMANCE SPECIFICATIONS

Catalog Number	Operating Frequency	Input Voltage	Output Voltage	Operating Current	Transmit Power	Detection Angle	Max Mounting Height	Detection Radius (at Max Mounting height)	Standby Dim Levels	Hold Time Options
KTS-MW1-12V-AUX	5.8GHz	12V	0–10V	20mA	1mW	120 degrees	26 ft	16.5 ft	0% 20% 40% 60%	30 sec 90 sec 5 min 10 min

PHYSICAL SPECIFICATIONS



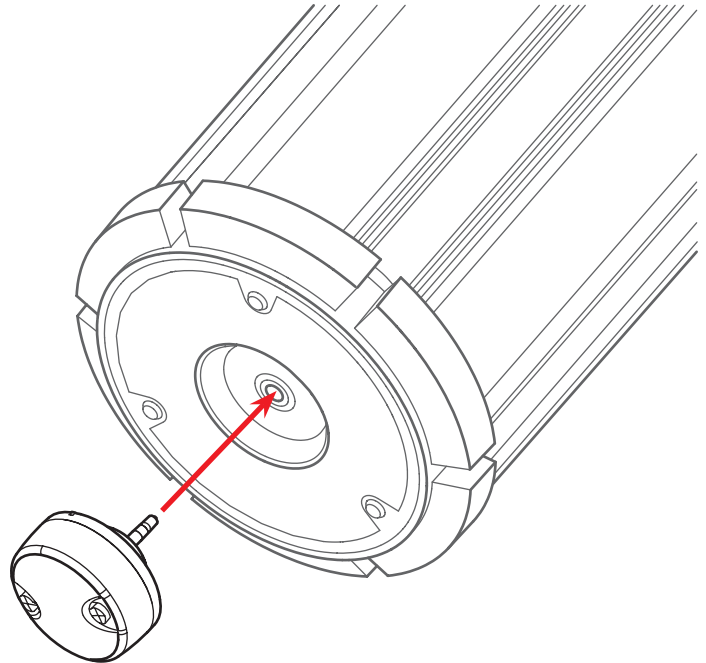
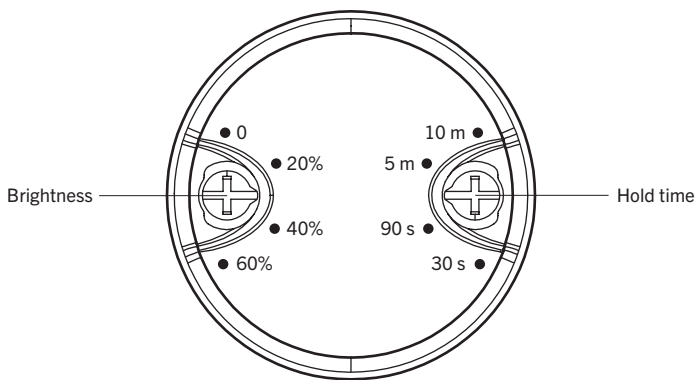


SMART PORT LED

KTS-MW1-12V-AUX SMART PORT LED MICROWAVE OCCUPANCY SENSOR

PRE-INSTALLATION PROGRAMMING

1. **Read and understand all warnings and notes stated below before proceeding with installation.**
 - Operating temperature: $-20^{\circ}\text{C}/-4^{\circ}\text{F}$ to $60^{\circ}\text{C}/140^{\circ}\text{F}$
 - Do not use with enclosed metal luminaire.
 - Do not expose directly to water.
 - Not for outdoor use.
 - Use only one module per lamp.
2. Set Microwave Occupancy Sensor brightness and hold time:
 - a. Brightness (Light level output when sensing no motion)
 - Set standby dimming level to 0/20%/40%/60% of full light output.
 - b. Hold time (Time from light trigger until no motion is detected)
 - Set time duration until sensor triggers standby light level (30 seconds/90 seconds/5 minutes/10 minutes).
3. Plug the Microwave Occupancy Sensor into Smart Port
 - Insert 3.5mm AUX into the Smart Port on Keystone's Smart Port LED compatible lamps.



INSTALLATION

OPERATION

1. Plug in and turn on the LED lamp with the installed Microwave Occupancy Sensor.
 - a. Lamp will be illuminated at 100% brightness.
2. Wait for preset hold time (30 seconds/90 seconds/5 minutes/10 minutes).
 - a. If no motion is detected, lamp will be turned down to 0–60% brightness, depending on your preset brightness level (0/20%/40%/60%).
 - b. If motion is detected, lamp will stay turned on to 100% brightness.

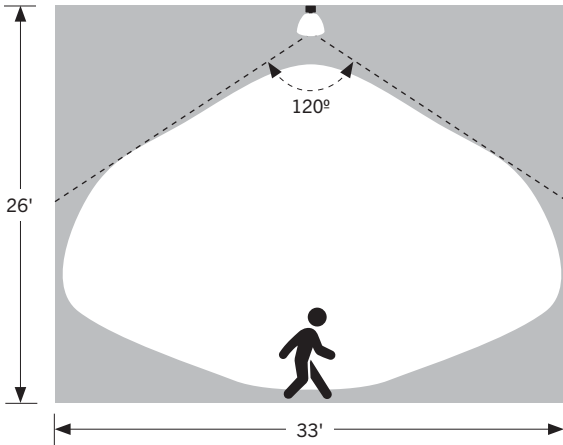


SMART PORT LED

KTS-MW1-12V-AUX

SMART PORT LED MICROWAVE OCCUPANCY SENSOR

MICROWAVE OCCUPANCY SENSOR DETECTION AREA



APPLICATIONS

- Corridors
- Stairwells
- Restrooms
- Courtyards
- Doorways
- Parking lots
- Gas stations
- Warehouses

ORDERING INFORMATION

ORDER CODE	PACKAGING STYLE	PACK QTY.	ITEM STATUS	UPC	EASY CODE
KTS-MW1-12V-AUX-CP	Carton Pack	TBD	Quick Ship	843654123257	MQX-21

CATALOG NUMBER BREAKDOWN

KTS-MW1-12V-AUX-CP

1

2

3

4

5

- 1 Keystone Technologies Sensor
- 2 Microwave
- 3 Input Voltage
- 4 Auxiliary Port Connection
- 5 Packaging Style