

KT-LED8PAR30S-NF-9XX /G2

75W REPLACEMENT LAMP

DESCRIPTION

8W PAR30 Lamp | 2700–5000K |
 ≥ 90 CRI | Short Neck Flood



Enclosed
 Fixture Rated



LAMP TYPE: PAR30

BASE TYPE: E26 (Medium)

WATTAGE: 8W

COLOR TEMPERATURE: 2700–5000K

COLOR RENDERING INDEX (CRI): > 90

WARRANTY: 3 Years

RATED LIFE: L70 (25,000 Hours)



TYPICAL APPLICATIONS

- Track Lighting
- Display
- Flood and SpotLighting
- Outdoor fixtures (with suitable protection from the elements)

PRODUCT FEATURES

- 80%+ energy savings and less heat generation vs legacy equivalents
- 25,000 hr lifetime means fewer replacements and lower maintenance cost
- Precision crafted optics for beam angle control
- Durable plastic housing for lower risk of breakage
- ANSI compliant construction ensures fit for intended applications
- Title 20 compliant
- Title 24 JAB compliant (except 5000K lamps)
- UL & Energy Star listed
- Suitable for use in enclosed, recessed fixtures
- Suitable for dry, damp, and wet locations
- Suitable for use with dimmers
- PF > 0.90
- Operating temperature range: 4°F/–20°C to 95°F/35°C
- Complies with FCC Part 15

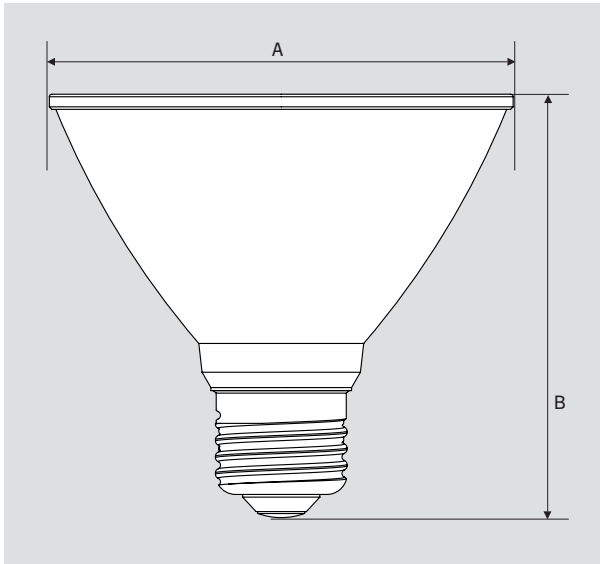
ELECTRICAL AND PERFORMANCE SPECIFICATIONS

Keystone Catalog Number	Description	Color Temp	Input Voltage	Rated Lamp Wattage	Legacy Equivalent Wattage	Base Type	Lumens	Energy Star CBCP	CRI	Light Distribution	Dimmable	Efficacy
KT-LED8PAR30S-NF-927 /G2	PAR30S bulb. Short neck flood, dimmable	2700K	120V	8W	75W halogen	E26	800	TBD	≥90	25°	Yes	100 lm/W
KT-LED8PAR30S-NF-930 /G2	PAR30S bulb. Short neck flood, dimmable	3000K	120V	8W	75W halogen	E26	800	TBD	≥90	25°	Yes	100 lm/W
KT-LED8PAR30S-NF-940 /G2	PAR30S bulb. Short neck flood, dimmable	4000K	120V	8W	75W halogen	E26	850	TBD	≥90	25°	Yes	106 lm/W
KT-LED8PAR30S-NF-950 /G2	PAR30S bulb. Short neck flood, dimmable	5000K	120V	8W	75W halogen	E26	850	TBD	≥90	25°	Yes	106 lm/W

KT-LED8PAR30S-NF-9XX /G2

75W REPLACEMENT LAMP

PHYSICAL CHARACTERISTICS



LAMP DIMENSIONS

A (Diameter)	3.62"
B (Length)	3.31"

BASE TYPE: E26 (Medium)

PACKAGING

Carton Quantity	48 pcs
Carton Dimensions	10.31" × 18.50" × 13.46"
Carton Weight	13.5 lbs

ORDERING INFORMATION

ORDER CODE	CARTON QUANTITY	ENERGY STAR UNIQUE ID	EASY CODE	UPC
KT-LED8PAR30S-NF-927 /G2	72 pcs	TBD	HGG-45	843654151014
KT-LED8PAR30S-NF-930 /G2	72 pcs	TBD	VKK-13	843654151021
KT-LED8PAR30S-NF-940 /G2	72 pcs	TBD	VHP-24	843654151038
KT-LED8PAR30S-NF-950 /G2	72 pcs	TBD	CNR-97	843654151045

CATALOG NUMBER BREAKDOWN

KT-LED8PAR30S-NF-9XX /G2

1 2 3 4 5 6 7 8 9

- 1 Keystone Technologies
- 2 LED Lamp
- 3 Wattage
- 4 Lamp Shape
- 5 Short Neck
- 6 Narrow flood
- 7 90 CRI
- 8 Color Temperature
- 9 Second Generation