

# KT-RDLED38PS-10A-8CSG-VDIM

## 10" RECESSED DOWNLIGHT

**DESCRIPTION**

10" Recessed Downlight | Power Select Technology | Color Select Technology | Internal Driver and Integral Whip

**APPLICATION**

Ideal for hospitality, retail, office, and other retrofit and new construction applications



**PRODUCT FEATURES**

- Keystone Power Select and Color Select technologies offer SKU reduction and allow for easy, on-the-job adjustments
- Designed with integral whip to connect directly to a junction box; Ideal for installation into existing CFL pin-based fixture infrastructure
- Integral driver eliminates the need for a traditional multi-piece fixture setup
- Ideal for new construction, remodel, and retrofit applications
- Smooth reflector trim offers clean, modern appearance
- Diffused lens reduces glare
- Interchangeable trims available in matte black, brushed nickel, and bronze
- Powered by Keystone 0–10V dimming LED driver; 10–100% dimming
- Ambient operating temperature: –20°C/–4°F to 40°C/104°F
- Suitable for use in wet locations
- Airtight and Type IC-rated
- Power factor: >0.90
- THD: <20%
- LED chip lifetime: L70 >80,000 hrs @ 25°C/77°F ambient fixture temp
- FCC Part 15, Subpart B, Class B
- CEC Compliant Flicker Rate (CEC JA10 std.)

**PERFORMANCE SPECIFICATIONS**

Catalog Number	Input Voltage	Wattage (Selectable)	CCT (Selectable)*	Lumen Output	Efficacy	CRI	Power Factor	Lifetime
KT-RDLED38PS-10A-8CSG-VDIM	120–277V	37.5W	2700K	3300	88 lm/W	>80	>0.9	50,000 hrs
			3500K	3450	92 lm/W			
			5000K	3400	91 lm/W			
		29.5W	2700K	2800	95 lm/W			
			3500K	2850	97 lm/W			
			5000K	2800	95 lm/W			
		21W	2700K	2000	95 lm/W			
			3500K	2050	98 lm/W			
			5000K	2000	95 lm/W			

\* Preset to highest CCT: 5000K  
Color Uniformity: CCT (Correlated Color Temperature) range as per guidelines outlined in ANSI C78.377-2017

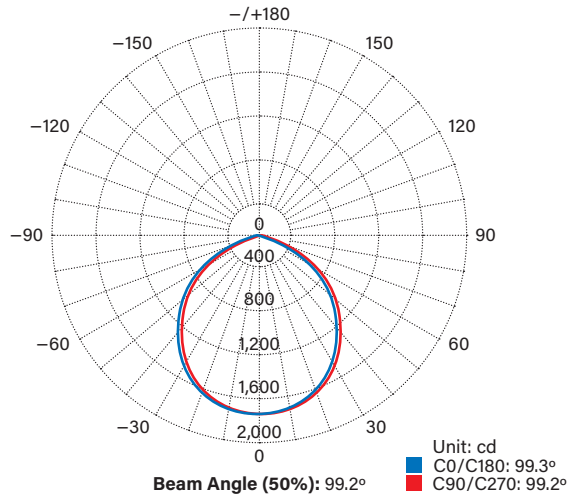


# KT-RDLED38PS-10A-8CSG-VDIM

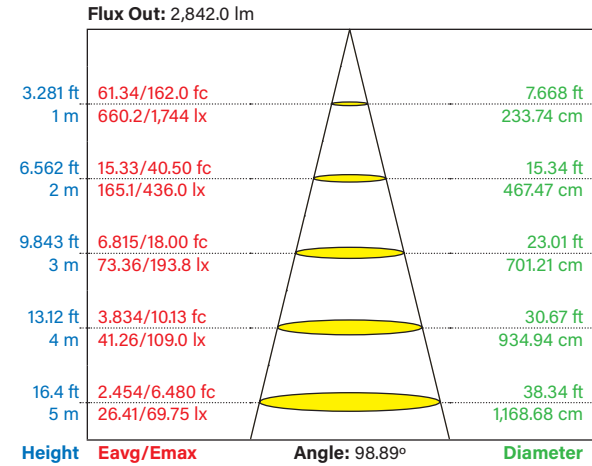
## 10" RECESSED DOWNLIGHT

### PHOTOMETRIC SPECIFICATIONS\*

#### POLAR CANDELA DISTRIBUTION

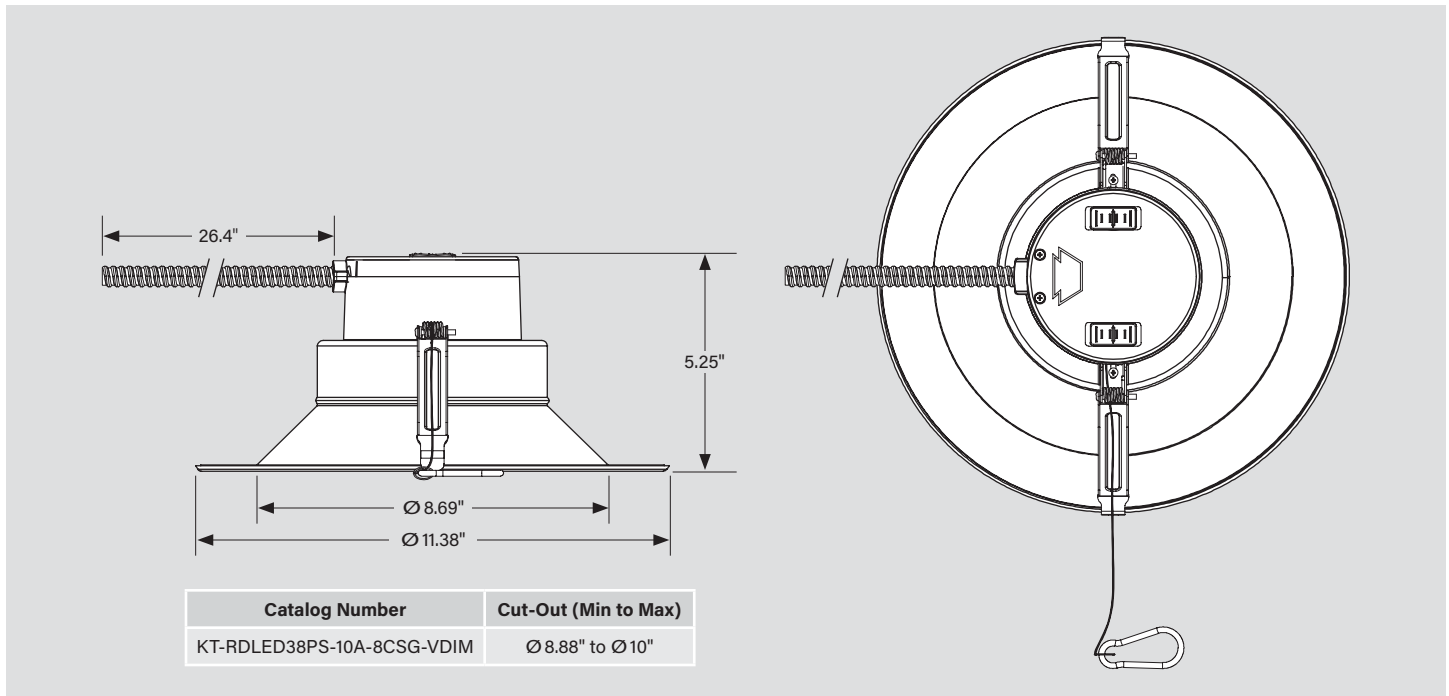


#### LUX DISTANCE CURVE



\* Tested at 37.5W and 2700K

### PHYSICAL SPECIFICATIONS





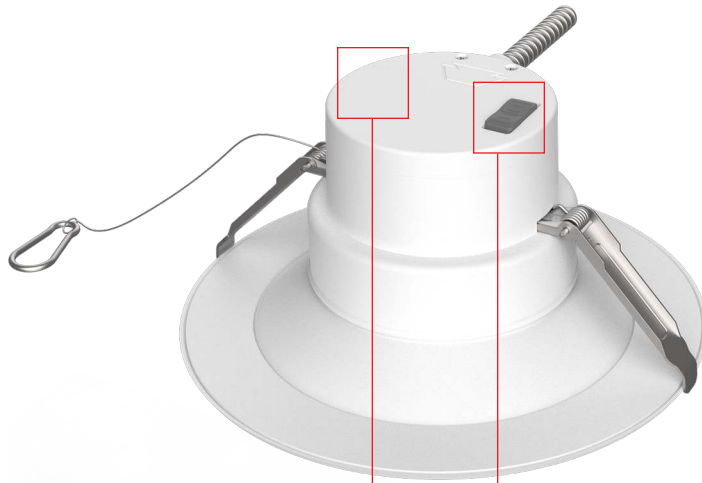
# KT-RDLED38PS-10A-8CSG-VDIM

## 10" RECESSED DOWNLIGHT

### POWER SELECT (WATTAGE) AND COLOR SELECT (CCT) ADJUSTMENT

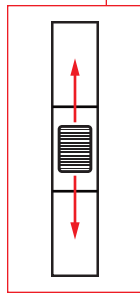
This fixture is equipped with field-adjustable Keystone Power Select and Color Select technology.

1. Ensure power is off to the fixture.
2. Adjust dip switches to desired settings.



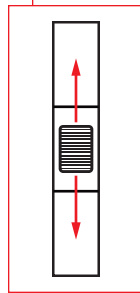
#### COLOR SELECT ADJUSTMENT SWITCH

Set dip switch to adjust CCT between 3000K, 3500K, and 4000K. Fixture comes preset at 4000K.

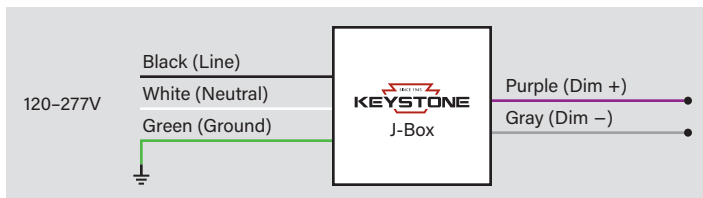


#### POWER SELECT ADJUSTMENT SWITCH

Set dip switch to adjust wattage between 21W, 29.5W, and 37.5W. Fixture comes preset at 37.5W.



### WIRING DIAGRAM



## KT-RDLED38PS-10A-8CSG-VDIM 10" RECESSED DOWNLIGHT

### INSTALLATION INSTRUCTIONS

#### RETROFIT INSTALLATION

- 1. Shut off power at the source of the fixture housing into which you are installing fixture.**

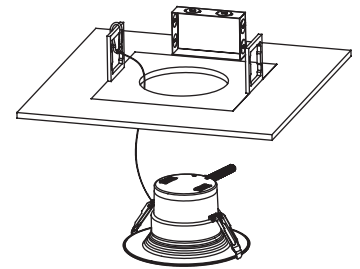
Remove existing trim and CFL or incandescent bulb.

*Note:* Follow all federal and local regulations when disposing of lamps and removed components.

- 2. Measure ceiling opening to ensure that the edge of the luminaire will cover the entire opening and still sit firmly in the ceiling (see Physical Specifications on page 2).**

- 3. Select desired Wattage and CCT using adjustment switches on fixture (see Power Select (Wattage) and Color Select (CCT) Adjustment on page 3).**

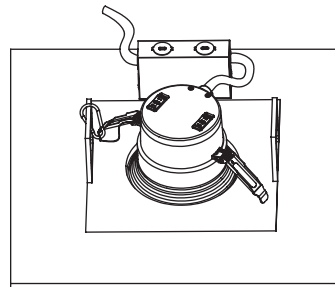
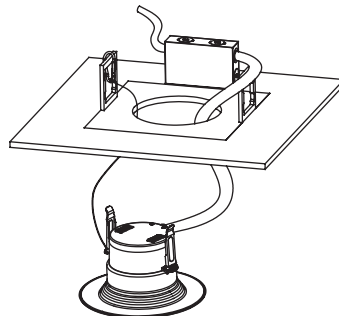
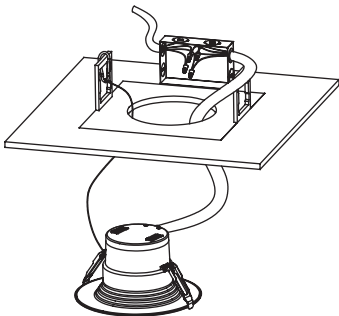
- 4. Attach carabiner safety clip to the existing fixture housing.**



- 5. Insert lamp conduit into J-box and wire to power source (see Wiring Diagram on page 3). Reattach J-box cover when done.**

- 6. Squeeze the two housing clips so they are in an upright position and then insert lamp into housing.**

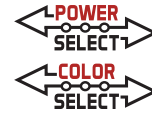
- 7. Once lamp is inside housing, release housing clips and continue to push lamp into housing until securely fixed and flush with ceiling. Restore power.**



(Installation Instructions continued on next page)



# ADVANTA



## KT-RDLED38PS-10A-8CSG-VDIM 10" RECESSED DOWNLIGHT

### INSTALLATION INSTRUCTIONS (continued)

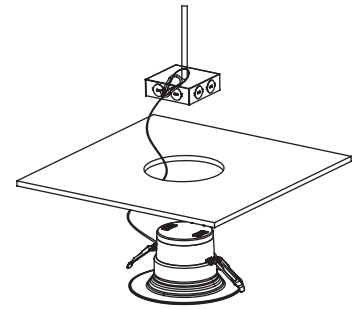
#### NEW-CONSTRUCTION INSTALLATION\*

**1. Shut off power at the source of the fixture housing into which you are installing fixture.**

**2.** Create ceiling opening to ensure that the edge of the luminaire will cover the entire opening and still sit firmly in the ceiling (see Physical Specifications on page 2).

**3.** Select desired Wattage and CCT using adjustment switches on fixture (see Power Select (Wattage) and Color Select (CCT) Adjustment on page 3).

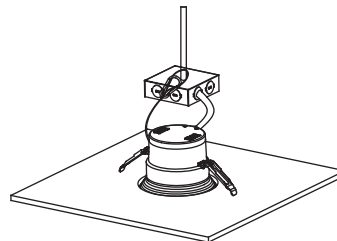
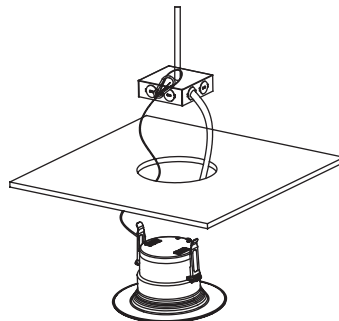
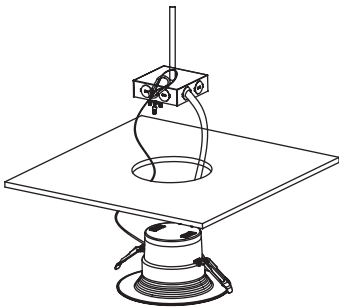
**4.** Attach carabiner safety clip to secure location in ceiling.



**5.** Insert lamp conduit into J-box and wire to power source (see Wiring Diagram on page 3). Reattach J-box cover when done.

**6.** Squeeze the two housing clips so they are in an upright position and then insert lamp into opening.

**7.** Once lamp is inside opening, release housing clips and continue to push lamp into opening until securely fixed and flush with ceiling. Restore power.



\* Keystone offers optional New Construction Plate (KT-RDLED-PLATE-1) for both new joist and T-grid installations. See Optional Accessories (sold separately) on page 6.



# KT-RDLED38PS-10A-8CSG-VDIM

## 10" RECESSED DOWNLIGHT

**OPTIONAL ACCESSORIES** (sold separately)

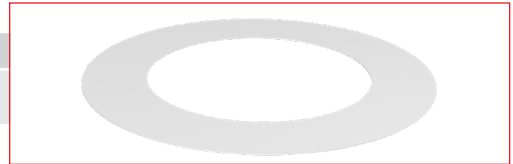
**INTERCHANGEABLE TRIM**

Catalog Number	Description	UPC	Easy Code
KT-RDLED-10A-MB-TRIM	10" Interchangeable trim for 10" recessed downlights; Matte black	843654137179	HWB-59
KT-RDLED-10A-BN-TRIM	10" Interchangeable trim for 10" recessed downlights; Brushed nickel	843654137209	NLB-18
KT-RDLED-10A-BR-TRIM	10" Interchangeable trim for 10" recessed downlights; Bronze	843654137230	KSN-09



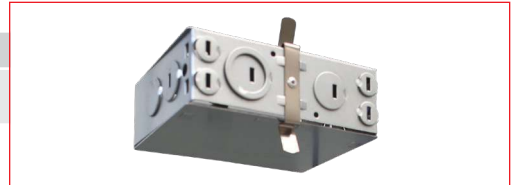
**GOOF RING**

Catalog Number	Description	UPC	Easy Code
KT-RDLED-10A-GOOF	10" Goof ring for 10" recessed downlights; 14.17" outer diameter	843654137261	XHZ-21



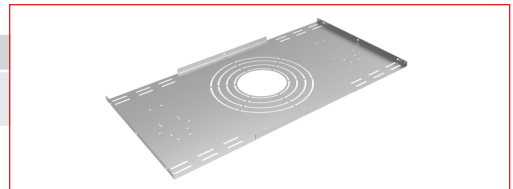
**JUNCTION BOX**

Catalog Number	Description	UPC	Easy Code
KT-RDLED-JBOX-1-KIT	Junction box for recessed downlights	843654137278	HJA-70



**NEW-CONSTRUCTION PLATE**

Catalog Number	Description	UPC	Easy Code
KT-RDLED-PLATE-1	New-construction plate for recessed downlights	843654137285	BMS-81



**EMERGENCY PACK**

Catalog Number	Description	UPC	Easy Code
KT-EMRG-LED-12-1200-AC / DF	LED Emergency Backup, 12W - 1200 Lumen Constant Power Design. 120-277V Input. Dual Flex Cable Design. Installs on Primary Side of AC Powered LED load.	843654139890	MPM-43





# KT-RDLED38PS-10A-8CSG-VDIM

## 10" RECESSED DOWNLIGHT

### ORDERING INFORMATION

Catalog Number	Pack Qty.	UPC	Easy Code
KT-RDLED38PS-10A-8CSG-VDIM	1	843654137087	XJA-59

### CATALOG NUMBER BREAKDOWN

# KT-RDLED38PS-10A-8CSG-VDIM

1
2
3
4
5
6
7
8
9
10
11

**1 Keystone Technologies**

**2 Fixture Type**

**3 LED Technology**

**4 Maximum Wattage**

**5 Power Select Technology**

**6 Size**

**7 Style/Design Designation**

**8 CRI**

**9 Color Select Technology**

**10 Color Select Designation**

**11 Dimming**

**2 Fixture Type**

RD	Recessed Downlight
----	--------------------

**6 Size**

10	10" Nominal
----	-------------

**7 Style/Design Designation**

A	Series A
---	----------

**8 CRI**

8	80
---	----

**10 Color Select Designation**

G	2700K, 3500K, 5000K
---	---------------------

**11 Dimming**

VDIM	0-10V Dimming
------	---------------