



EXTERNAL DRIVE LED

TYPE C LED TUBES

KTLD-1LT8-UV-12C-VDIM /G2

CONSTANT CURRENT LED DRIVER FOR TYPE C T8 LAMPS

DESCRIPTION

Constant Current Output | 120–277V Input | 0–10V Dimming



10 YEAR LIMITED WARRANTY

DRIVER TYPE: Constant Current
MAX. OUTPUT POWER: 11.5W
INPUT VOLTAGE: 120–277Vac ± 10%
OUTPUT VOLTAGE: 36–45 Vdc
OUTPUT CURRENT: 270mA × 1 channels
WARRANTY: 10 Years



PRODUCT FEATURES

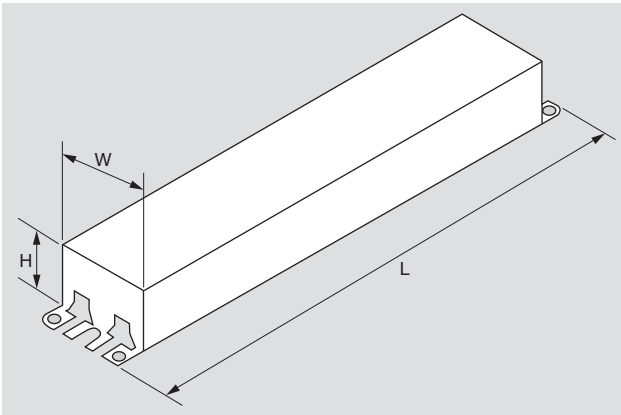
- Compatible with Keystone external drive T8 LED lamps
- Meets FCC Part 15 (Class B) consumer limits
- Short circuit overload and open load protection
- Type 1 outdoor, suitable for dry and damp locations
- UL8750 Recognized component
- Dimmable with 0–10V dimmer, minimum dim 10%
- Operating temperature: –20°C/–4°F to 45°C/113°F
- 85°C/185°F maximum case temperature
- Input frequency: 50/60 Hz
- THD: < 25%
- 70,000 hour lifetime

ELECTRICAL SPECIFICATIONS

INPUT CHARACTERISTICS				OUTPUT CHARACTERISTICS			FEATURES
Input Voltage	Input Power	Power Factor	Max. Current	Max. Output Power	Rated Output Current	Output Voltage	Efficiency
120–277Vac	13W	>0.9	0.12A @ 120V	11.5W	270mA × 1 Channels	36–45Vdc	87%

MECHANICAL SPECIFICATIONS

CASE DIMENSIONS



LENGTH (L)	9.53"
WIDTH (W)	1.34"
HEIGHT (H)	1.10"

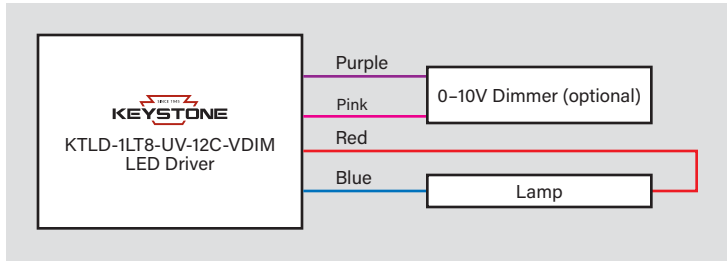
*TC Point (85°C) is noted on each driver label



KTLD-1LT8-UV-12C-VDIM /G2

CONSTANT CURRENT LED DRIVER FOR TYPE C T8 LAMPS

WIRING



STANDARD LEAD LENGTHS*

Input	Black	30.00"
	White	30.00"
Output	Red	30.00"
	Blue	30.00"
Dimming	Purple	30.00"
	Pink	30.00"

Lead wires are 18 AWG 105° C/600V.

*Consult Keystone for special lead length requirements.

ORDERING INFORMATION

Order Code	Pack Quantity	UPC	Easy Code
KTLD-1LT8-UV-12C-VDIM /G2	25	843654141077	NCY-98

CATALOG NUMBER BREAKDOWN

KTLD-1LT8-UV-12C-VDIM /G2

- 1
- 2
- 3
- 4
- 5
- 6
- 7

- 1** Keystone Technologies LED Driver
- 2** Number of Lamps
- 3** Lamp Type
- 4** 120-277V Input
- 5** Lamp Wattage
- 6** 0-10V Dimming
- 7** Generation 2