

KT-LED12T8-48G-BL-D

T8 LED BLACK LIGHT LAMP

DESCRIPTION

12W T8 LED | High-Efficiency | Single-ended Wiring



LAMP TYPE: Linear

BULB TYPE: T8 LED

BASE TYPE: G13 (Medium Bi-Pin)

WATTAGE: 12W

WAVELENGTH: 365nm



PRODUCT FEATURES

- Replacement for conventional ultraviolet lamp
- BLB glass minimizes visible UV light
- 20,000+ hour lifetime
- Approximately 40% more energy efficient than standard F40T8 BLB lamps
- Environmentally friendly: No mercury used
- Operating temperature: -20°C/-4°F to 45°C/113°F
- Integral driver (isolated) eliminates the need for external driver or ballast
- Instant startup

OPERATING SPECIFICATIONS

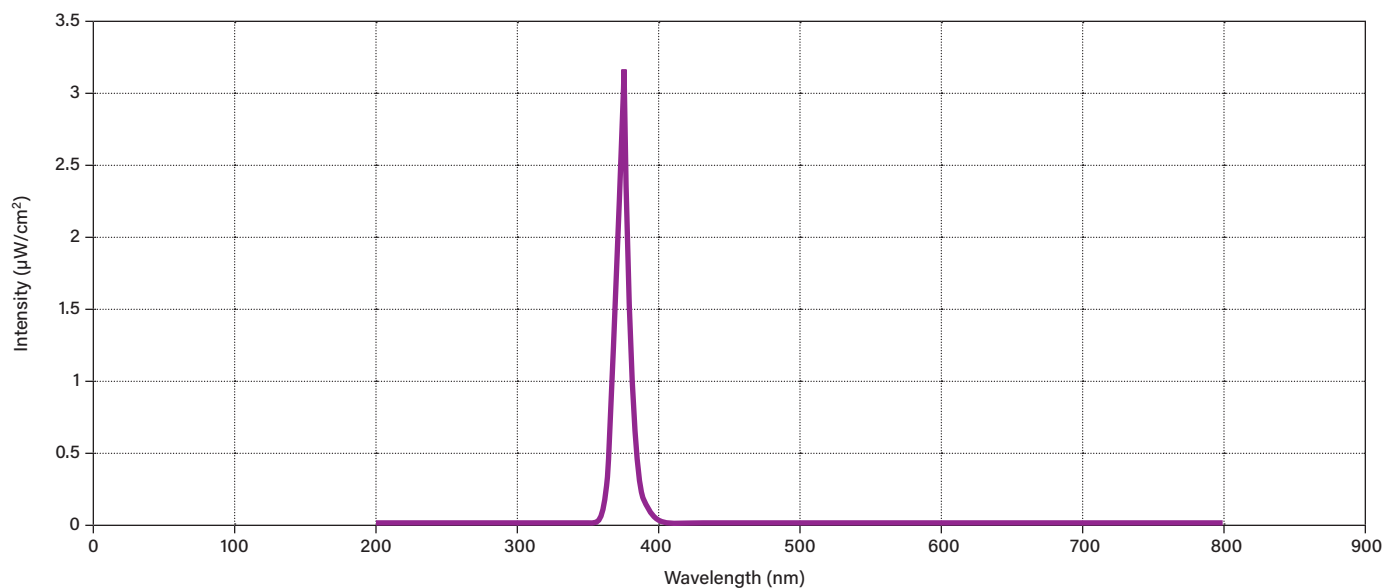
ELECTRICAL CHARACTERISTICS

Input Voltage	Input Current	Power Consumption	Power Factor	UV Wavelength	UVA OUT (1m) (μW/cm ²)
120-277Vac	0.10A @ 120V 0.04A @ 277V	12W	>0.9	365nm	33

RATED LIFE

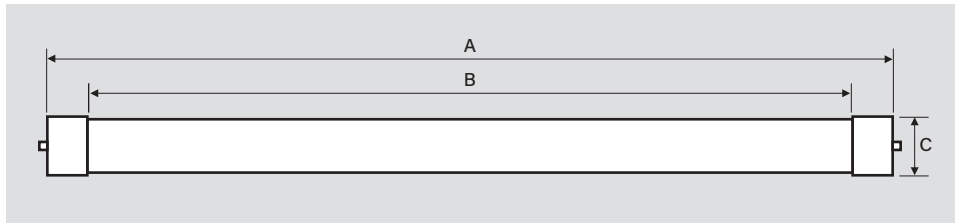
L70 (Hours)	20,000
-------------	--------

ULTRAVIOLET WAVELENGTH



KT-LED12T8-48G-BL-D
T8 LED BLACK LIGHT LAMP

PHYSICAL CHARACTERISTICS



LAMP DIMENSIONS

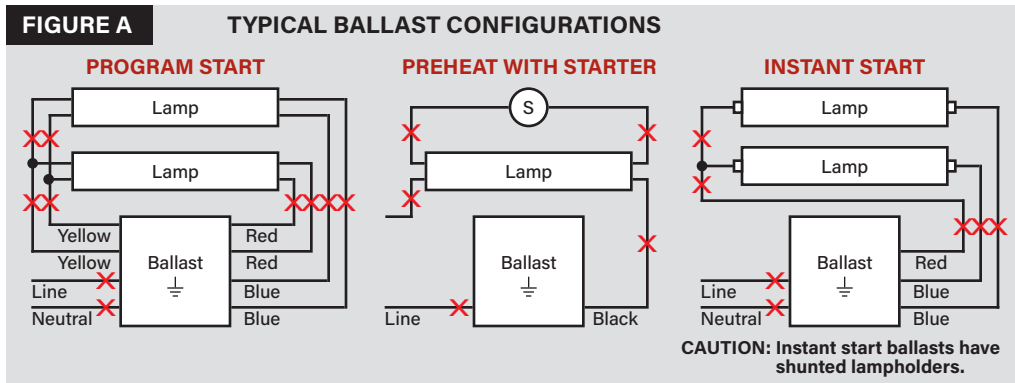
A (Body Length)	47.22"
B (Illuminated Length)	44.31"
C (Diameter)	1.10"

NOMINAL LENGTH: 48"

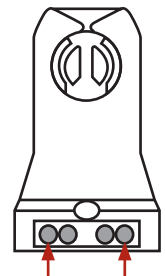
BASE TYPE: G13 (Medium Bi-Pin)

SINGLE-ENDED WIRING DIAGRAM

1. Cut all existing connections to ballast as shown below and remove ballast. See *Figure A* for typical ballast configurations. **Note: Single-ended wiring requires non-shunted lampholders.**



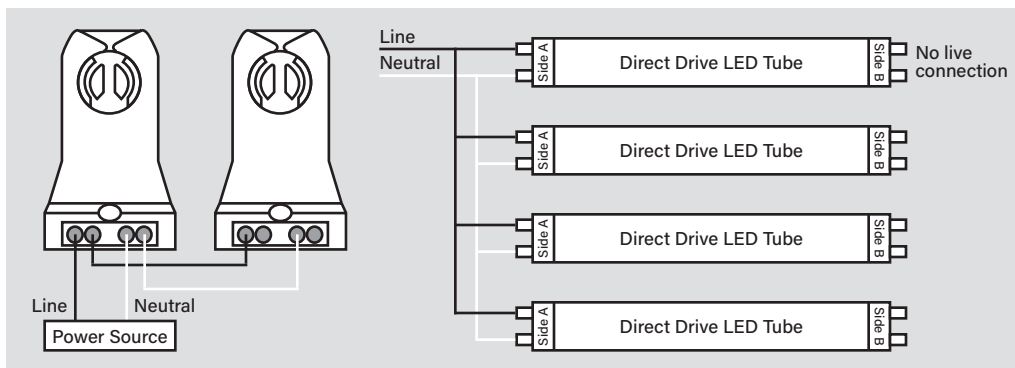
TYPICAL NON-SHUNTED LAMPHOLDER



Connect wires directly to these terminals

CAUTION: FOR SINGLE-ENDED WIRING USE ONLY NON-SHUNTED LAMPHOLDERS.

2. Rewire fixture as shown below.



Caution: These lamps emit light in the UV-A Light spectrum (315–400nm) during operation. Avoid prolonged and / or repeated exposure under light source and do not stare directly at the light source. Exposure at less than 12" should be limited. Certain medications and chemicals can increase an individual's sensitivity. Consult your physician for specific information. Protective eyewear should be worn in occupational situations involving long-term exposure in close proximity to the lamp. This lamp is not intended and should not be used for diagnostic, therapeutic, or cosmetic purposes.



KT-LED12T8-48G-BL-D

T8 LED BLACK LIGHT LAMP

ORDERING INFORMATION

ORDER CODE	PACK QTY.	ITEM STATUS
KT-LED12T8-48G-BL-D	25	Quick Ship

CATALOG NUMBER BREAKDOWN

KT-LED12T8-48G-BL-D

1
2
3
4
5
6
7
8

- 1 Keystone Technologies
- 2 LED Lamp
- 3 Wattage
- 4 Lamp Type
- 5 Nominal Length (Inches)
- 6 Glass Construction
- 7 Black Light
- 8 Direct Drive