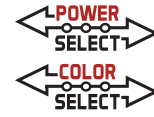




ADVANTA



KT-RDLEDXXPS-XA-9CSF-CDIM LED RECESSED DOWNLIGHT

INSTALLATION INSTRUCTIONS

PLEASE FIND A QUALIFIED ELECTRICIAN FOR INSTALLATION. Please read the instructions before you install and use the fixture.

APPLICATION

Ideal for residential, hospitality, retail, office, and other retrofit and new construction applications

SAFETY AND ELECTRICAL PARAMETERS

WARNING

- Before installing, servicing, or performing routine maintenance upon this equipment, follow these general precautions.
- Risk of fire or electric shock. LED retrofit kit installation requires knowledge of luminaire electrical systems. If not qualified, do not attempt installation; contact a qualified electrician.
- Risk of fire or electric shock. Install this kit only in luminaires that have the construction features and dimensions shown in the photographs and/or drawings and where the input rating of the retrofit kit does not exceed the input rating of the luminaire.
- To reduce the risk of death, personal injury or property damage from fire, electric shock, failing parts, cuts/abrasions, and other hazards, read all warnings and instructions with and on the fixture box and all fixture labels.
- Installers should not disconnect existing wires from lampholder terminals to make new connections at lampholder terminals. Instead, installers should cut existing lampholder leads away from the lampholder and make new electrical connections to lampholder lead wires by employing applicable connectors.
- This retrofit kit is accepted as a component of a luminaire where the suitability of the combination shall be determined by authorities having jurisdiction.
- To prevent wiring damage or abrasion, do not expose wiring to edges of sheet metal or other sharp objects.
- Do not make or alter any open holes in an enclosure of wiring or electrical components during kit installation.
- Turn off electrical power at fuse or circuit breaker box before wiring fixture to the power supply.
- Turn off the power when you perform any maintenance.
- Verify that supply voltage is correct by comparing it with the luminaire label information.
- This device is not intended for use with emergency exits.

CAUTION

- Avoid direct eye exposure to the light source while it is on.
- Account for small parts and destroy packing material, as these may be hazardous to children.
- Risk of burn. Disconnect power and allow fixture to cool before changing bulb or handling fixture.

NOTICE

- Specifications and dimensions subject to change without notice.
- Suitable for wet locations.

This equipment has been tested and found to comply with the limits for a Class A digital device, pursuant to Part 15 of the FCC Rules. These limits are designed to provide reasonable protection against harmful interference in a commercial installation. This equipment generates, uses and can radiate radio interference energy and, if not installed and used in accordance with the instructions, may cause harmful interference to radio communications. However, there is no guarantee that interference will not occur in a particular installation. If this equipment does cause harmful interference to radio or television reception, which can be determined by turning the equipment off and on, the user is encouraged to try to correct the interference by one or more of the following measures:

- Reorient or relocate the receiving antenna.
- Increase the separation between the equipment and receiver.
- Connect the equipment into an outlet on a circuit different from that to which the receiver is connected.
- Consult the dealer or an experienced radio/TV technician for help.

COMPONENTS INCLUDED IN KIT

Part	Quantity
LED Recessed Downlight Fixture	1
Installation Hole Template	1

CAUTION: Before installing, ensure that AC power to the fixture is off.
CAUTION: The electrical rating of this product is 120–277V. Installer must confirm that there is 120–277V at the fixture before installation.



POWER SELECT (WATTAGE), COLOR SELECT (CCT)

This fixture is equipped with Power Select and Color Select technology.

1. Ensure power is off to the fixture.
2. Adjust switches to desired settings (see illustration below)
3. Re-connect power when ready.



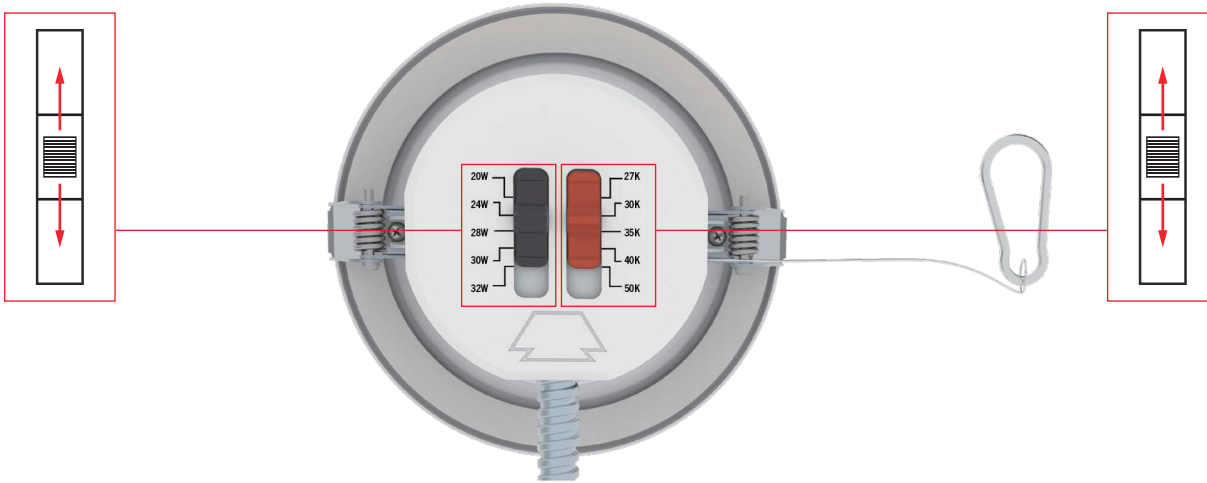
POWER SELECT ADJUSTMENT

Set dip switch to adjust power between 5 available wattages. Fixture comes preset at highest wattage.



COLOR SELECT ADJUSTMENT

Set dip switch to adjust CCT between 2700/3000/3500/4000/5000K. Fixture comes preset at 5000K.



KT-RDLED13PS-4A-9CSF-CDIM

Wattage	CCT
5.5W 7W 9W 10W 13W	2700K
	3000K
	3500K
	4000K
	5000K

KT-RDLED24PS-6A-9CSF-CDIM

Wattage	CCT
9.5W 13W 18.5W 21W 22W	2700K
	3000K
	3500K
	4000K
	5000K

KT-RDLED24PS-6A-9CSF-CDIM

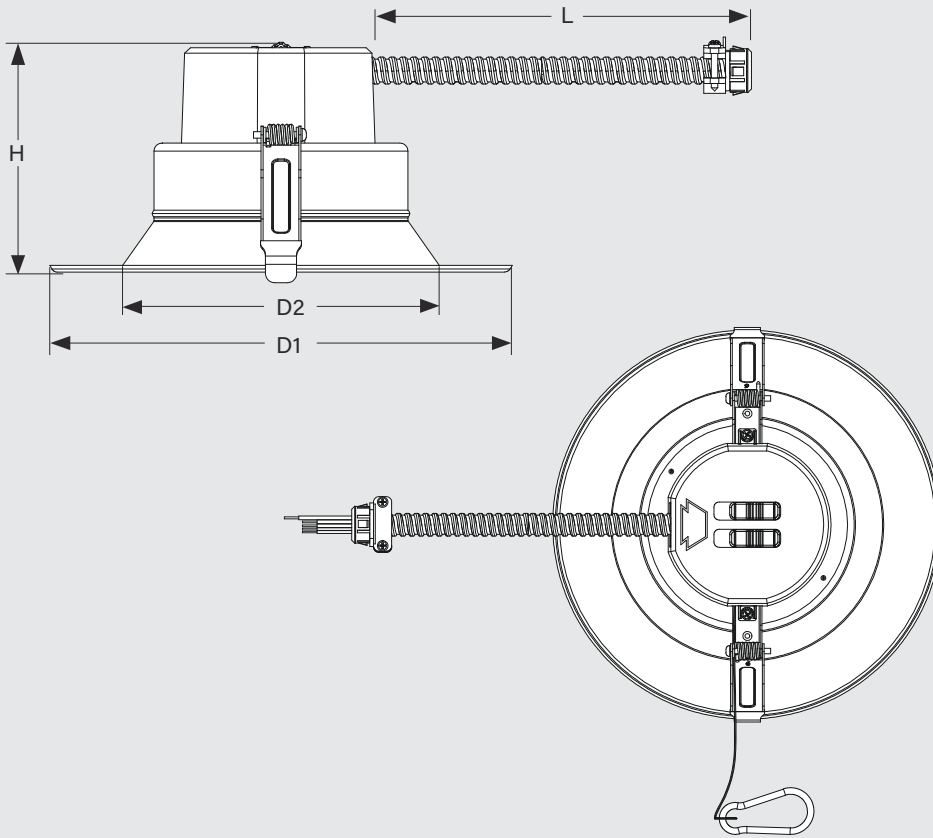
Wattage	CCT
16W 20W 23W 27W 30W	2700K
	3000K
	3500K
	4000K
	5000K

KT-RDLED38PS-10A-9CSF-CDIM

Wattage	CCT
20W 24W 28W 32W 38W	2700K
	3000K
	3500K
	4000K
	5000K

PHYSICAL SPECIFICATIONS

KT-RDLEDXPS-XA-9CSF-CDIM



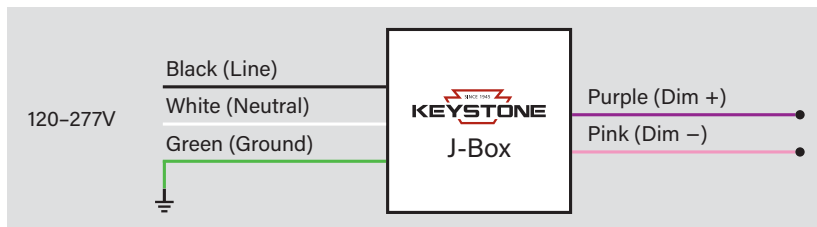
KT-RDLED13PS-4A-9CSF-CDIM	
L (Length)	25.59"
H (Height)	3.71"
D1 (Diameter 1)	5.98"
D2 (Diameter 2)	4.43"
Cut-Out (Min to Max)	Ø 4.52" to Ø 5.67"

KT-RDLED24PS-6A-9CSF-CDIM	
L (Length)	25.59"
H (Height)	4.49"
D1 (Diameter 1)	8.41"
D2 (Diameter 2)	5.76"
Cut-Out (Min to Max)	Ø 5.89" to Ø 8.10"

KT-RDLED30PS-8A-9CSF-CDIM	
L (Length)	25.59"
H (Height)	4.51"
D1 (Diameter 1)	10.04"
D2 (Diameter 2)	7.14"
Cut-Out (Min to Max)	Ø 7.09" to Ø 9.72"

KT-RDLED38PS-10A-9CSF-CDIM	
L (Length)	25.59"
H (Height)	4.98"
D1 (Diameter 1)	11.38"
D2 (Diameter 2)	8.48"
Cut-Out (Min to Max)	Ø 8.47" to Ø 10.98"

WIRING SPECIFICATIONS



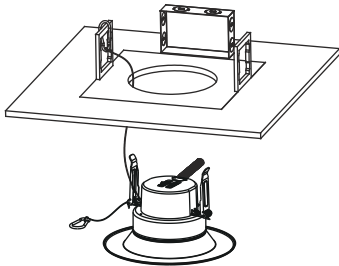
INSTALLATION INSTRUCTIONS

RETROFIT INSTALLATION

- 1. Shut off power at the source of the fixture housing into which you are installing fixture.** Remove existing trim, CFL or incandescent bulb.

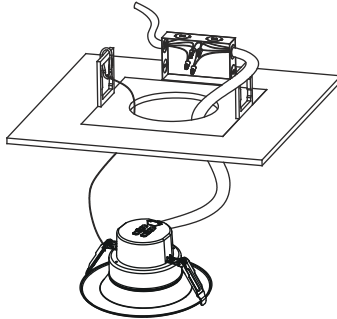
Note: Follow all federal and local regulations when disposing of lamps and removed components.

- 4.** Attach carabiner safety clip to the existing fixture housing.



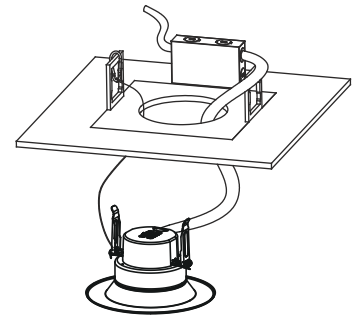
- 2.** Measure ceiling opening to ensure that the edge of the luminaire will cover the entire opening and still sit firmly in the ceiling (see *Dimensions* on page 2).

- 5.** Insert lamp conduit into J-box and wire to power source (see *Wiring Diagram* above). Reattach J-Box when done.

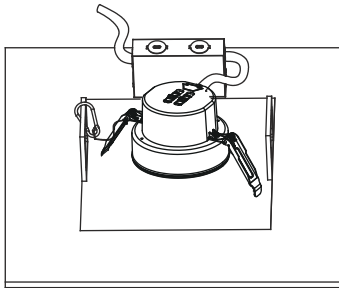


- 3.** Select desired Wattage and CCT using adjustment switches on fixture (see *Power Select (Wattage) and Color Select (CCT) Adjustment* on page 2).

- 6.** Squeeze the two housing clips so they are in an upright position and then insert lamp into housing.



- 7.** Once lamp is inside housing, release housing clips and continue to push lamp into housing until securely fixed and flush with ceiling. Restore power.



(Installation Instructions continue on next page)

INSTALLATION INSTRUCTIONS**NEW CONSTRUCTION INSTALLATION***

1. Shut off power at the source of the fixture housing into which you are installing fixture.

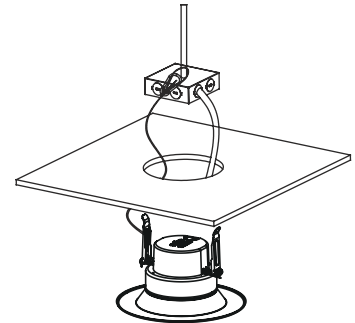
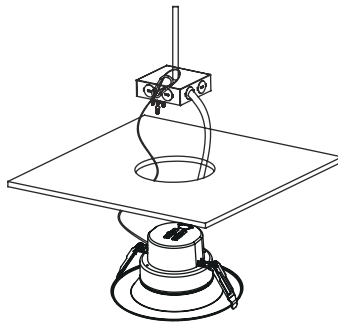
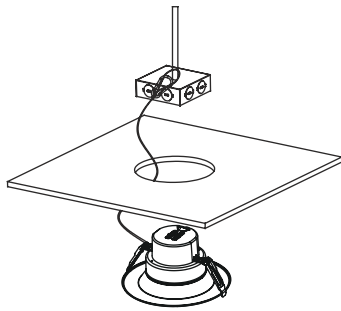
2. Create ceiling opening to ensure that the edge of the luminaire will cover the entire opening and still sit firmly in the ceiling (see *Dimensions* on page 2).

3. Select desired Wattage and CCT using adjustment switches on fixture (see *Power Select (Wattage) and Color Select (CCT) Adjustment* on page 2).

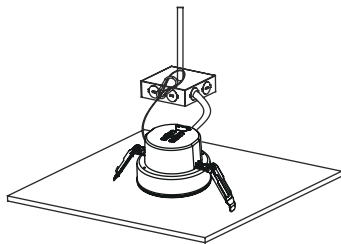
4. Attach carabiner safety clip to the existing fixture housing.

5. Insert lamp conduit into J-box and wire to power source (see Wiring Diagram above). Reattach J-box cover when done.

6. Squeeze the two housing clips so they are in an upright position and then insert lamp into housing.



7. Once lamp is inside housing, release housing clips and continue to push lamp into housing until securely fixed and flush with ceiling. Restore power.



* Keystone offers an optional new-construction plate for both new joist and T-grid installations. See Optional Accessories (sold separately) on pages 7 to 7

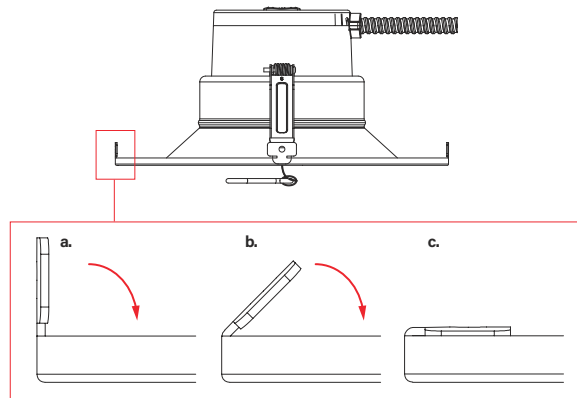
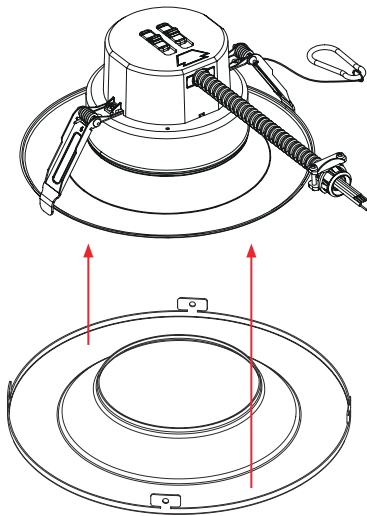
OPTIONAL ACCESSORIES (Sold Separately)
INTERCHANGEABLE TRIM FOR LED RECESSED DOWNLIGHTS

KT-RDLEDXPS-XA-9CSF-CDIM

Size	D1 (Diameter 1)	D2 (Diameter 2)	D3 (Diameter 3)	H1 (Height 1)	H2 (Height 2)	H3 (Height 3)
4"	6.12"	4.49"	3.66"	0.72"	0.69"	0.21"
6"	8.52"	5.73"	4.50"	1.05"	0.69"	0.21"
8"	10.14"	6.92"	4.81"	1.24"	0.70"	0.22"
10"	11.48"	8.43"	5.39"	1.69"	0.70"	0.22"

INSTALLATION INSTRUCTIONS

1. Clamp trim ring over fixture trim.
2. Secure trim ring to lighting fixture by bending tabs until trim ring is flush with trim.



ORDERING INFORMATION

Catalog Number	Description	UPC	Easy Code
KT-RDLED-6A-MB-TRIM	6" Interchangeable Trim for 6" Recessed Downlight; Matte Black	843654137155	TCP-85
KT-RDLED-6A-BN-TRIM	6" Interchangeable Trim for 6" Recessed Downlight; Brushed Nickel	843654137186	CZZ-70
KT-RDLED-6A-BR-TRIM	6" Interchangeable Trim for 6" Recessed Downlight; Bronze	843654137216	CUN-05
KT-RDLED-8A-MB-TRIM	8" Interchangeable Trim for 8" Recessed Downlight; Matte Black	843654137162	XEY-99
KT-RDLED-8A-BN-TRIM	8" Interchangeable Trim for 8" Recessed Downlight; Brushed Nickel	843654137193	VKJ-61
KT-RDLED-8A-BR-TRIM	8" Interchangeable Trim for 8" Recessed Downlight; Bronze	843654137223	MSA-34
KT-RDLED-10A-MB-TRIM	10" Interchangeable Trim for 10" Recessed Downlight; Matte Black	843654137179	HWB-59
KT-RDLED-10A-BN-TRIM	10" Interchangeable Trim for 10" Recessed Downlight; Brushed Nickel	843654137209	NLB-18
KT-RDLED-10A-BR-TRIM	10" Interchangeable Trim for 10" Recessed Downlight; Bronze	843654137230	KSN-09

(Optional Accessories continue on next page)

ORDERING INFORMATION (Continued)

Catalog Number	Description	UPC	Easy Code
KT-RDLED-4A-WW-TRIM	4" Wall Wash Trim for Recessed Commercial Downlights, White	843654169057	GWF-89
KT-RDLED-4A-SR-TRIM	4" Hazy Chrome Reflector with White Flange Trim for Commercial Downlights	843654169095	QSO-54
KT-RDLED-6A-WW-TRIM	6" Wall Wash Trim for Recessed Commercial Downlights, White	843654169064	VBH-02
KT-RDLED-6A-SR-TRIM	6" Hazy Chrome Reflector with White Flange Trim for Commercial Downlights	843654169101	MXS-27
KT-RDLED-8A-WW-TRIM	8" Wall Wash Trim for Recessed Commercial Downlights, White	843654169071	OSI-29
KT-RDLED-8A-SR-TRIM	8" Hazy Chrome Reflector with White Flange Trim for Commercial Downlights	843654169118	LMT-71

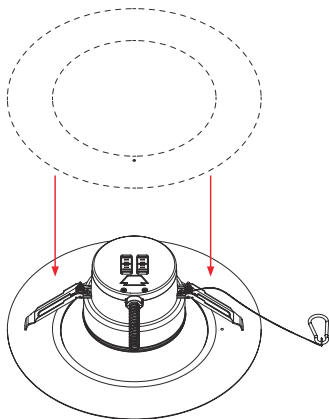
OPTIONAL ACCESSORIES (Sold Separately)
GOOF RING FOR LED RECESSED DOWNLIGHTS

KT-RDLEDXPS-XA-9CSF-CDIM

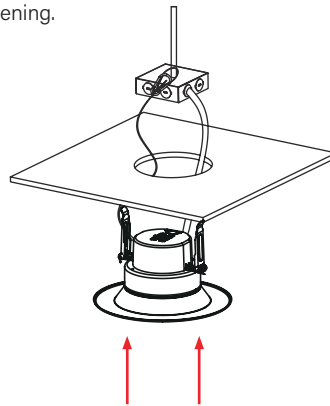
Size	D1 (Diameter 1)	D2 (Diameter 2)	H (Height)
4"	6.50"	4.57"	0.04"
6"	10.51"	6.30"	0.04"
8"	12.52"	8.07"	
10"	14.17"	9.06"	

INSTALLATION INSTRUCTIONS

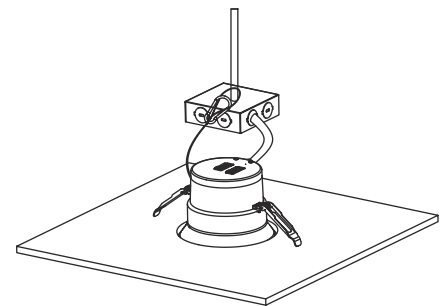
1. Slide goof ring over fixture.



2. Squeeze the two housing clips so they are in an upright position, then insert lamp into opening.



3. Once lamp is inside opening, release housing clips and continue to push lamp into opening until securely fixed and flush with ceiling.



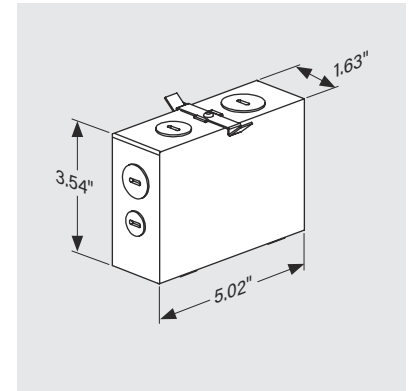
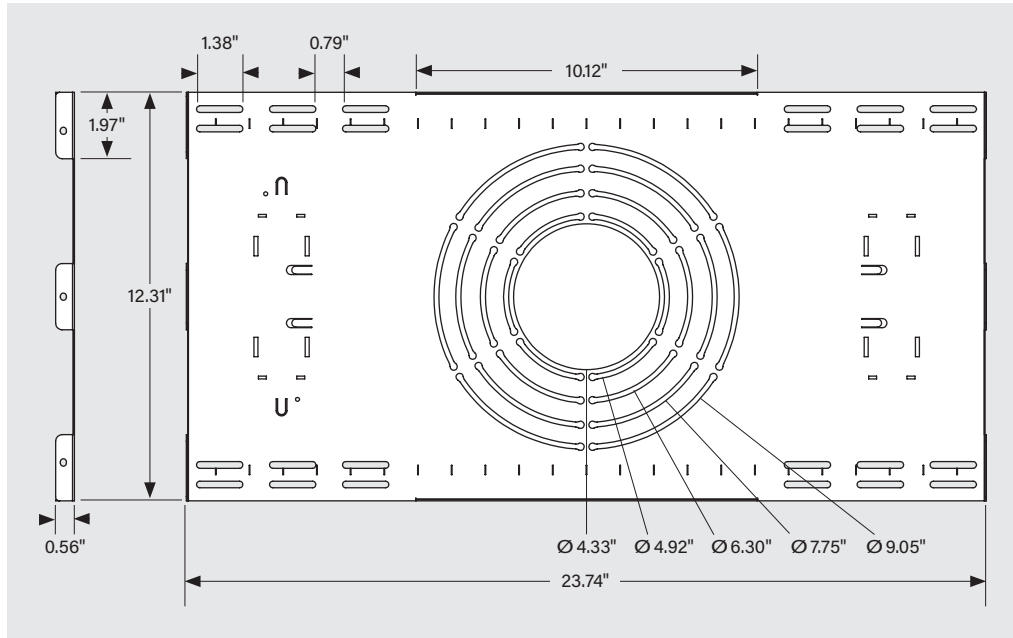
ORDERING INFORMATION

Catalog Number	Description	UPC	Easy Code
KT-RDLED-6A-GOOF	6" Goof Ring for 6" Recessed Downlights; 10.51" outer diameter	843654137247	LFJ-16
KT-RDLED-8A-GOOF	8" Goof Ring for 8" Recessed Downlights; 12.51" outer diameter	843654137254	UDK-67
KT-RDLED-10A-GOOF	10" Goof Ring for 10" Recessed Downlights; 14.17" outer diameter	843654137261	XHZ-21

(Optional Accessories continue on next page)

OPTIONAL ACCESSORIES (Sold Separately)

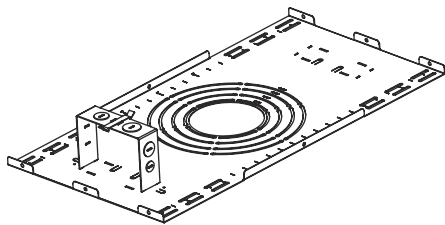
NEW CONSTRUCTION PLATE FOR LED RECESSED DOWNLIGHTS



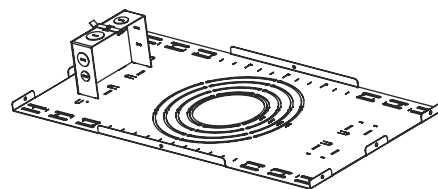
* J-Box sold separately

INSTALLATION INSTRUCTIONS (J-Box* onto New Construction Plate)

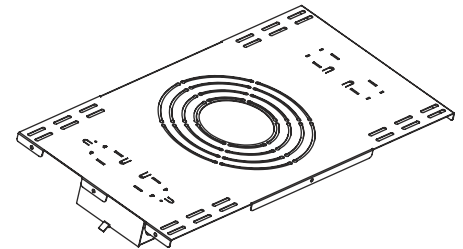
1. Insert bottom tabs of j-box into correct holes of plate.



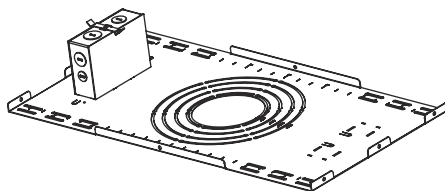
2. Insert side plates into j-box.



3. Underneath plate, bend j-box tabs with pliers to secure j-box to plate.



4. Installation complete.



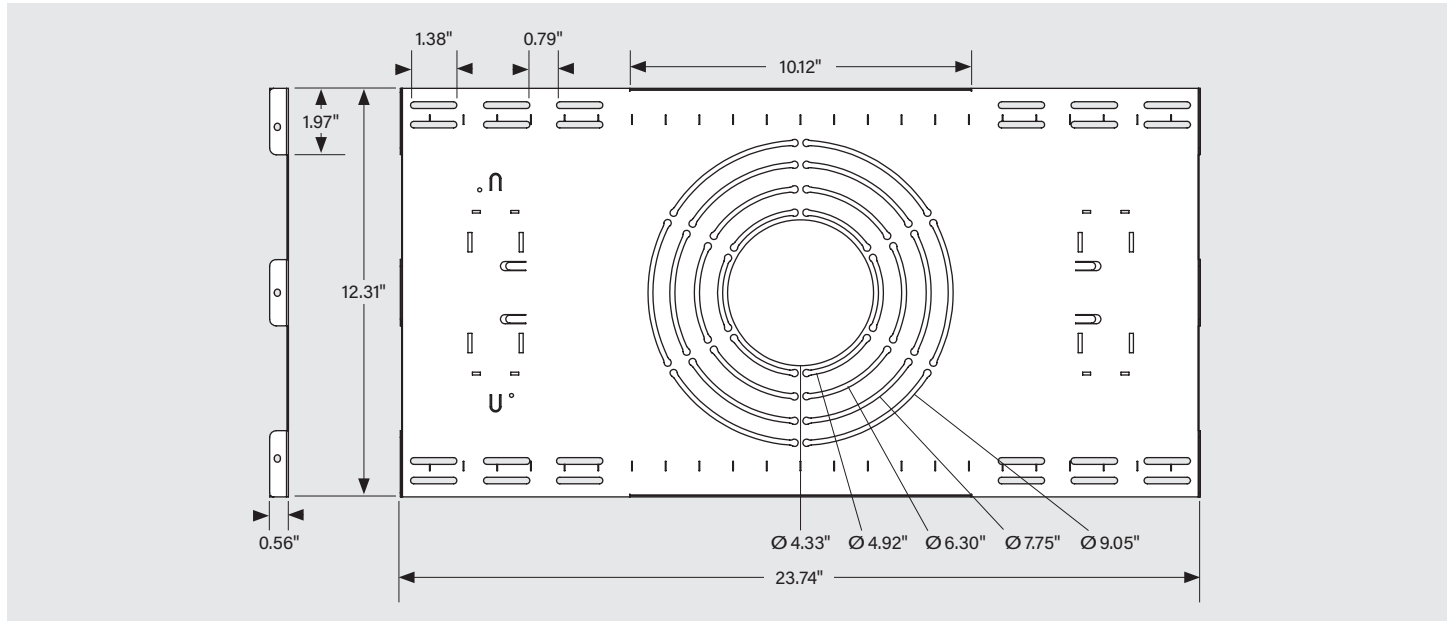
ORDERING INFORMATION

Catalog Number	Description	UPC	Easy Code
KT-RDLED-6A-MB-TRIM	6" Interchangeable Trim for 6" Recessed Downlight; Matte Black	843654137155	TCP-85
KT-RDLED-6A-BN-TRIM	6" Interchangeable Trim for 6" Recessed Downlight; Brushed Nickel	843654137186	CZZ-70

(Optional Accessories continue on next page)

OPTIONAL ACCESSORIES (Sold Separately)

NEW CONSTRUCTION PLATE FOR LED RECESSED DOWNLIGHTS

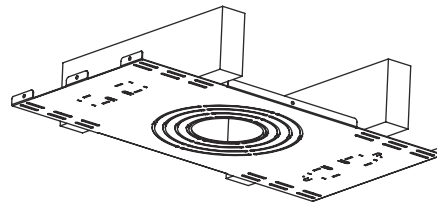
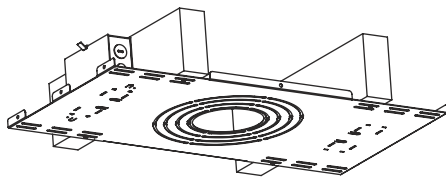


INSTALLATION INSTRUCTIONS (Plate with Ceiling Joists)

1. Align new construction plate with ceiling joists.

2. Secure plate to joists with appropriate screws (not included).

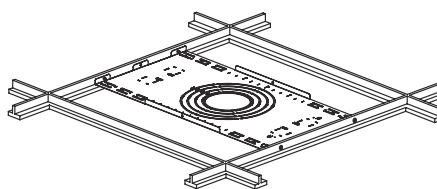
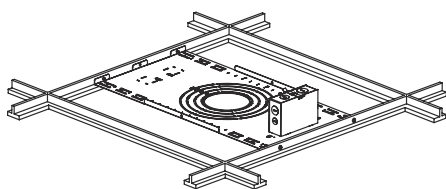
Note: Plate comes out of the box ready to be installed onto joists that have 12" or 16" spacing. To fit plate onto joists that have 24" spacing, simply bend down end tabs and screw to joists.



INSTALLATION INSTRUCTIONS (Plate with T-Grid)

1. Lay new construction plate into T-grid.

2. Secure plate to T-grid with appropriate screws (not included).



ORDERING INFORMATION

Catalog Number	Description	UPC	Easy Code
KT-RDLED-PLATE-1	New-construction plate for LED Recessed Downlights	843654137285	BMS-81
KT-RDLED-JBOX-1-KIT	Junction box for LED recessed downlights	843654137278	HJA-70

FIXTURE ORDERING INFORMATION

Catalog Number	Carton QTY	UPC	Easy Code
KT-RDLED13PS-4A-9CSF-CDIM	1	843654168852	QWE-95
KT-RDLED24PS-6A-9CSF-CDIM	1	843654168869	QAS-24
KT-RDLED30PS-8A-9CSF-CDIM	1	843654168876	GJA-60
KT-RDLED38PS-10A-9CSF-CDIM	1	843654168883	ADT-41

FRENCH TRANSLATIONS PLACE HOLDER**INSTALLATION INSTRUCTIONS****INSTRUCTIONS D'INSTALLATION**

PLEASE FIND A QUALIFIED ELECTRICIAN FOR INSTALLATION. Please read the instructions before you install and use the fixture.

VEUILLEZ FAIRE APPEL À UN ÉLECTRICIEN QUALIFIÉ POUR L'INSTALLATION. Veuillez lire les instructions avant d'installer et d'utiliser le luminaire. Instructions d'installation

APPLICATION**APPLICATION****SAFETY AND ELECTRICAL PARAMETERS****PARAMÈTRES DE SÉCURITÉ ET ÉLECTRIQUES****COMPONENTS INCLUDED IN KIT****COMPOSANTS INCLUS DANS LE KIT****WARNING****AVERTISSEMENT****CAUTION****PRUDENCE****NOTICE****AVIS**

Part

Partie

Quantity

Quantité

WIRING SPECIFICATIONS**SPÉCIFICATIONS DE CÂBLAGE****POWER SELECT (WATTAGE), COLOR SELECT (CCT)****SÉLECTION DE PUISSANCE (WATTAGE), SÉLECTION DE COULEUR (CCT)**

Power Select Adjustment

Réglage de la Sélection de Puissance

Color Select Adjustment

Réglage de la Sélection des Couleurs

ORDERING INFORMATION**INFORMATIONS DE COMMANDE****INSTALLATION INSTRUCTIONS (CONTINUED)****INSTRUCTIONS D'INSTALLATION (SUITE)***(Installation Instructions continue on next page)**(Les instructions d'installation continuent sur la page suivante)***MOUNTING****MONTAGE**

Catalog Number

Numéro De Catalogue

Description

Description

UPC

UPC

Easy Code

Code Facile