



PRODUCT FEATURES

- ANSI Designation: M57/H39
- Line Voltage: 120//277
- Regulation: 5%
- Frequency: 60 Hz
- Recommended Fuse (A): 5/3
- Circuit Type: CWA
- Insulation Class: 105°C
- Capacitor Value: 10 MF
- Capacitor Voltage Rating: 440 V
- Capacitor Temperature Rating: 90°C
- Winding Materials: Cu/Cu
- Lamp Starter: N/A
- Agency Certification: RU, cRU
- Maximum Distance to Lamp: 10 FT
- 2 Year Warranty

LAMP TYPE: 175W MH

INPUT VOLTAGE: Dual (120/277)

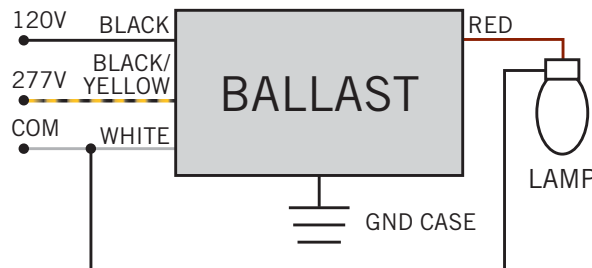
CIRCUIT TYPE: CWA

ELECTRICAL SPECIFICATIONS

LINE VOLT (V)	POWER FACTOR	LINE CURRENT			INPUT POWER (W)	OPEN CIRCUIT VOLTAGE (V)	MINIMUM START TEMP	UL TEMP CODE	WIRING DIAGRAM
		OPERATING	OPEN	START					
120	High	1.85	1.19	1.66	202	280	-30°C	A	FC1-1
277	High	0.82	0.53	0.63	205	280	-30°C	A	FC1-1

WIRING DIAGRAMS

DIAGRAM FC1-1

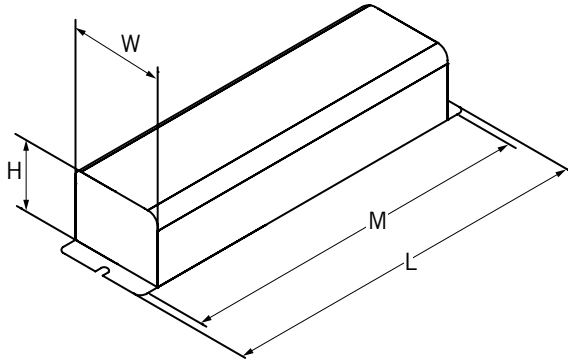




MH-175A-D-FCAN

175W METAL HALIDE

CASE STYLE/DIMENSIONS



OVERALL DIMENSIONS

LENGTH: 11.80"
WIDTH: 3.23"
HEIGHT: 2.75"
MOUNTING: 11.40"

LEAD LENGTH: 12-14"

BALLAST NET WEIGHT: 12.99 lbs

ORDERING INFORMATION

ORDER CODE	PACKAGING STYLE	PACK QTY.	ITEM STATUS
MH-175A-D-FCAN		1	Quick Ship

CATALOG NUMBER BREAKDOWN

MH-175A-D-FCAN

