



PRODUCT FEATURES

- ANSI Designation: M48
- Line Voltage: 120/208/240/277/480
- Regulation: 10%
- Frequency: 60 Hz
- Recommended Fuse (A): 40/25/20/20/10
- Circuit Type: CWA (Without Ignitor)
- Insulation Class: 180°C
- Capacitor Value: 32 MF
- Capacitor Voltage Rating: 525 V
- Capacitor Temperature Rating: 90°C
- Winding Materials: Cu/Cu
- Lamp Starter: N/A
- Agency Certification: RU, cRU
- Maximum Distance to Lamp: N/A
- 2 Year Warranty

LAMP TYPE: 1500W MH

INPUT VOLTAGE: 5 Tap (120/208/240/277/480)

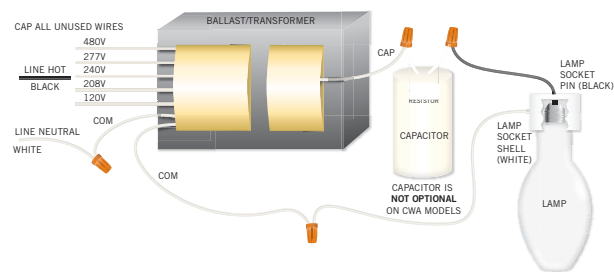
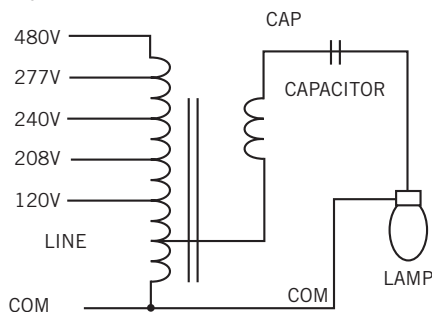
CIRCUIT TYPE: CWA (Without Ignitor)

ELECTRICAL SPECIFICATIONS

LINE VOLT (V)	POWER FACTOR	LINE CURRENT			INPUT POWER (W)	OPEN CIRCUIT VOLTAGE (V)	MINIMUM START TEMP	UL TEMP CODE	WIRING DIAGRAM
		OPERATING	OPEN	START					
120	High	13.60	3.94	13.20	1610	453	-30°C	G	H8
208	High	7.73	2.15	7.76	1610	453	-30°C	E	H8
240	High	6.75	1.89	6.55	1610	453	-30°C	F	H8
277	High	5.92	1.71	5.73	1610	453	-30°C	F	H8
480	High	3.44	1.02	3.30	1610	453	-30°C	G	H8

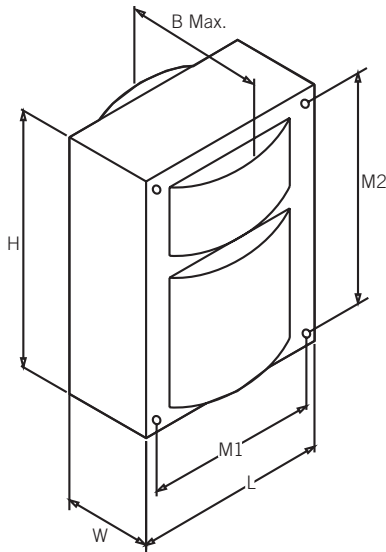
WIRING DIAGRAMS

DIAGRAM H8



COLORS SHOWN REPRESENT THE MOST COMMON CONFIGURATION. HOWEVER, DEPENDING ON THE APPLICATION AND LOCAL CODE, SLIGHT DIFFERENCES MAY EXIST.

CASE STYLE/DIMENSIONS



OVERALL DIMENSIONS

LENGTH: 4.25"
WIDTH: 4.13"
HEIGHT: 6.00"
B MAX: 6.69"

MOUNTING HOLES

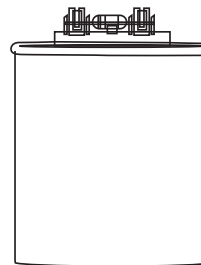
DIAMETER: 0.25"
M1: 3.87"
M2: 5.37"

BRACKET DIMENSIONS

LENGTH: 7.25"
WIDTH: 1.11"

LEAD LENGTH: 12-14"

BALLAST NET WEIGHT: 30.42 lbs



CAPACITOR INFO

WATTAGE: 1500
MICROFARAD: 32
VOLTAGE: 525V
TYPE: Oil Filled

ORDERING INFORMATION

ORDER CODE	PACKAGING STYLE	PACK QTY.	ITEM STATUS
MH-1500A-P-KIT		1	Quick Ship
*Kit Includes: Pre-Wired Ballast, Capacitor, Mounting Brackets, Mounting Hardware			

CATALOG NUMBER BREAKDOWN

MH-1500A-P-KIT

