

# KTEB-254HO-UV-PS-SL

## T5HO ELECTRONIC BALLAST

Version D2

### DESCRIPTION

2 x F54T5HO | 120-277 Multi-Voltage | HPF | Program Start | 90°C Rated | 9" Case



<b>STARTING METHOD:</b> Program Start
<b>LAMP CONNECTION:</b> Series
<b>INPUT VOLTAGE:</b> 120-277Vac ±10%
<b>INPUT FREQUENCY:</b> 50/60 Hz
<b>POWER FACTOR:</b> High
<b>WARRANTY:</b> 5 Years



### PRODUCT FEATURES

- 2014 DOE Compliant
- Sound Rated: A
- Minimum Starting Temperature: -20°F, -29°C
- Maximum Case Temperature: 194°F, 90°C
- Meets FCC Part 18 (Class A) Non-Consumer Limits
- Meets ANSI Standard C82.11 and C62.41
- Output Voltage: 300V
- Voltage to Ground: 350V
- UL, cUL Listed Class P, Type 1 Outdoor
- Lamp End-of-Life Protected
- Type HL, Type CC

### ELECTRICAL SPECIFICATIONS

LAMP TYPE	NO. OF LAMPS	INPUT VOLTS	INPUT WATTS	NOMINAL LINE AMPS	POWER FACTOR	BALLAST FACTOR	BALLAST EFFICACY FACTOR	MAX THD	CREST FACTOR	WIRING DIAGRAM
F54T5HO	2	120V	117	0.97	>0.90	1.00	0.85	<10%	<1.70	F2-12
		277V	114	0.41	>0.90	1.00	0.88	<12%	<1.70	F2-12
	1	120V	63	0.53	>0.90	1.02	1.62	<10%	<1.70	F1-11
		277V	62	0.23	>0.90	1.02	1.65	<15%	<1.70	F1-11
F54T5HO/ES (49W)	2	120V	110	0.93	>0.90	1.00	0.91	<10%	<1.70	F2-12
		277V	108	0.39	>0.90	1.00	0.93	<12%	<1.70	F2-12
	1	120V	55	0.46	>0.90	1.02	1.85	<10%	<1.70	F1-11
		277V	55	0.20	>0.90	1.02	1.85	<15%	<1.70	F1-11
FT55W/2G11	2	120V	108	0.90	>0.90	0.85	0.79	<10%	<1.70	P2-2
		277V	106	0.38	>0.90	0.85	0.80	<12%	<1.70	P2-2
	1	120V	58	0.48	>0.90	0.87	1.50	<10%	<1.70	P1-2
		277V	58	0.21	>0.90	0.87	1.50	<15%	<1.70	P1-2
FT50W/2G11	2	120V	117	0.97	>0.90	1.08	0.92	<10%	<1.70	P2-2
		277V	114	0.41	>0.90	1.08	0.95	<12%	<1.70	P2-2
	1	120V	63	0.52	>0.90	1.10	1.75	<10%	<1.70	P1-2
		277V	62	0.22	>0.90	1.10	1.77	<15%	<1.70	P1-2
FT36W/2G11	2	120V	83	0.68	>0.90	1.08	1.30	<10%	<1.70	P2-2
		277V	82	0.30	>0.90	1.08	1.32	<12%	<1.70	P2-2
	1	120V	42	0.35	>0.90	1.10	2.50	<10%	<1.70	P1-2
		277V	43	0.16	>0.90	1.10	2.40	<15%	<1.70	P1-2
F58T8	2	120V	108	0.95	>0.90	1.03	0.95	<10%	<1.70	F2-12
		277V	106	0.40	>0.90	1.03	0.97	<12%	<1.70	F2-12
	1	120V	58	0.48	>0.90	1.05	1.81	<10%	<1.70	F1-11
		277V	58	0.21	>0.90	1.05	1.81	<15%	<1.70	F1-11



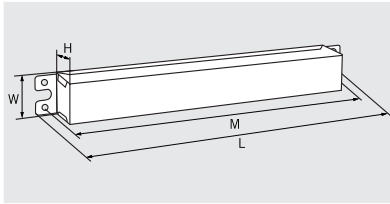
# KTEB-254HO-UV-PS-SL

## T5HO ELECTRONIC BALLAST

Version D2

### PHYSICAL SPECIFICATIONS

#### CASE DIMENSIONS



<b>LENGTH</b>	9.50"
<b>WIDTH</b>	1.70"
<b>HEIGHT</b>	1.18"
<b>MOUNTING</b>	8.90"
<b>CASE STYLE</b>	L5

#### STANDARD LEAD LENGTHS\*

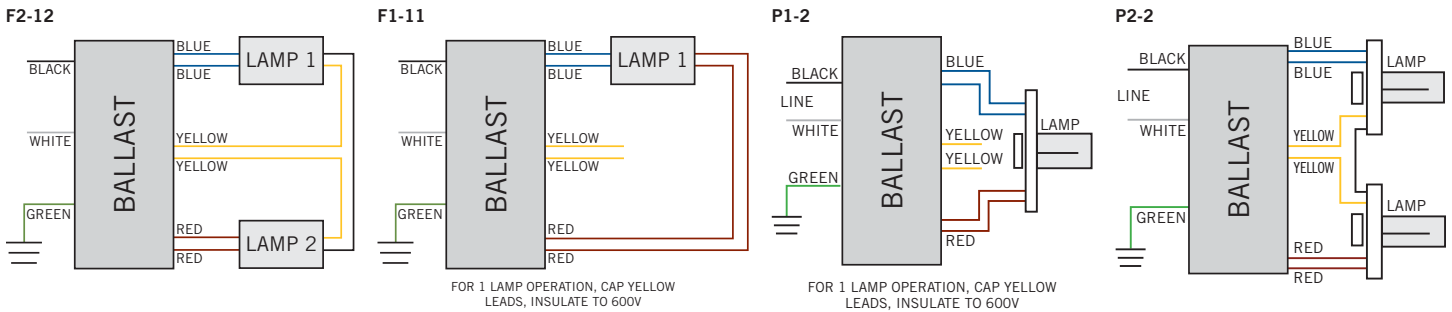
<b>BLACK</b>	25"
<b>WHITE</b>	25"
<b>BLUE</b>	32"
<b>RED</b>	32"
<b>YELLOW</b>	50"

Lead wires are 18 AWG 105 C/600V, solid copper.

**CASE MATERIAL:** Steel

\*Consult Keystone for special lead length requirements.

### WIRING DIAGRAMS



### ORDERING INFORMATION

ORDER CODE	PACKAGING STYLE	PACK QTY.	ITEM STATUS
KTEB-254HO-UV-PS-SL-DP	Distributor Pack	10	Quick Ship
KTEB-254HO-UV-PS-SL-CP	Carton Pack	10	Active

**NOTE:** Version D2 (Manufacturing Revision). Prior versions of this ballast exist. Spec sheets for prior versions available upon request. Contact Keystone for details.

### CATALOG NUMBER BREAKDOWN

# KTEB-254HO-UV-PS-SL-DP

