



KT-MSLEDXXPS-X-8CSA-VDIM

LED MICROSTRIP FIXTURE

INSTALLATION INSTRUCTIONS

PLEASE FIND A QUALIFIED ELECTRICIAN FOR INSTALLATION. Please read the instructions before you install and use the fixture.

APPLICATION

Used for commercial and industrial rugged or outdoor applications.

SAFETY AND ELECTRICAL PARAMETERS

Warning

- To reduce the risk of death, personal injury or property damage from fire, electric shock, falling parts, cuts/abrasions, and other hazards read all warnings and instructions included with and on the fixture box and all fixture labels.
- Before installing, servicing, or performing routine maintenance upon this equipment, follow these general precautions.
- Commercial installation, service and maintenance of luminaires should be performed by a qualified licensed electrician.
- For the installation: If you are unsure about the installation or maintenance of the luminaires, consult a qualified licensed electrician and check your local electrical code.
- To prevent wiring damage or abrasion, do not expose wiring to edges of sheet metal or other sharp objects.
- Do not make or alter any open holes in an enclosure of wiring or electrical components during kit installation.

Warning

- Turn off electrical power at fuse or circuit breaker box before wiring fixture to the power supply.
- Turn off the power when you perform any maintenance.
- Verify that supply voltage is correct by comparing it with the luminaire label information.
- All wiring connections should be capped with UL approved wire connectors.

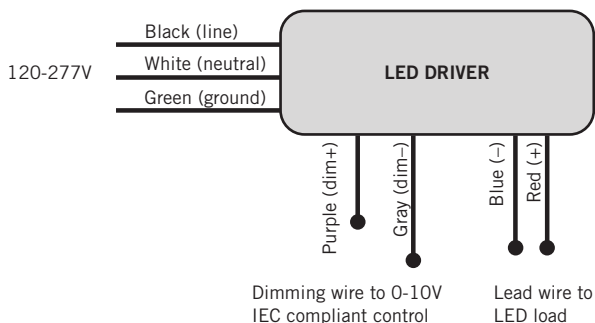
Caution

- Avoid direct eye exposure to the light source while it is on.
- Account for small parts and destroy packing material, as these may be hazardous to children.
- Risk of Burn. Disconnect power and allow fixture to cool before changing handling fixture.

Notice

- Green ground screw provided in proper location. Do not relocate.
- Minimum 90° supply conductors.
- Specifications and dimensions subject to change without notice.
- Suitable for dry or damp location.

General Wiring Diagram





KT-MSLEDXXPS-X-8CSA-VDIM

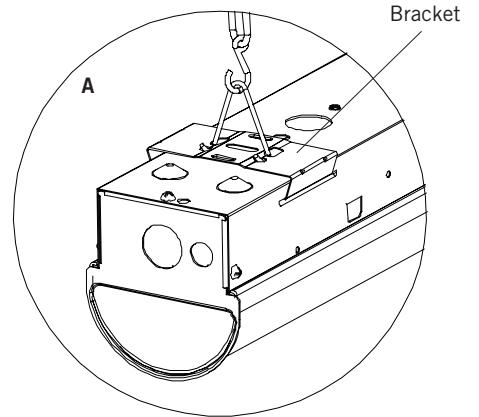
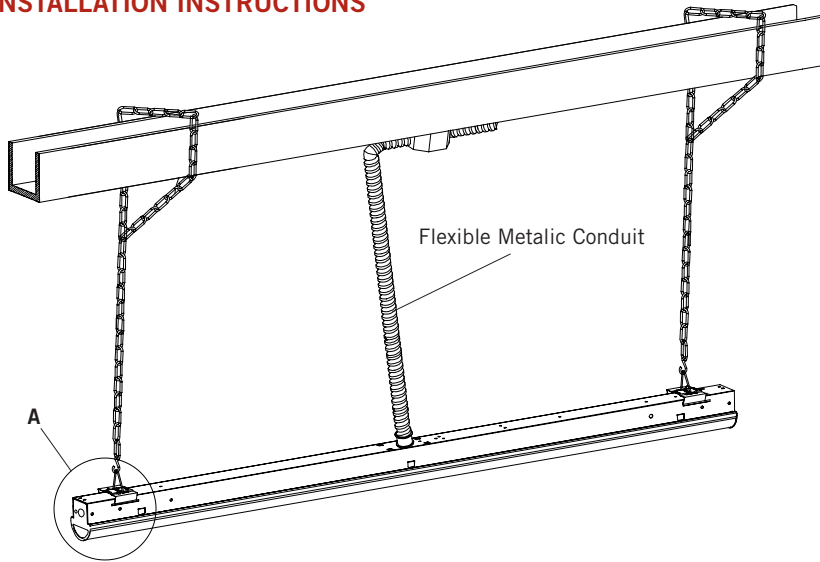
LED MICROSTRIP FIXTURE

PRODUCT SPECIFICATIONS

Catalog Number	Input Voltage	Wattage	Color Temperature	Lumens	Efficacy	Rated Life	CRI	Power Factor
KT-MSLED25PS-2-8CSA-VDIM	120-277V	25W	3500K	3,200 lm	128 lm/W	50,000 hrs	>80	>0.9
			4000K	3,250 lm	130 lm/W			
			5000K	3,225 lm	129 lm/W			
		20W	3500K	2,560 lm	128 lm/W			
			4000K	2,600 lm	130 lm/W			
			5000K	2,580 lm	129 lm/W			
		15W	3500K	1,920 lm	128 lm/W			
			4000K	1,950 lm	130 lm/W			
			5000K	1,935 lm	129 lm/W			
KT-MSLED44PS-4-8CSA-VDIM	120-277V	44W	3500K	5,852 lm	133 lm/W	50,000 hrs	>80	>0.9
			4000K	5,940 lm	135 lm/W			
			5000K	5,896 lm	134 lm/W			
		28W	3500K	3,724 lm	133 lm/W			
			4000K	3,780 lm	135 lm/W			
			5000K	3,752 lm	134 lm/W			
		18W	3500K	2,394 lm	133 lm/W			
			4000K	2,430 lm	135 lm/W			
			5000K	2,412 lm	134 lm/W			
KT-MSLED90PS-8-8CSA-VDIM	120-277V	90W	3500K	11,970 lm	133 lm/W	50,000 hrs	>80	>0.9
			4000K	12,150 lm	135 lm/W			
			5000K	12,060 lm	134 lm/W			
		75W	3500K	9,975 lm	133 lm/W			
			4000K	10,175 lm	135 lm/W			
			5000K	10,050 lm	134 lm/W			
		54W	3500K	7,182 lm	133 lm/W			
			4000K	7,290 lm	135 lm/W			
			5000K	7,236 lm	134 lm/W			

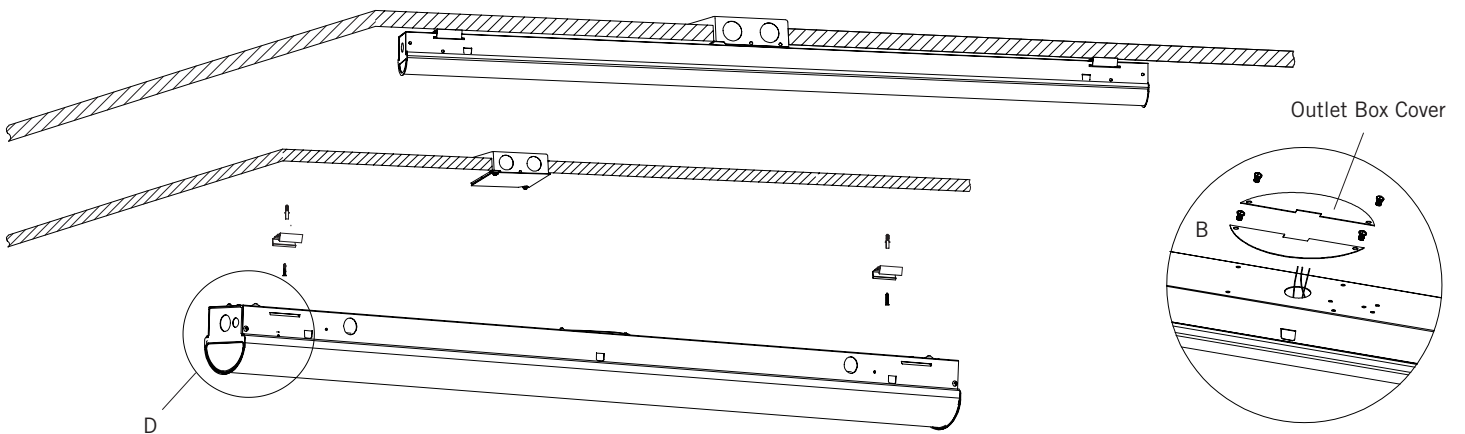
KT-MSLEDXXPS-X-8CSA-VDIM
 LED MICROSTRIP FIXTURE

INSTALLATION INSTRUCTIONS



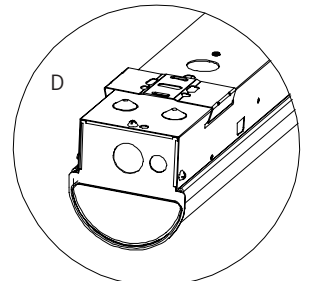
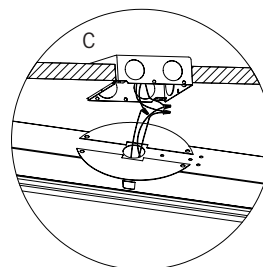
CHAIN SUSPENDED MOUNTING WITH V HOOK

- Step 1:** Clip the brackets to the slots of fixture.
- Step 2:** Attach customer supplied V-Hooks to brackets.
- Step 3:** Attach customer supplied chain to the V-hooks and mounting surface.



SURFACE MOUNTING

- Step 1:** Secure the provided brackets onto the ceiling by using the provided accessories and screws.
- Step 2:** Screw the covers at the outlet of the back of the housing (figure B).
- Step 3:** Wire to main power through the junction box (figure C).
- Step 4:** Then clip the brackets to the slots of fixture (figure D).

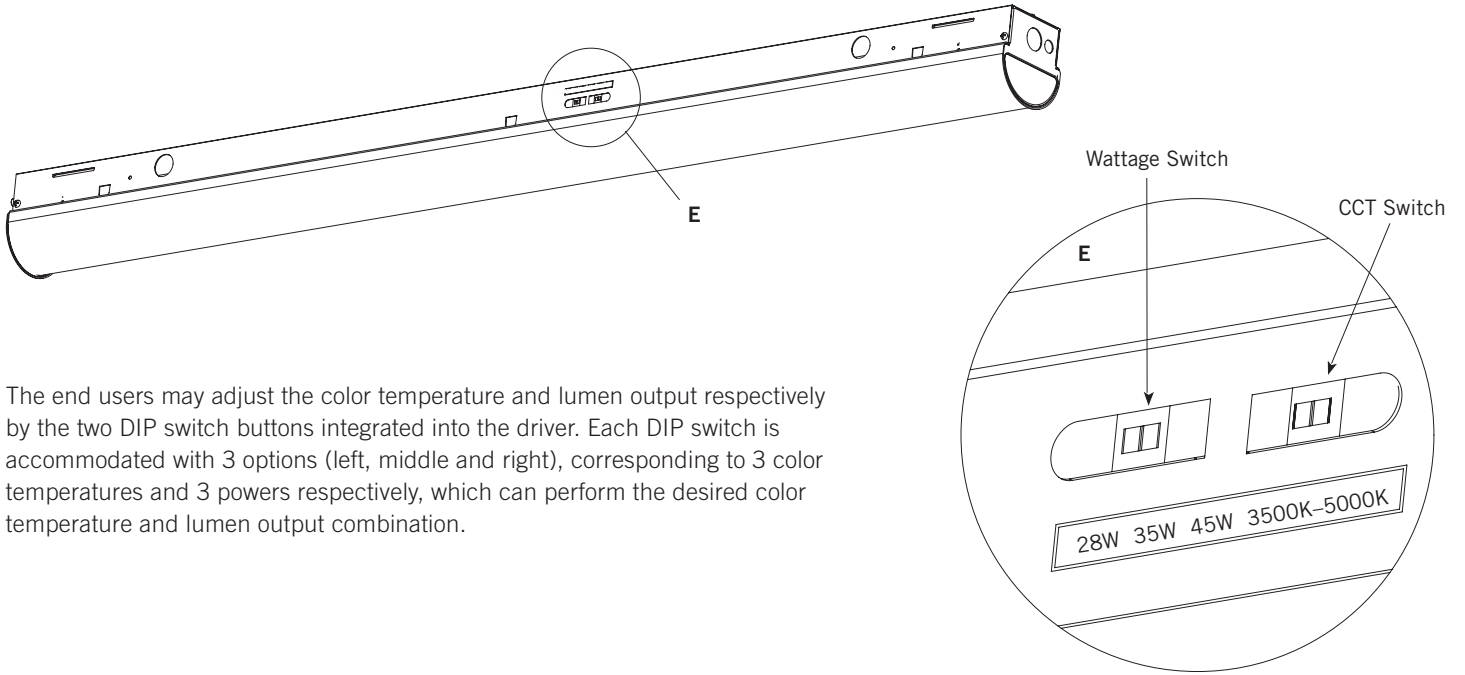




KT-MSLEDXXPS-X-8CSA-VDIM

LED MICROSTRIP FIXTURE

INSTALLATION INSTRUCTIONS (continued)



The end users may adjust the color temperature and lumen output respectively by the two DIP switch buttons integrated into the driver. Each DIP switch is accommodated with 3 options (left, middle and right), corresponding to 3 color temperatures and 3 powers respectively, which can perform the desired color temperature and lumen output combination.

SAVE THESE INSTRUCTIONS