

210 mm



DIRECT DRIVE D2
DOUBLE-ENDED LINE VOLTAGE LED TUBES

INSTALLATION AND OPERATING INSTRUCTIONS

CAT. NO. KT-LED40T8HO-96GC-8XX-D2

INSTALLATION

Product includes the following components:

PARTS	QUANTITY
LED Tube	1
Installation Instruction Sheet	1
Retrofit Label for Fixture	1
C-Clip	1
Screw	1

CAUTION: Before installing, make certain the AC power to the fixture is off.

CAUTION: The electrical rating of this product is 120-277V. Installer must confirm that there is 120-277V at the fixture before installation.

CAUTION: LEDs are extremely bright. Do not look directly at the LED light source for extended time as over-exposure may cause harm to the eyes.

CAUTION: Not rated for use in Vapor Tight style fixtures. Do not install in vapor tight style fixtures. Doing so will void the warranty.

Note: Attach included C-clips to the fixture using screws to prevent sagging. Clips should be installed approximately 32" in from the ends of the lamps.

WARNINGS

WARNING - Risk of fire or electric shock. LED Retrofit Kit installation requires knowledge of luminaires electrical systems. If not qualified, do not attempt installation. Contact a qualified electrician.

AVERTISSEMENT - Risque d'incendie ou de choc électrique. Installation du kit de Retrofit LED exige une connaissance des systèmes électriques luminaires. Si vous n'êtes pas qualifié, ne tentez pas de l'installation. Contactez un électricien qualifié.

WARNING - Risk of fire or electric shock. Install this kit only in luminaires that have the construction features and dimensions shown in the photographs and/or drawings and where the input rating of the retrofit kit does not exceed the input rating of the luminaire.

AVERTISSEMENT - Risque d'incendie ou de choc électrique. Installez ce kit dans les luminaires qui ont les caractéristiques de construction et les dimensions indiquées dans les photographies et / ou dessins et où la cote d'entrée du kit de modification ne dépasse pas la capacité d'entrée du luminaire.

WARNING - To prevent wiring damage or abrasion, do not expose wiring to edges of sheet metal or other sharp objects.

AVERTISSEMENT - Pour éviter d'endommager le câblage ou à l'abrasion, ne pas exposer le câblage aux bords de tôle ou d'autres objets pointus.

Installers should not disconnect existing wires from lampholder terminals to make new connections at lampholder terminals. Instead installers should cut existing lampholder leads away from the lampholder and make new electrical connections to lampholder lead wires by employing applicable connectors.

Do not make or alter any open holes in an enclosure of wiring or electrical components during kit installation.

THE RETROFIT ASSEMBLY IS ACCEPTED AS A COMPONENT OF LUMINAIRE WHERE THE SUITABILITY OF THE COMBINATION SHALL BE DETERMINED BY UL OR AUTHORITIES HAVING JURISDICTION.

THERE IS A LED TUBE, OPERATION INSTRUCTIONS AND A FIELD APPLIED LABEL IN THIS RETROFIT KIT.

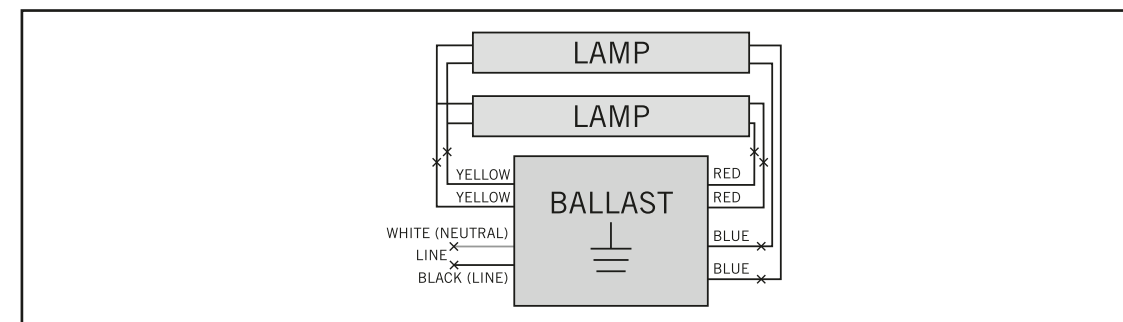
Installers should examine all parts that are not intended to be replaced by the retrofit kit for damage and replace any damaged parts prior to installation of the retrofit kit.

Installation Steps

Removing Existing Fluorescent System

1. Disconnect power from fixture.
2. Remove fluorescent lamp(s).
3. Remove lens and wiring compartment, if applicable.
4. Identify ballast configuration as shown below and cut all wires connected to the ballast accordingly.

Typical Ballast Configurations



5. Confirm that the lampholders in the fixture are bi-pin R17d lampholders. These DirectDrive LED tubes require bi-pin R17d lampholders.



DIRECT DRIVE D2
DOUBLE-ENDED LINE VOLTAGE LED TUBES

KT-LED40T8HO-96GC-8XX-D2 INSTALLATION AND OPERATING INSTRUCTIONS

Tube Installation and Wiring

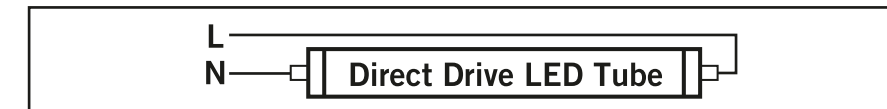
NOTE: Both ends of this LED tube receive power.

C-Clip included to be installed in the fixture to prevent lamp rotation and provide extra security for high vibration areas.

1. Confirm that power is still disconnected from fixture.
2. Make sure fixture is properly grounded.
3. Follow step A for single lamp application or steps B and C for multiple lamps application, based on the number of lamps in the fixture:

Single Lamp

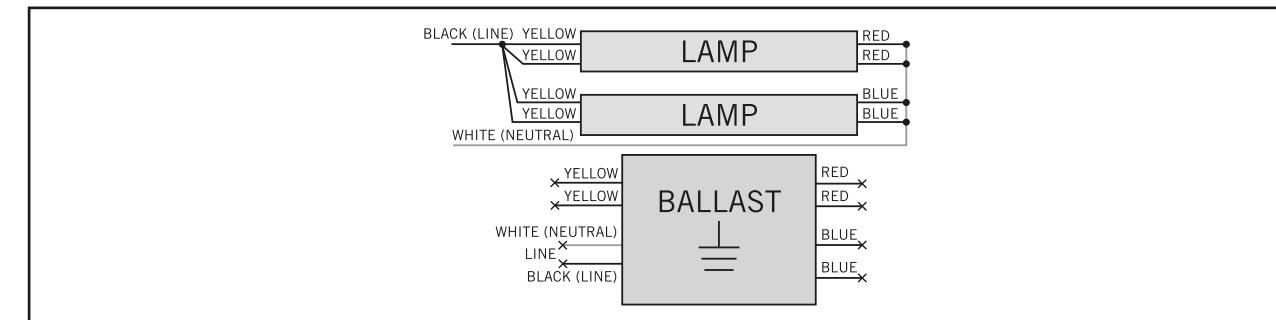
A. Connect the line (L) AC wire to one lampholder and the neutral (N) AC wire to lampholder on the opposite end. If only one lamp is being installed, proceed to step 4.



Multiple Lamps

B. Rewire the fixture using existing lampholders as shown below according to the original ballast wiring configuration.

Typical Ballast Configurations



4. Complete all electrical connections with appropriate connectors/wire nuts as needed, per all local and national electrical codes.
5. Replace wiring compartment cover.
6. Install all of the Direct Drive LED tubes with the LEDs pointed in the proper direction for illumination. Install any lens or diffuser as applicable.
7. Apply power to fixture and check for illumination.

This device complies with Part 15 of the FCC Rules. Operation is subject to the following two conditions: (1) this device may not cause harmful interference, and (2) this device must accept any interference received, including interference that may cause undesired operation.

WARNING: The product covered shall be constructed in accordance with the following description. The units covered by this report were intended to retrofit surface mount, Type IC or non-IC recessed mount Listed fluorescent luminaires that use maximum 2 tubular lamps. The minimum lamp compartment dimensions are tabulated below:

LED TUBE MODEL NO.	Minimum Lamp Compartment Dimensions (L x W x H)	Number of Lamps	Lamp-to-lamp Spacing [cm]
KT-LED40T8HO-96GC-8XX-D2	244cm x 27cm x 7cm	2	11

1. These LED tubes are intended for lighting systems only.
2. Maximum ambient temperature must not exceed 55°C (131°F).
3. Avoid use in sunlight, abnormal heat, or moist/condensing environments.
Working temperature: -20°C~45°C (-4°F~113°F)
Working humidity: 30%~85%
Storage temperature: -40°C~70°C (-40°F~158°F)
Storage humidity: 10%~90%
4. These LED tubes are not intended to be repaired by the user, manufacturer, or service personnel in any case of failure.
5. These LED tubes are constructed such that they do not rely upon the luminaire enclosure for protection against accidental contact with live parts.
6. These LED tubes are intended to be used in dry or damp locations only.
7. These LED tubes are not for use with dimmers.
8. Suitable for emergency lighting with KT-EMRG-LED-12-1200-AC-IP or KT-EMRG-LED-12-1200-AC /DF.
9. These tubes are intended to be installed in the same orientation as the fluorescent tubes they are replacing.

290 mm