

DESCRIPTION

400W High Pressure Sodium Ballast Kit I Quad Tap

LAMP TYPE: 400W High Pressure Sodium (S51)
INPUT VOLTAGE: Quad Tap (120/208/240/277)
CIRCUIT TYPE: CWA (without Ignitor)
WARRANTY: 2 Years



PRODUCT FEATURES

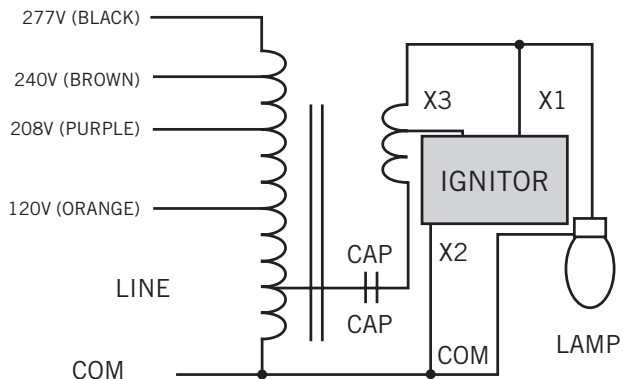
- ANSI Designation: S51
- Line Voltage: 120/208/240/277
- Regulation: 10%
- Frequency: 60 Hz
- Recommended Fuse (A): 15/8/8/5
- Circuit Type: CWA
- Insulation Class: 180°C
- Capacitor: 55 μ F
- Capacitor Voltage Rating: 300 V
- Capacitor Temperature Rating: 90°C
- Winding Materials: Copper/Aluminum
- Lamp Starter: XG-02
- Agency Certification: RU, cRU
- Maximum Distance to Lamp: 10 ft.

ELECTRICAL SPECIFICATIONS

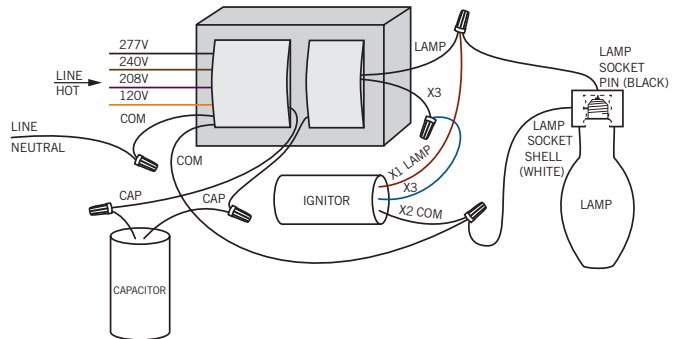
LINE VOLTAGE	POWER FACTOR	LINE CURRENT			INPUT POWER	OPEN CIRCUIT VOLTAGE	MINIMUM START TEMP	CLASS N 200°C UL TEMP CODE
		OPERATING	OPEN CIRCUIT	STARTING				
120V	High	3.99A	1.73A	4.04A	460W	190V	-40°F/-40°C	E
208V	High	2.35A	1.05A	2.37A	476W	192V	-40°F/-40°C	D
240V	High	2.01A	0.88A	2.04A	470W	191V	-40°F/-40°C	E
277V	High	1.75A	0.76A	1.76A	476W	191V	-40°F/-40°C	E

WIRING DIAGRAM

DIAGRAM H3

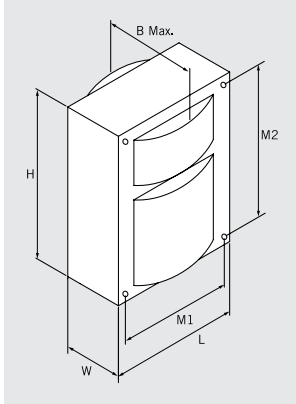


H3



PHYSICAL SPECIFICATIONS

CASE STYLE

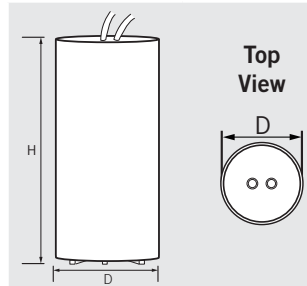


OVERALL DIMENSIONS			
Length	Width	Height	B Max.
4.25"	2.31"	4.80"	4.14"

MOUNTING HOLES		
Diameter	M1	M2
0.25"	3.87"	4.38"

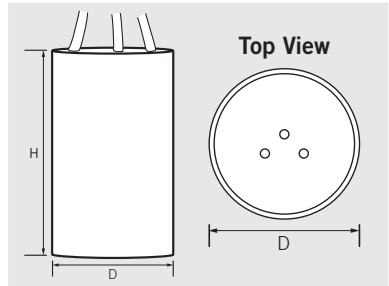
BRACKET DIMENSIONS		Ballast Net Weight	Lead Length
Length	Width		
7.25"	1.11"	13.66 lbs	12-14"

CAPACITOR SPECIFICATIONS



Diameter	1.74"
Height	5.23"
Type	Dry Film

IGNITOR SPECIFICATIONS



Diameter	1.31"
Height	2.35"
Type	CWA

ORDERING INFORMATION

ORDER CODE	PACKAGING STYLE	PACK QTY.	ITEM STATUS
HPS-400A-Q-KIT	Individually Packaged	1	Quick Ship

Each kit includes the ballast pre-wired to a properly rated capacitor and ignitor (if required), mounting hardware, and pictorial installation guide.

CATALOG NUMBER BREAKDOWN

HPS-400A-Q-KIT

