



KT-LED60HID-V-E26-850-D

HID REPLACEMENT LED LAMP

DESCRIPTION

60W HID Replacement LED Lamp | 5000K | >80 CRI | Vertical Light Direction



LAMP TYPE: HID Replacement LED
BASE TYPE: E26 (Medium)
WATTAGE: 60W
COLOR TEMPERATURE: 5000K
METAL HALIDE EQUIVALENT: 200W
COLOR RENDERING INDEX (CRI): >80
WARRANTY: 5 Years



PRODUCT FEATURES

- Replacement for conventional metal halide lamp
- Non-dimmable; Do not dim
- 50,000+ hour lifetime
- Environmentally friendly: No mercury used
- Instant startup
- Suitable for use in fully enclosed fixture. Minimum lamp compartment dimensions: 8in x 8in x 8.2in
- UL listed
- Delivers approximately 5% uplight
- Integral driver, eliminates the need for external driver or ballast; Includes 4kV surge protection
- Operating temperature range: -29°C/-20°F to 60°C/140°F
- Lamp top has a low-voltage AUX port for lamp level sensor controls

OPERATING SPECIFICATIONS

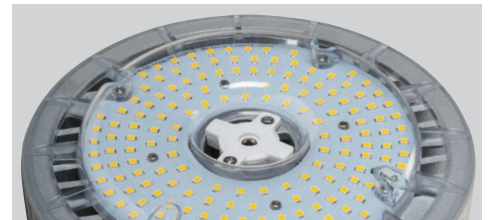
ELECTRICAL CHARACTERISTICS

Input Voltage	Power Consumption	Power Factor	Input Current
120-277Vac	60W	>0.9	0.50A @ 120V 0.22A @ 277V

PHOTOMETRIC CHARACTERISTICS

Color Temperature (CCT)	5000K
Luminous Flux	8900 lm
Color Rendering Index (CRI)	>80
Efficacy	148 lm/W
Visible Light Area	180°

SMART PORT LED COMPATIBLE

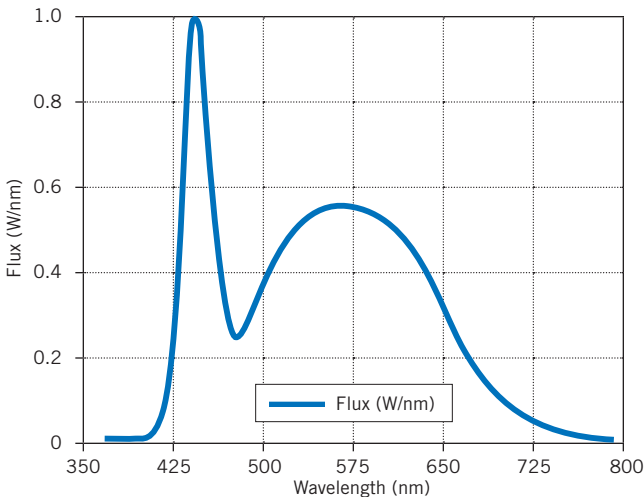


On the top of the lamp is a low-voltage AUX port for Smart Port LED sensors. See *Accessories* for available sensor options.

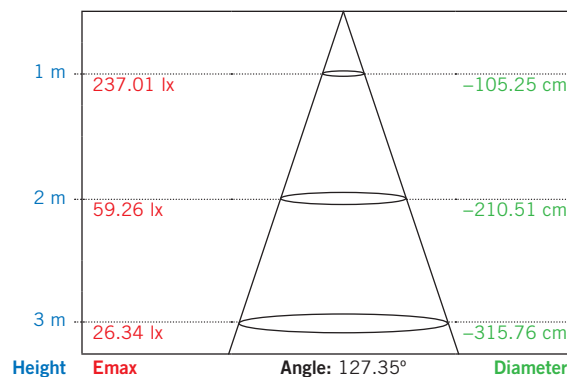
RATED LIFE

L70 (Hours)	50,000
-------------	--------

SPECTRAL DISTRIBUTION



LUX DISTANCE CURVE



Note: The curves indicate the illuminated area and the average illumination when the luminaire is at a different distance.



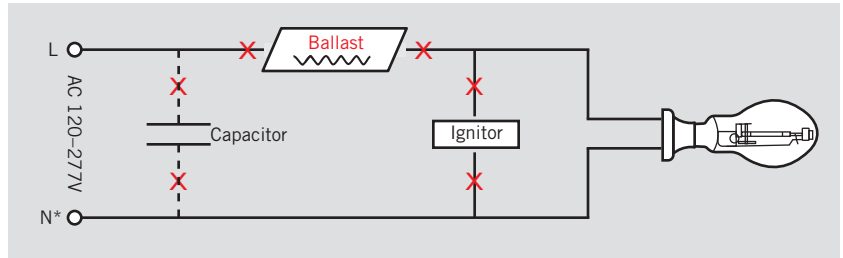
KT-LED60HID-V-E26-850-D

HID REPLACEMENT LED LAMP

WIRING INSTRUCTIONS

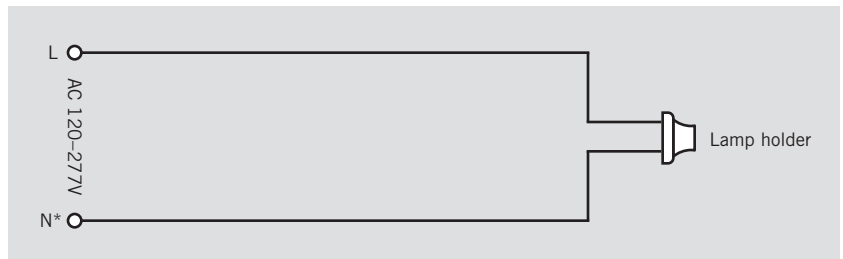
STEP 1

Disconnect power. Disconnect and remove existing ballast, capacitor, and/or ignitor (where applicable) from fixture.



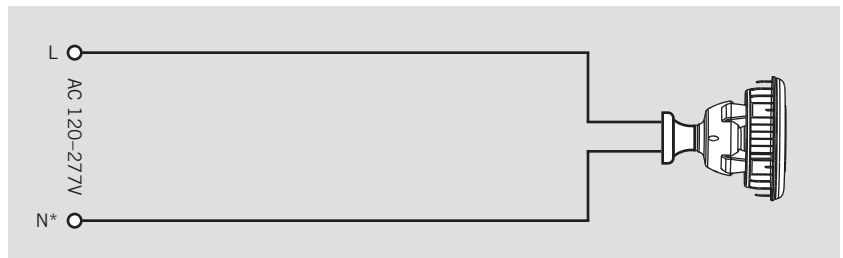
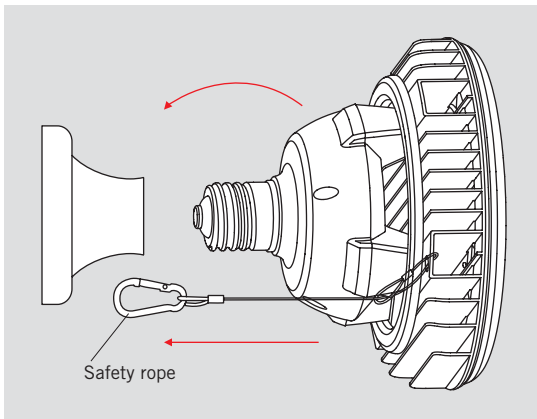
STEP 2

Rewire for line voltage to the lamp socket. Lamp is compatible with 120-277V from single phase, three phase wye, and three phase delta systems.



STEP 3

Install new LED replacement lamp. Ensure lamp is operating properly when power is turned on.



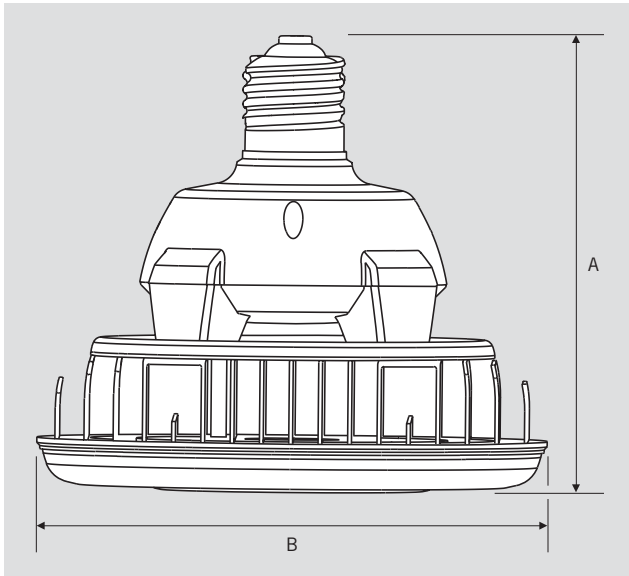
*or other line for certain three phase systems such as 120/208 three phase wye systems



KT-LED60HID-V-E26-850-D

HID REPLACEMENT LED LAMP

PHYSICAL CHARACTERISTICS



LAMP DIMENSIONS

A (Body Length)	6.14"
B (Diameter)	6.88"

BASE TYPE: E26 (Medium)

ACCESSORIES (SOLD SEPARATELY)

Catalog Number	Description
KTS-MW1-12V-AUX	SmartPort LED Microwave Occupancy sensor: On/Off with adjustable standby dimming level; 12V input
KTS-PIR1-12V-AUX	SmartPort LED PIR Occupancy sensor: On/Off with adjustable standby dimming level; 12V input
KTS-PS1-12V-AUX	SmartPort LED Photocell: On/Off with adjustable daylight threshold and timing; 12V input

ORDERING INFORMATION

ORDER CODE	PACKAGING STYLE	PACK QTY.	ITEM STATUS
KT-LED60HID-V-E26-850-D-DP	Distributor Pack (Individual Cartons)	4	Quick Ship

CATALOG NUMBER BREAKDOWN

KT-LED60HID-V-E26-850-D

1 2 3 4 5 6 7 8 9

- 1 Keystone Technologies
- 2 LED Lamp
- 3 Wattage
- 4 Lamp Type
- 5 Vertical Orientation
- 6 Base Type
- 7 800 Series
- 8 Color Temperature
- 9 Direct-Drive Series