



XFIT



KT-ALED40-D2D-WM-850-VDIM

DUSK-TO-DAWN LED AREA LIGHT FIXTURES

DESCRIPTION

40W Compact Dusk-to-Dawn LED Area Light |
120-277V Input | Gray Housing

APPLICATION

Arm-mount or structure-mount outdoor illumination needs (including barns, garages, parking areas, and other general purpose or security lighting requirements)



10 YEAR
LIMITED WARRANTY

PRODUCT FEATURES

- Compact design matches appearance and light distribution of legacy HID, optimized for one for one replacements
- Heavy-duty, die-cast aluminum housing with ample heat sinking for enhanced thermal performance
- 3-pin twist-lock photocell included along with integrated NEMA/ANSI C136.10 3-pin twist-lock receptacle
- Impact resistant and highly diffused poly carb lens with anti-yellowing agent, offers reduced glare for low mounting height applications
- Mounts directly to a structure OR a pole arm of 1 5/8"–2 3/8" diameter with universal clamp
- UL Certified for wet locations, IP65
- Powered by Keystone 0–10V dimming LED driver
- Ambient operating temperature: –40°C/–40°F to 50°C/122°F
- 0–10V dimming, 10% min
- Power factor: >0.95
- THD: <20%
- LED chip lifetime: L70 >100,000 hrs @ 25°C/77°F ambient fixture temp
- Meets FCC Part 15, Part B, Class A standards for conducted and radiated emissions

ELECTRICAL SPECIFICATIONS

Catalog Number	Selectable Wattage	Selectable CCT	Lumens	Efficacy	Input Voltage	Housing Color	Distribution	DLC	CRI	Metal Halide Equivalent
KT-ALED40-D2D-WM-850-VDIM	40W	5000K	6150	155 lm/W	120–277	Gray	V	Yes	>80	175W HM

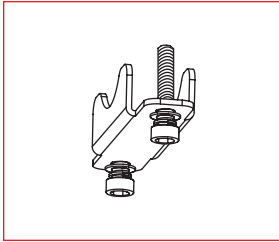
KT-ALED40-D2D-WM-850-VDIM

DUSK-TO-DAWN LED AREA LIGHT FIXTURES

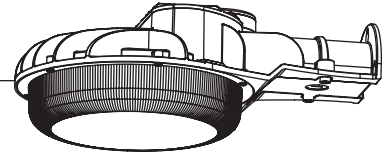
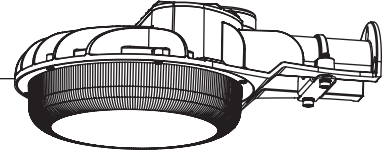
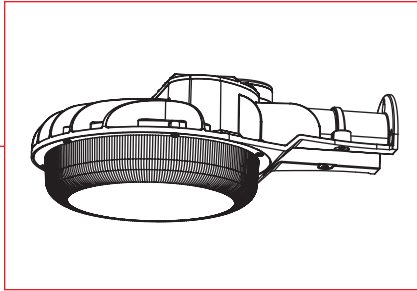
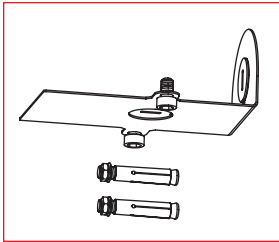
MOUNTING OPTIONS

Two different mounting accessories are included with this fixture. Use the proper accessory for the application you choose.

Pole Arm Mount



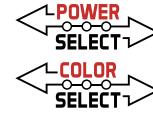
Structure Mount



24" CURVED POLE ARM KIT (SOLD SEPARATELY)

Catalog Number	Description	UPC	Easy Code
KT-ALED-CA-D2D-KIT	24" Curved Arm Mounting Pole, for Dusk-to-Dawn Area Light; Gray	843654131665	BFC-98



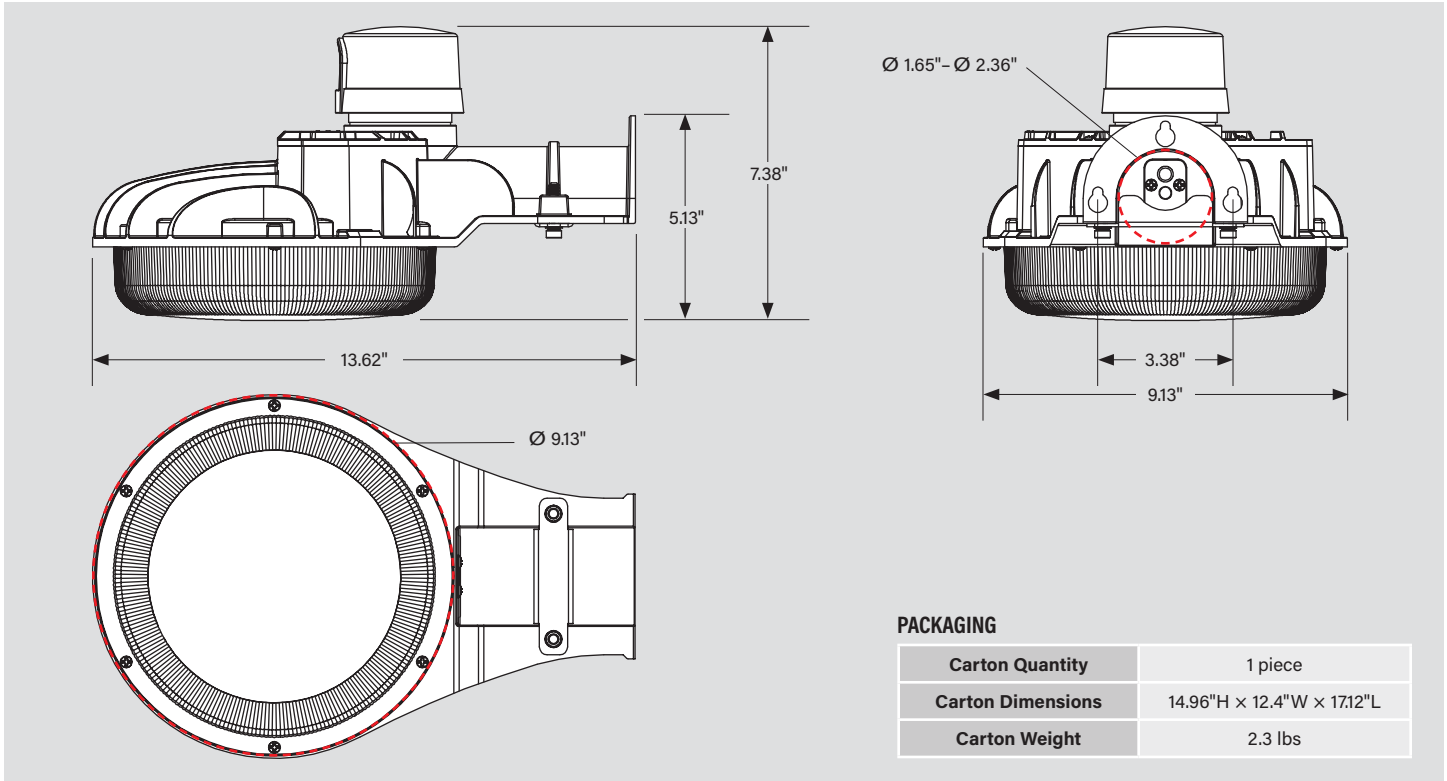


KT-ALED40-D2D-WM-850-VDIM

DUSK-TO-DAWN LED AREA LIGHT FIXTURES

PHYSICAL SPECIFICATIONS

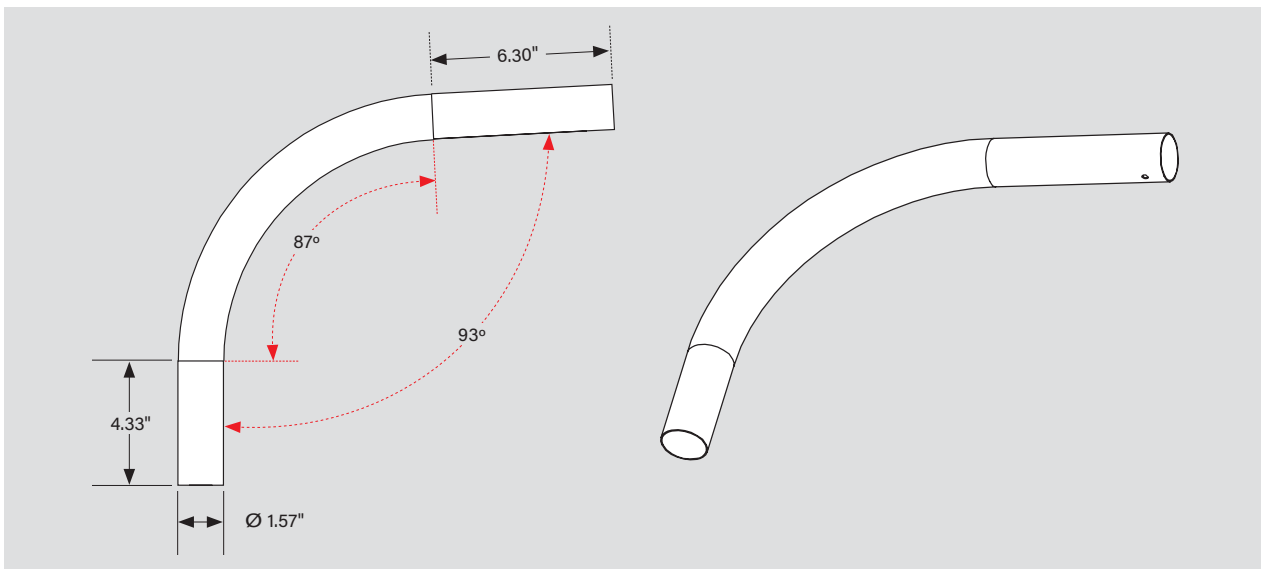
ARM-MOUNT FIXTURE



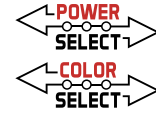
PACKAGING

Carton Quantity	1 piece
Carton Dimensions	14.96"H x 12.4"W x 17.12"L
Carton Weight	2.3 lbs

24" CURVED POLE ARM (SOLD SEPARATELY)



(Physical Specifications continued on next page)

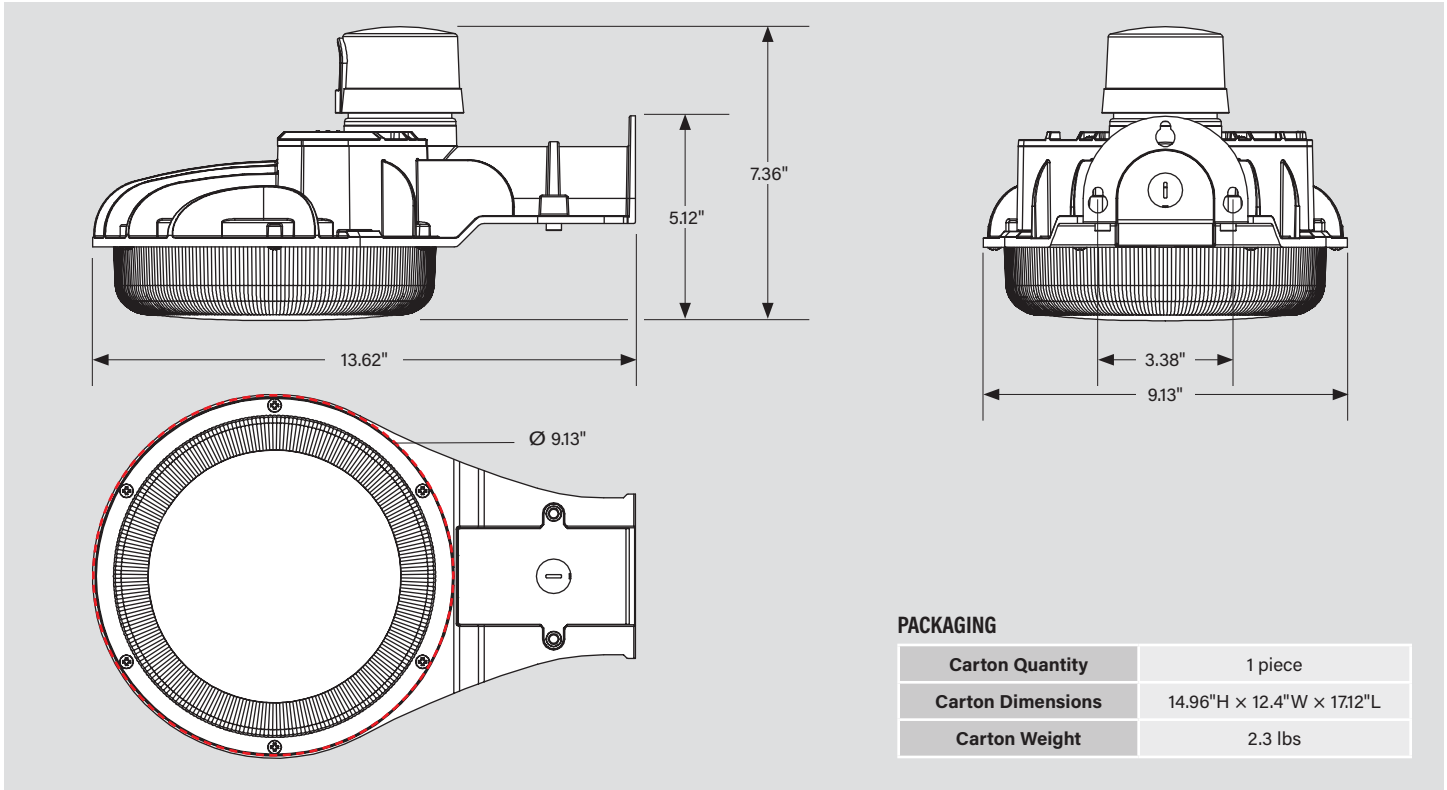


KT-ALED40-D2D-WM-850-VDIM

DUSK-TO-DAWN LED AREA LIGHT FIXTURES

PHYSICAL SPECIFICATIONS (continued)

STRUCTURE-MOUNT FIXTURE



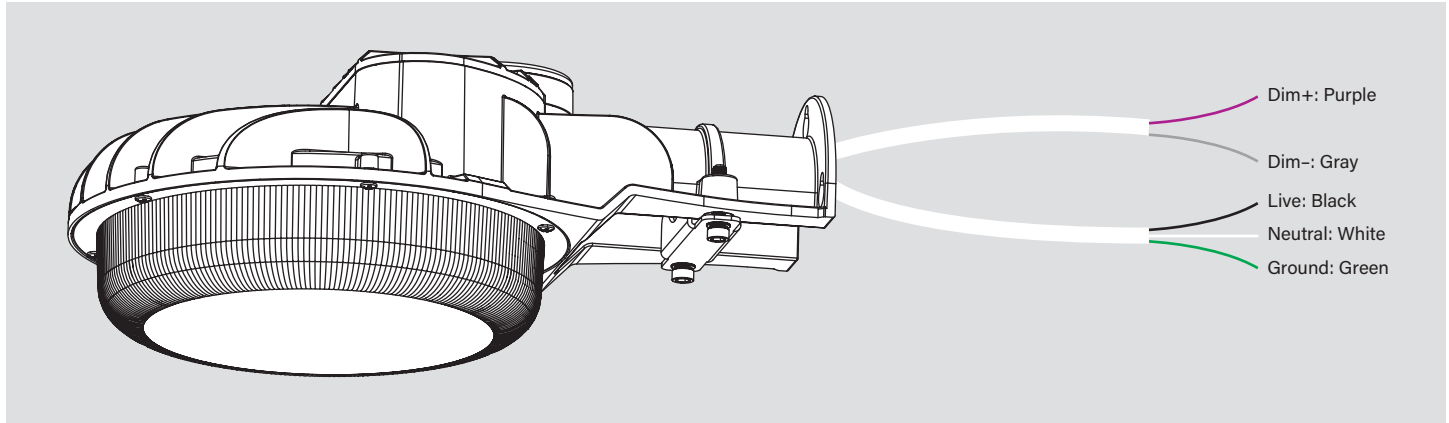
PACKAGING

Carton Quantity	1 piece
Carton Dimensions	14.96"H x 12.4"W x 17.12"L
Carton Weight	2.3 lbs

KT-ALED40-D2D-WM-850-VDIM

DUSK-TO-DAWN LED AREA LIGHT FIXTURES

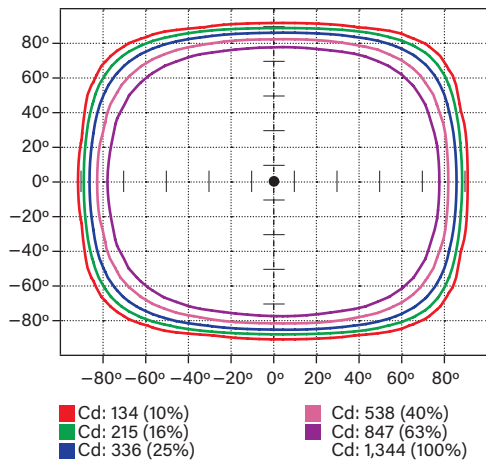
WIRING DIAGRAM



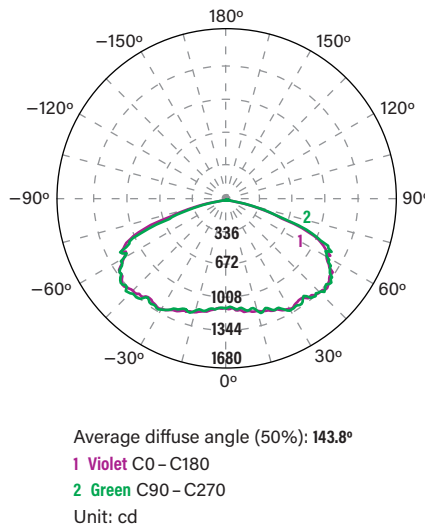
- This fixture comes pre-wired with a 3-pin Twist-Lock Receptacle. Make input connections as needed and ensure connections are protected from exposure to the elements.
- Input voltage rating: 120-277V
- Ensure that input voltage on site matches the fixture you intend to install.

PHOTOMETRIC SPECIFICATIONS

ISOCANDELA PLOT



LUMINOUS INTENSITY DISTRIBUTION



FLUX DISTRIBUTION

Zone	Lumens	% Luminaire
Forward Light	2,768 lm	49.1%
0°-30°	489 lm	8.7%
30°-60°	1,453 lm	25.8%
60°-80°	786 lm	13.9%
80°-90°	40 lm	0.7%
Back Light	2,783 lm	49.4%
0°-30°	491 lm	8.7%
30°-60°	1,465 lm	26.0%
60°-80°	786 lm	13.9%
80°-90°	42 lm	0.7%
Up Light	84 lm	1.5%
90°-100°	28 lm	0.5%
100°-180°	56 lm	1.0%

BUG* Rating

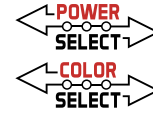
Asymmetrical Luminaire Types

Type I, II, III, IV	B2 U3 G2
---------------------	----------

Quadrilateral Symmetrical Luminaire Types

Type V, Area Light	B3 U3 G1
--------------------	----------

* Backlight, Uplight, Glare



KT-ALED40-D2D-WM-850-VDIM

DUSK-TO-DAWN LED AREA LIGHT FIXTURES

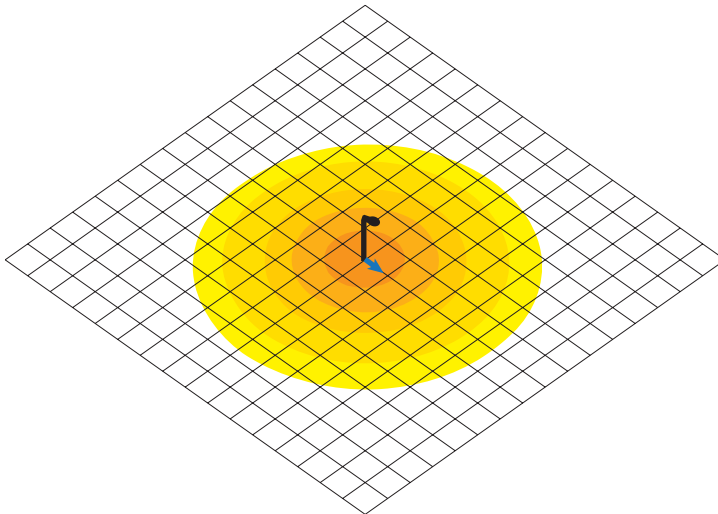
LIGHT DISTRIBUTION PATTERN (TYPE 5 [V])

DUSK-TO-DAWN

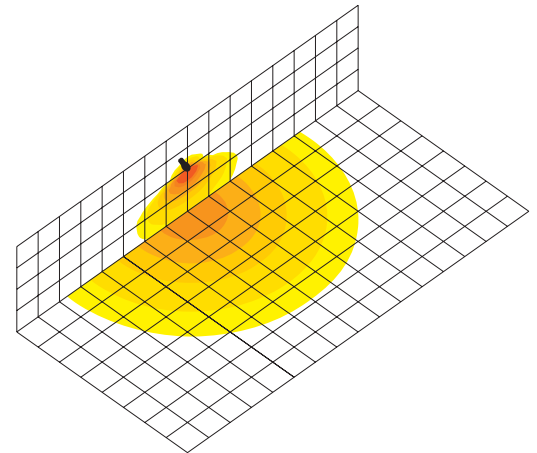
- Photometric layout for general reference only
- Grid dimension: 10 × 10 sq ft

- 0.1 fc
- 0.2 fc
- 0.5 fc
- 1.0 fc
- 2.0 fc
- 5.0 fc
- 10.0 fc

Arm-mount view from above; Area light mounted at 20'



Structure-mount view from above; Area light mounted at 20'



ORDERING INFORMATION

ORDER CODE	PACK QTY.	UPC	Easy Code	DLC PRODUCT ID
KT-ALED40-D2D-WM-850-VDIM	1	843654131610	PUB-99	PETRU1PJ

CATALOG NUMBER BREAKDOWN

KT-ALED40-D2D-WM-850-VDIM

1	2	3	4	5	6	7	8	9
1 Keystone Technologies	2 Fixture Type	3 LED Technology	4 Max Wattage	5 Size / Shape	6 Mounting	7 CRI	8 Color Temp	9 Dimming
	A Area Light			D2D Dusk-to-Dawn Housing	WM Wall Mount	8 >80	50 5000K	VDIM 0-10V