



# PHOTOCELL FOR FULL CUT-OFF LED WALL PACK

## INSTALLATION INSTRUCTIONS

**PLEASE FIND A QUALIFIED ELECTRICIAN FOR INSTALLATION. Please read the instructions before you install and use the luminaire.**

### APPLICATION

Senses ambient light levels; automatically turns on the lights at dusk and turns off the lights at dawn.

### SAFETY AND ELECTRICAL PARAMETERS

#### Warning

- To reduce the risk of death, personal injury, or property damage from fire, electric shock, falling parts, cuts/abrasions, and other hazards, read all warnings and instructions included with and/or the fixture box and fixture labels.
- Before installing, servicing, or performing routine maintenance upon this equipment, follow these general precautions.
- Commercial installation, service, and maintenance of luminaires should be performed by a qualified licensed electrician.
- If you are unsure about the installation or maintenance of the luminaires, consult a qualified licensed electrician. Please abide by all relevant country, regional, and local code requirements and regulations when installing this luminaire. Wiring must be in accordance with NEC and all applicable local codes.
- Do not make or alter any holes unnecessarily in an enclosure of wiring or electrical components during the installation. Additional holes in the housing are permitted only for mounting hardware and must be properly sealed with silicone (not provided) in order to maintain watertight operation of the fixture.

#### Warning

- Turn off electrical power at the fuse or circuit breaker box before wiring fixture to the building power.
- Turn off the electrical power when you perform any maintenance.

#### Caution

- Avoid direct eye exposure to the light source while it is on.
- Account for small parts and destroy/recycle packaging material, as these may be hazardous to children.
- Risk of Burn. Disconnect power and allow fixture to cool before handling/servicing.

#### Notice

- Specifications and dimensions subject to change without notice. Consult Keystone with any questions or concerns.
- Ensure ambient operating temperature between  $-40^{\circ}\text{C}/-40^{\circ}\text{F}$  to  $50^{\circ}\text{C}/122^{\circ}\text{F}$  is maintained. Exceeding these temperature ranges will void warranty and may reduce lifetime or cause performance issues.
- Inspect fixture for any damages before installing. If there is any damage, please do not install and contact Keystone or authorized distributor for resolution.

### COMPONENTS INCLUDED IN KIT

Part	Quantity
Photocell	1
Instruction sheet	1

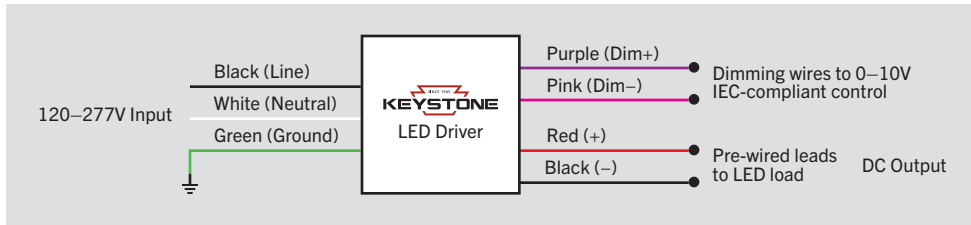
**Caution:** Before installing, make certain that AC power to the fixture is off.

## PRODUCT SPECIFICATIONS

Catalog Number	Description	Sensor Type	Input Voltage	Mounting Type
KT-WPLED-PS-UV-KO	Full Cut-Off Wall Pack Button Sensor	Photocell	120–277V	Knock-Out

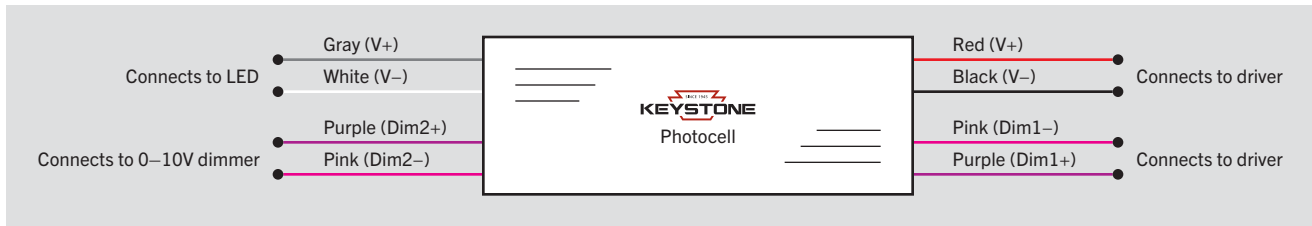
## GENERAL SETUP INSTRUCTIONS

### GENERAL WIRING DIAGRAM



Note: \*In accordance with NEC-20 410.69 2022, all 0-10V negative wires have been updated from gray to pink. Please contact Keystone for details

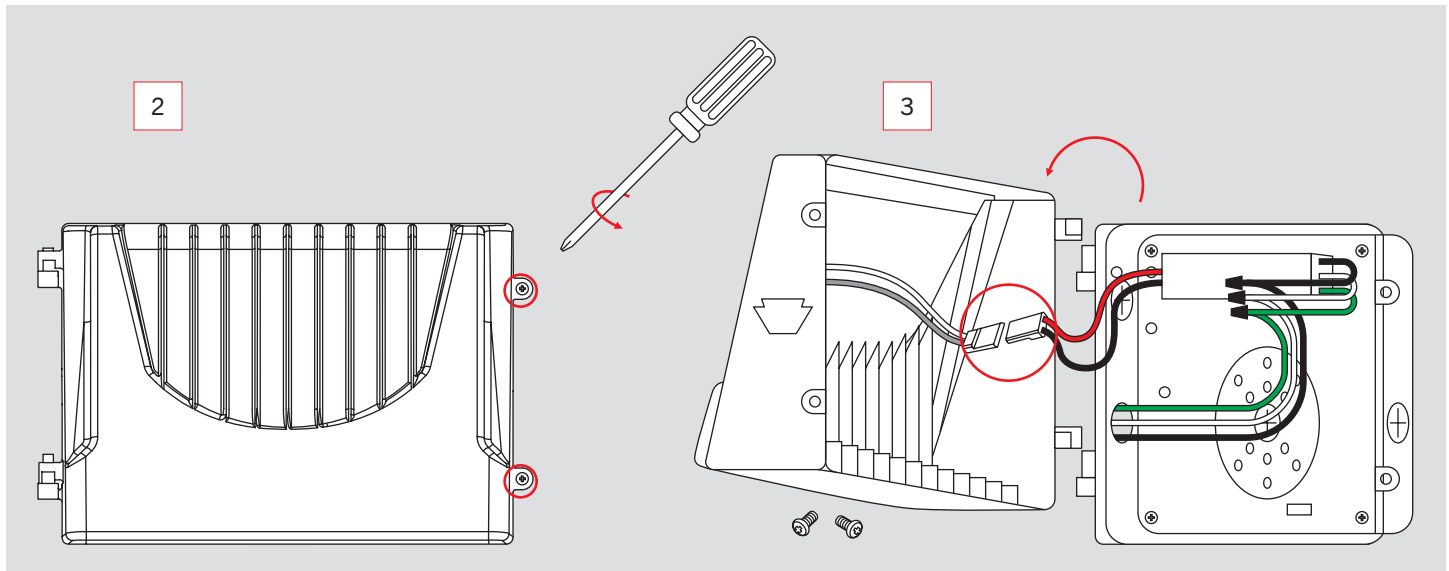
### PHOTOCELL WIRING DIAGRAM



## INSTALLATION INSTRUCTIONS

1. Ensure that power is off before beginning installation.
2. Open fixture by loosening 2 screws.
3. Disconnect wiring to LED's quick-connector and remove entire door assembly.

(see illustrations below)

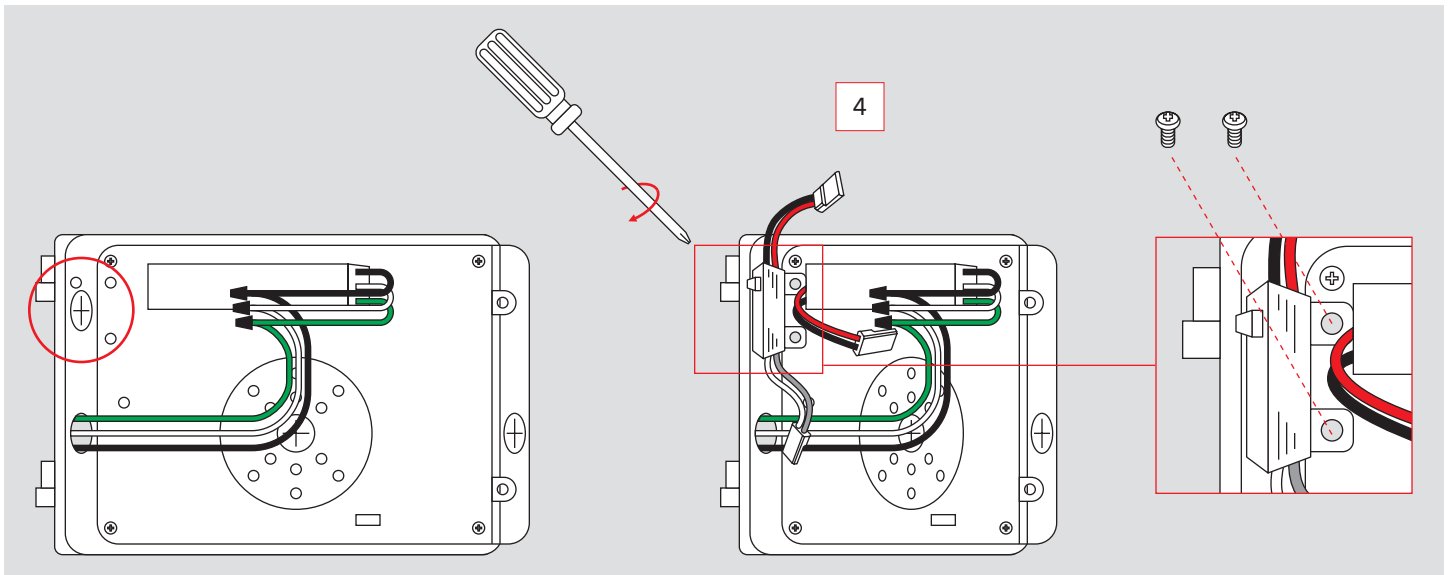


(Installation Instructions continued on next page)

**INSTALLATION INSTRUCTIONS (continued)**

4. Screw the photocell into the housing behind the translucent threaded KO plug.

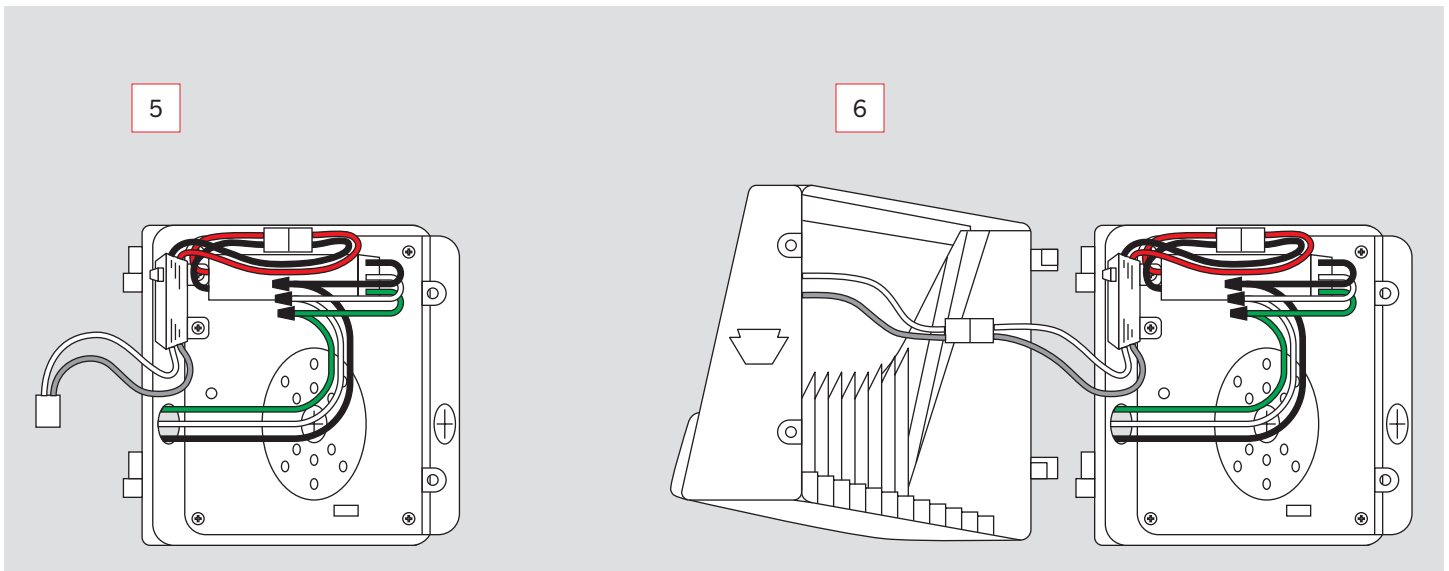
(see illustrations below)



5. Connect photocell input wires to driver output wires (red line to red line, black line to black line).

6. Connect photocell output wire to LED wires on front of housing (gray line to gray line, white line to white line).

(see illustrations below)

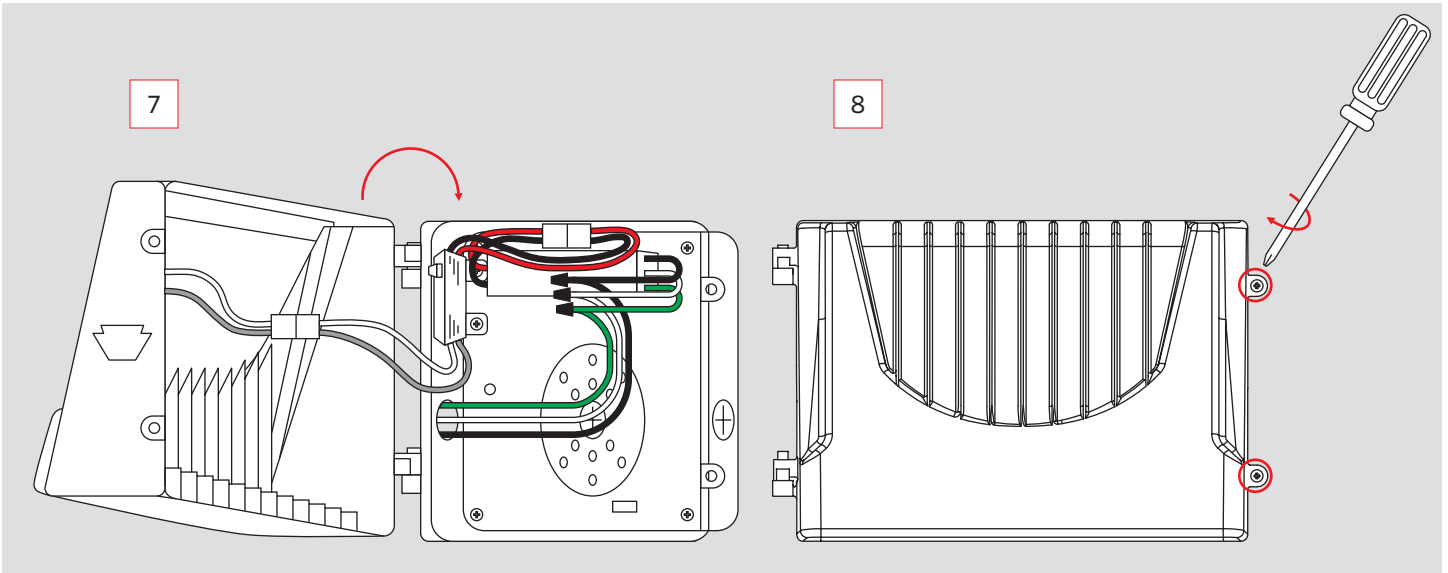


(Installation Instructions continued on next page)

**INSTALLATION INSTRUCTIONS (continued)**

7. Re-install the fixture door and close the housing assembly.
8. Tighten the 2 screws. Be sure fixture gasket is seated properly and fully compressed.

(see illustrations below)



9. Restore power to the fixture.

**SAVE THESE INSTRUCTIONS**