



# SMART PORT LED

## KTSL-FC3-12V-PKO-PIR

### SCREW IN CONTROLLER WITH INTEGRATED SENSOR

#### DESCRIPTION

Bluetooth mesh wireless Smart Port LED controller for SmartLoop system with integrated daylight and PIR motion sensor.

#### APPLICATION

Ideal for warehouses, gymnasiums, corridors, and parking garages. Installs directly into Smart Port Gen 2 compatible Keystone products.



#### PRODUCT FEATURES

- For use with Smart Port Gen 2 compatible Keystone products
- Integrated motion and dynamic daylight sensor
- Commissioned via SmartLoop mobile app for iPhone and Android
- Controlled via SmartLoop mobile app, keypad, and sensors
- Utilizes Bluetooth mesh technology for reliable and secure wireless communication
- Power outage recovery defaults to automatic on state
- Indicator LED communicates device status

Note: PIR sensors may not always perform reliably in typical outdoor environments. Ensure sensors are used and commissioned with this in mind. For more information, contact Keystone Technologies.

#### ELECTRICAL SPECIFICATIONS

Input Voltage	10-15VDC
Power Consumption	<0.5W
RF Transmit Power	8dBm
Max 0-10V Sinking Current	10mA
Wireless Frequency	2.4GHz
Wireless Range (Open Air)	100ft
Wireless Protocol	Bluetooth 4.2
Sensor Detection Height	40' max
Sensor Detection Angle	90°
Daylight Harvesting Range	0-2000 lux

#### FACTORY SETTINGS

Photo Sensor	Enabled
Motion Sensitivity	100%
Motion Sensor	Enabled
Motion Mode	Occupancy
Hold Time	20m
Standby Time	1m
Standby Percentage	50%

#### ENVIRONMENTAL SPECIFICATIONS

Operating Temperature	-25°C/-13°F to 60°C/140°F
Storage Temperature	-40°C/-40°F to 80°C/176°F
Humidity	10-85%
Lifetime Rating	>100,000 hrs
Moisture and Dust Rating	IP65

#### SAFETY AND EMC COMPLIANCE

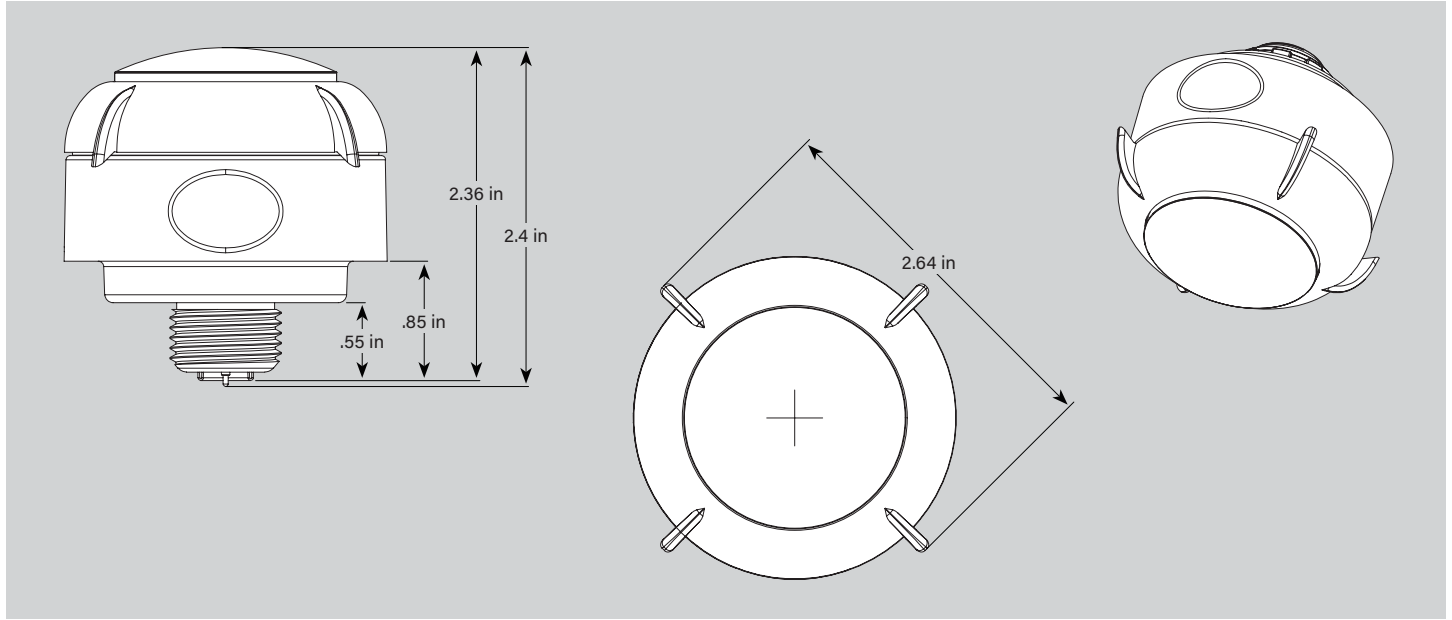
UL/cUL	UL8750
FCC	Part 15.247



# SMART PORT LED

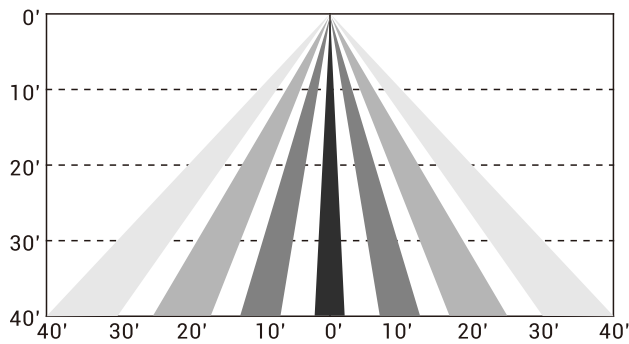
## KTSL-FC3-12V-PKO-PIR SCREW IN CONTROLLER WITH INTEGRATED SENSOR

### PHYSICAL SPECIFICATIONS

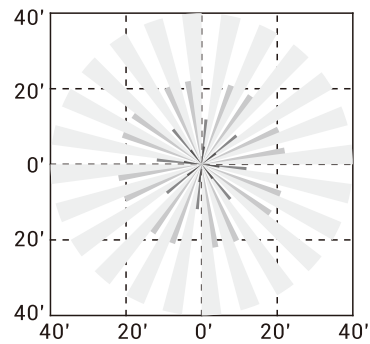


### LENS COVERAGE

HBL1 Coverage Side View



HBL1 Coverage Top View





# SMART PORT LED

## KTSL-FC3-12V-PKO-PIR SCREW IN CONTROLLER WITH INTEGRATED SENSOR

### INSTALLING

1. Remove screw cover on Smart Port Gen 2 compatible Keystone product.
2. Screw in sensor until snug, using appropriate gasket to ensure watertight seal (if applicable). If using gasket, to ensure electrical connection is made with sensor receptacle with gasket in place, install with fixture turned on. When sensor is connected, the fixture will dim down quickly and back up as sensor is tightened, and blue light will illuminate behind lens of sensor to confirm secure connection.\*

\*Please refer to Gasket section below for more information on which gasket to use for your application. For more questions or your product is not listed, please contact Keystone Technologies.

### COMPATIBLE GASKET (IF APPLICABLE)

VERTICAL LED HID

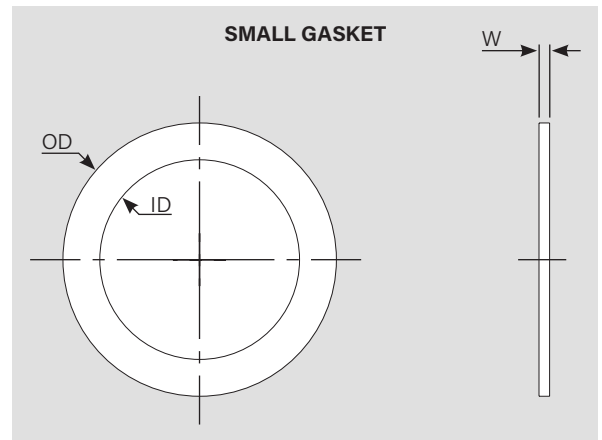


CATALOG NUMBER	GASKET SIZE
KT-LED80PSHID-V-EX39-8CSB-D	Small
KT-LED115PSHID-V-EX39-8CSB-D	Small

AREA LIGHT



CATALOG NUMBER	GASKET SIZE
KT-ALED70-S1-X-NM-8XX-VDIM	Small
KT-ALED100-S1-X-NM-8XX-VDIM	Small
KT-ALED140-M1-X-NM-8XX-VDIM	Small
KT-ALED210-L1-X-NM-8XX-VDIM	Small
KT-ALED290-L1-NM-8XX-VDIM	Small
KT-ALED140PSHV-M1-X-8CSB-VDIM	Small
KT-ALED290PSHV-L1-X-NM-8CSB-VDIM	Small
KT-ALED140HV-M1-X-NM-8XX-VDIM	Small
KT-ALED290HV-L1-X-NM-8XX-VDIM	Small



DIMENSIONS	
Outer Diameter (OD)	1.02"
Inner Diameter (ID)	0.75"
Width (W)	0.04"

**KTSL-FC3-12V-PKO-PIR**  
SCREW IN CONTROLLER WITH INTEGRATED SENSOR

**COMPATIBLE GASKET (IF APPLICABLE) CONTINUED**

**ROUND HIGH BAY**

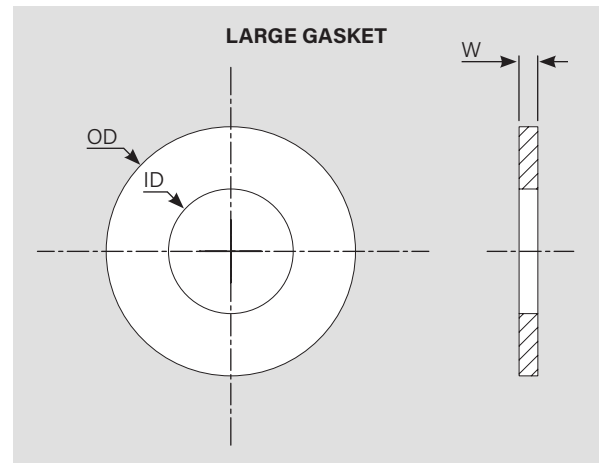


CATALOG NUMBER	GASKET SIZE
KT-RHLED200PS-14C-8CSB-VDIM-P	Large
KT-RHLED200PS-14C-8CSB-VDIM-P-W	Large
KT-RHLED100-12C-8XX-VDIM-P /G2	Large
KT-RHLED150-12C-8XX-VDIM-P /G2	Large
KT-RHLED200-14C-8XX-VDIM-P /G2	Large
KT-RHLED240-14C-8XX-VDIM-P /G2	Large

**LINEAR HIGH BAY**



CATALOG NUMBER	GASKET SIZE
KT-HBLED105PS-2FB-8CSD-VDIM-P	Large
KT-HBLED215PS-2FB-8SCD-VDIM-P	Large
KT-HBLED60-1.5F-8XX-VDIM-P /G2	Large
KT-HBLED80-1.5F-8XX-VDIM-P /G2	Large
KT-HBLED90-1.5F-8XX-VDIM-P /G2	Large
KT-HBLED115-1.5F-8XX-VDIM-P /G2	Large
KT-HBLED155-2F-8XX-VDIM-P /G2	Large
KT-HBLED185-2F-8XX-VDIM-P /G2	Large
KT-HBLED230-4F-8XX-VDIM-P /G2	Large
KT-HBLED270-4F-8XX-VDIM-P /G2	Large



DIMENSIONS	
Outer Diameter (OD)	1.57"
Inner Diameter (ID)	0.79"
Width (W)	0.12"

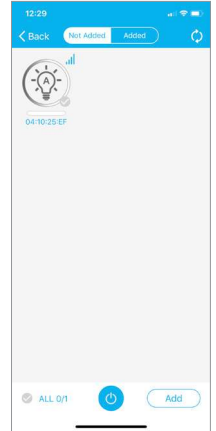


# SMART PORT LED

## KTSL-FC3-12V-PKO-PIR SCREW IN CONTROLLER WITH INTEGRATED SENSOR

### COMMISSIONING

1. Search for 'SmartLoop' on the app store for iPhone (iOS 8.0 or later, and Bluetooth 4.0 or later), or google play store for Android (Android 4.3 or later, and Bluetooth 4.0 or later).
2. With controllers installed and lights powered on, press + or Click to Add. The app will begin searching for available lights.
3. Check  each light to be commissioned to the region.
4. Press Add to confirm selections. The selected lights will now appear on the Lights page.
5. For further system commissioning, see User Manual at [www.keystonetech.com](http://www.keystonetech.com).



### FACTORY RESET

Decommissioning can be done by deleting a controller from the region, a power reset sequence, or by using the reset button for certain models.

#### In the app:

The phone/tablet must be connected to the device through the mesh network in order for the controller to be factory reset. Otherwise, the light will simply be removed from the region in the app, and the controller will need to be factory reset using one of the other methods below.

1. Go to the Lights page.
2. Press Select and check  the desired lights to decommission.
3. Press Delete and confirm.

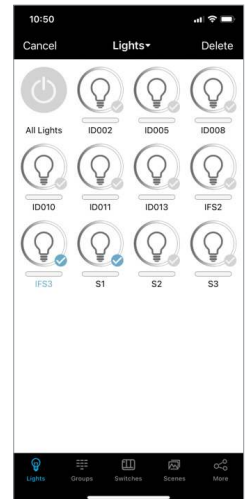
#### Power cycle reset sequence:

If a controller is assigned to another region, it will not appear when searching for new fixtures. Perform the below power cycle sequence to factory reset the controller.

1. Power on for 1 second, then off for 10 seconds.
2. Power on for 1 second, then off for 10 seconds.
3. Power on for 1 second, then off for 10 seconds.
4. Power on for 10 seconds, then off for 10 seconds.
5. Power on for 10 seconds, then off for 10 seconds.
6. Turn the light back on. The device should now be decommissioned and ready to add to a region.

#### Reset button:

While installed in a powered lamp, press and hold reset button for 3 seconds to initiate a factory reset.





**SMART PORT LED**

**KTSL-FC3-12V-PKO-PIR**  
SCREW IN CONTROLLER WITH INTEGRATED SENSOR

**ORDERING INFORMATION**

ORDER CODE	PACK QTY.	EASY CODE	UPC
KTSL-FC3-12V-PKO-PIR	20	OCW-60	843654138862

**CATALOG NUMBER BREAKDOWN**

**KTSL-FC3-12V-PKO-PIR**

1
2
3
4
5
6
7

- 1** Keystone Technologies SmartLoop
- 2** Fixture Controller
- 3** Design Style 3
- 4** Low Voltage
- 5** Pin Connection
- 6** Knock Out
- 7** PIR Sensor Type