



PRODUCT FEATURES

- ANSI Designation: M98
- Line Voltage: 120//277
- Regulation: 5%
- Frequency: 60 Hz
- Recommended Fuse (A): 4/2
- Circuit Type: HX-HPF
- Insulation Class: 180°C
- Capacitor Value: 8 MF
- Capacitor Voltage Rating: 280 V
- Capacitor Temperature Rating: 90°C
- Winding Materials: Cu/Cu
- Lamp Starter: N/A
- Agency Certification: RU, cRU
- Maximum Distance to Lamp: 10 FT
- 2 Year Warranty

LAMP TYPE: 70W MH

INPUT VOLTAGE: Dual (120/277)

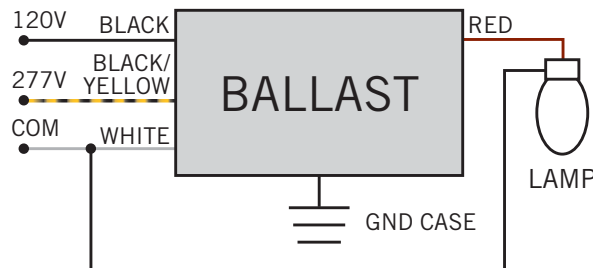
CIRCUIT TYPE: HX-HPF

ELECTRICAL SPECIFICATIONS

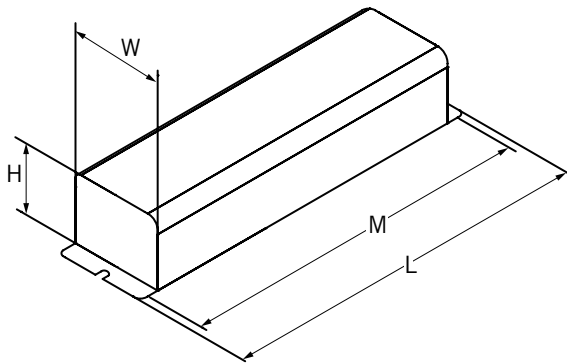
LINE VOLT (V)	POWER FACTOR	LINE CURRENT			INPUT POWER (W)	OPEN CIRCUIT VOLTAGE (V)	MINIMUM START TEMP	UL TEMP CODE	WIRING DIAGRAM
		OPERATING	OPEN	START					
120	High	0.70	1.69	0.52	82	258	-30°C	A	FC1-1
277	High	0.30	0.75	0.24	79	260	-30°C	A	FC1-1

WIRING DIAGRAMS

DIAGRAM FC1-1



CASE STYLE/DIMENSIONS



OVERALL DIMENSIONS

LENGTH: 11.80"
WIDTH: 3.23"
HEIGHT: 2.75"
MOUNTING: 11.40"

LEAD LENGTH: 12-14"

BALLAST NET WEIGHT: 9.48 lbs

ORDERING INFORMATION

ORDER CODE	PACKAGING STYLE	PACK QTY.	ITEM STATUS
MH-70X-D-FCAN		1	Quick Ship

CATALOG NUMBER BREAKDOWN

MH-70X-D-FCAN

