



KT-RDLED29PS-8A-8CSG-VDIM

8" RECESSED DOWNLIGHT

DESCRIPTION

8" Recessed Downlight | Power Select Technology | Color Select Technology | Internal Driver and Integral Whip

APPLICATION

Ideal for hospitality, retail, office, and other retrofit and new construction applications



10 YEAR
LIMITED WARRANTY

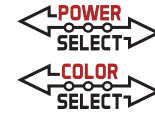
PRODUCT FEATURES

- Keystone Power Select and Color Select technologies offer SKU reduction and allow for easy, on-the-job adjustments
- Designed with integral whip to connect directly to a junction box; Ideal for installation into existing CFL pin-based fixture infrastructure
- Integral driver eliminates the need for a traditional multi-piece fixture setup
- Ideal for new construction, remodel, and retrofit applications
- Smooth reflector trim offers clean, modern appearance
- Diffused lens reduces glare
- Interchangeable trims available in matte black, brushed nickel, and bronze
- Powered by Keystone 0–10V dimming LED driver; 10–100% dimming
- Ambient operating temperature: –20°C/–4°F to 40°C/104°F
- Suitable for use in wet locations
- Airtight and Type IC-rated
- Power factor: >0.90
- THD: <20%
- LED chip lifetime: L70 >80,000 hrs @ 25°C/77°F ambient fixture temp
- FCC Part 15, Subpart B, Class B
- CEC Compliant Flicker Rate (CEC JA10 std.)

PERFORMANCE SPECIFICATIONS

Catalog Number	Input Voltage	Wattage (Selectable)	CCT (Selectable)*	Lumen Output	Efficacy	CRI	Power Factor	Lifetime
KT-RDLED29PS-8A-8CSG-VDIM	120–277V	29W	2700K	2600	90 lm/W	>80	>0.9	50,000 hrs
			3500K	2700	93 lm/W			
			5000K	2650	91 lm/W			
		23W	2700K	2100	91 lm/W			
			3500K	2150	93 lm/W			
			5000K	2100	91 lm/W			
		16.5W	2700K	1500	91 lm/W			
			3500K	1550	94 lm/W			
			5000K	1500	91 lm/W			

* Preset to highest CCT: 5000K
Color Uniformity: CCT (Correlated Color Temperature) range as per guidelines outlined in ANSI C78.377-2017

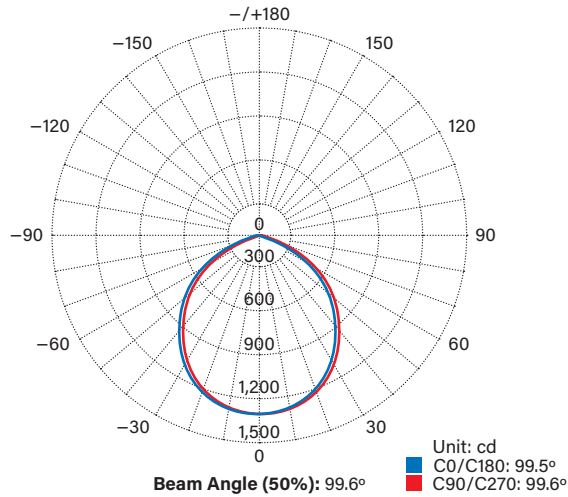


KT-RDLED29PS-8A-8CSG-VDIM

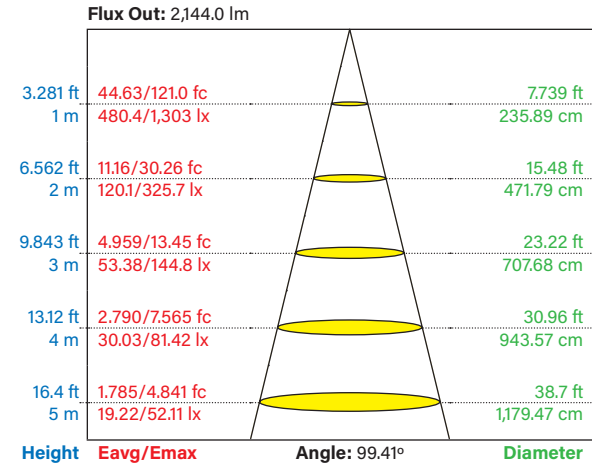
8" RECESSED DOWNLIGHT

PHOTOMETRIC SPECIFICATIONS*

POLAR CANDELA DISTRIBUTION



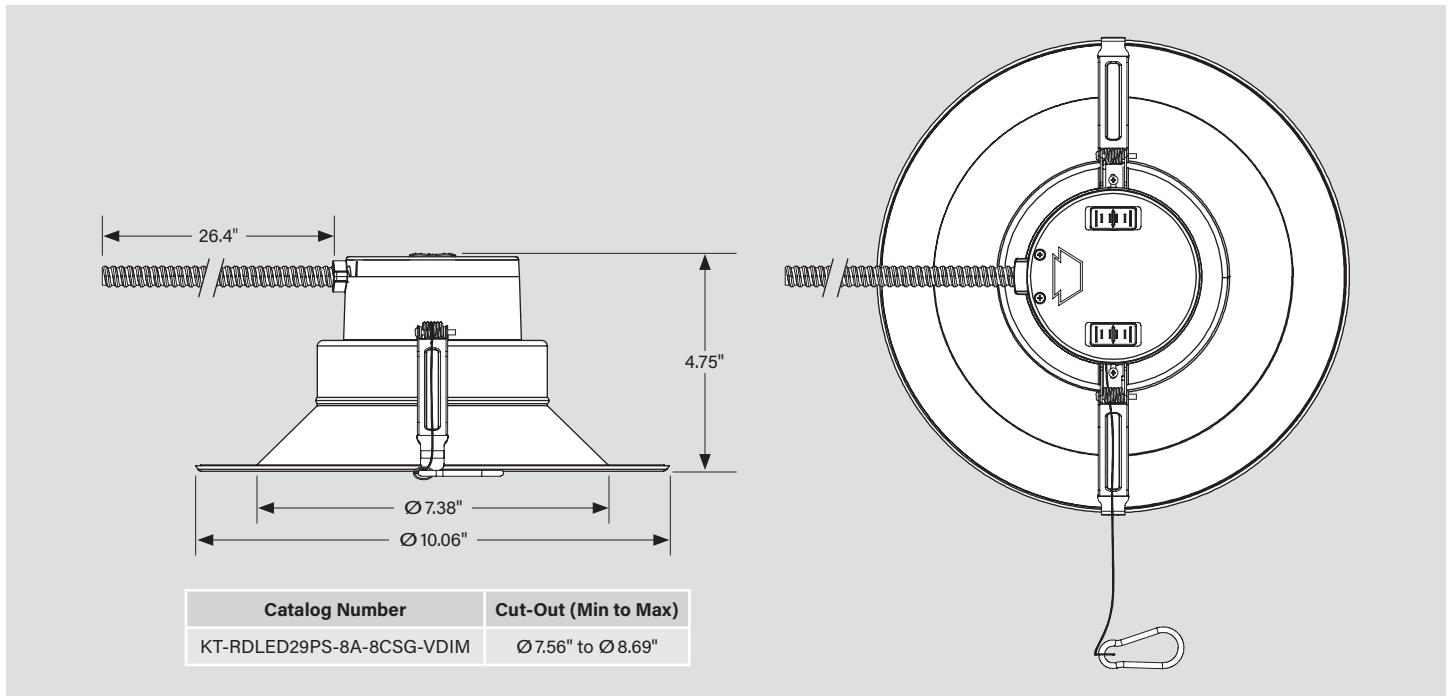
LUX DISTANCE CURVE



Curves show illuminated area and average illumination when lamp is at various distances.

* Tested at 29W and 2700K

PHYSICAL SPECIFICATIONS





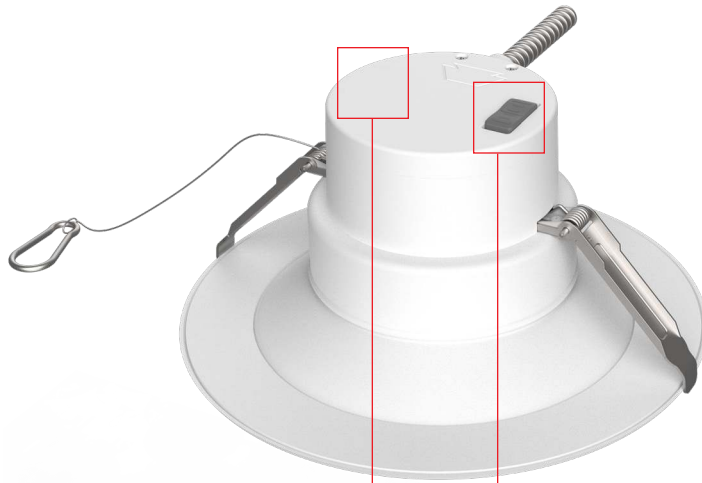
KT-RDLED29PS-8A-8CSG-VDIM

8" RECESSED DOWNLIGHT

POWER SELECT (WATTAGE) AND COLOR SELECT (CCT) ADJUSTMENT

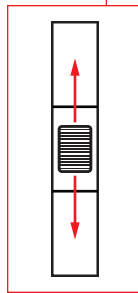
This fixture is equipped with field-adjustable Keystone Power Select and Color Select technology.

1. Ensure power is off to the fixture.
2. Adjust dip switches to desired settings.



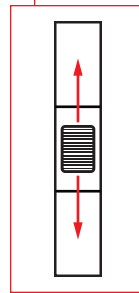
COLOR SELECT ADJUSTMENT SWITCH

Set dip switch to adjust CCT between 3000K, 3500K, and 4000K. Fixture comes preset at 4000K.

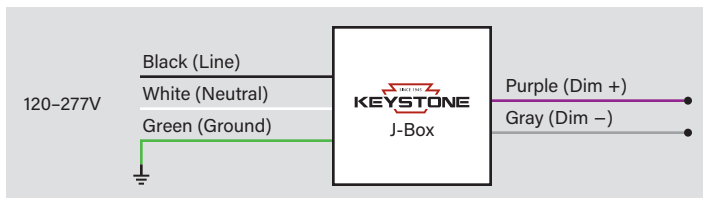


POWER SELECT ADJUSTMENT SWITCH

Set dip switch to adjust wattage between 16.5W, 23W, and 29W. Fixture comes preset at 29W.

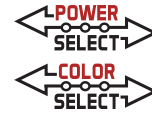


WIRING DIAGRAM





ADVANTA



KT-RDLED29PS-8A-8CSG-VDIM 8" RECESSED DOWNLIGHT

INSTALLATION INSTRUCTIONS

RETROFIT INSTALLATION

- 1. Shut off power at the source of the fixture housing into which you are installing fixture.**

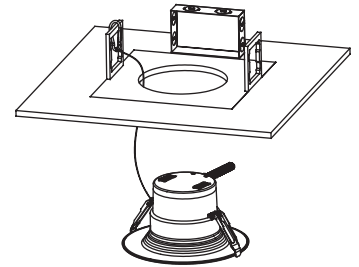
Remove existing trim and CFL or incandescent bulb.

Note: Follow all federal and local regulations when disposing of lamps and removed components.

- 2. Measure ceiling opening to ensure that the edge of the luminaire will cover the entire opening and still sit firmly in the ceiling (see Physical Specifications on page 2).**

- 3. Select desired Wattage and CCT using adjustment switches on fixture (see Power Select (Wattage) and Color Select (CCT) Adjustment on page 3).**

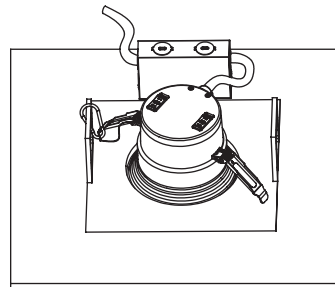
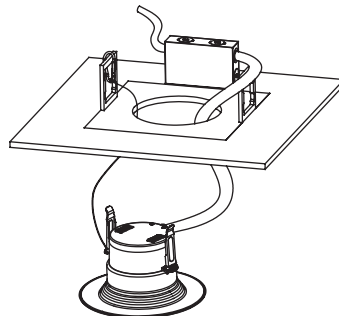
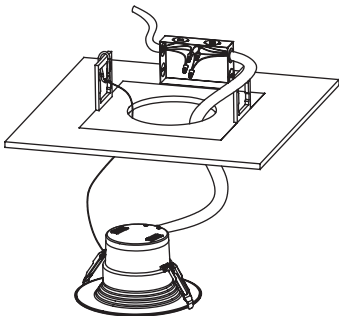
- 4. Attach carabiner safety clip to the existing fixture housing.**



- 5. Insert lamp conduit into J-box and wire to power source (see Wiring Diagram on page 3). Reattach J-box cover when done.**

- 6. Squeeze the two housing clips so they are in an upright position and then insert lamp into housing.**

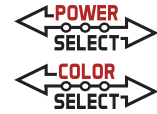
- 7. Once lamp is inside housing, release housing clips and continue to push lamp into housing until securely fixed and flush with ceiling. Restore power.**



(Installation Instructions continued on next page)



ADVANTA



KT-RDLED29PS-8A-8CSG-VDIM 8" RECESSED DOWNLIGHT

INSTALLATION INSTRUCTIONS (continued)

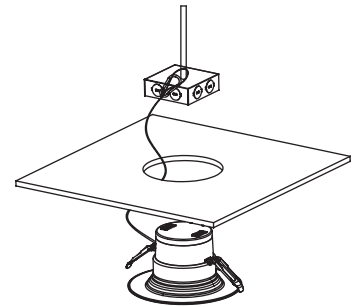
NEW-CONSTRUCTION INSTALLATION*

1. Shut off power at the source of the fixture housing into which you are installing fixture.

2. Create ceiling opening to ensure that the edge of the luminaire will cover the entire opening and still sit firmly in the ceiling (see Physical Specifications on page 2).

3. Select desired Wattage and CCT using adjustment switches on fixture (see Power Select (Wattage) and Color Select (CCT) Adjustment on page 3).

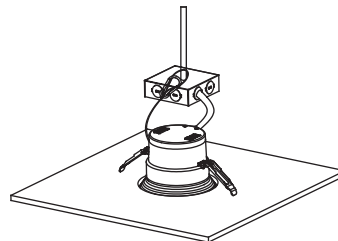
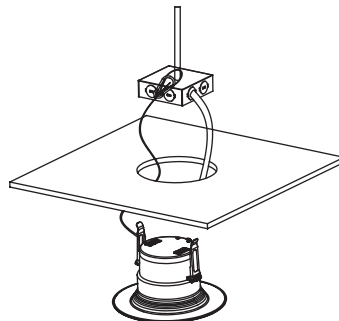
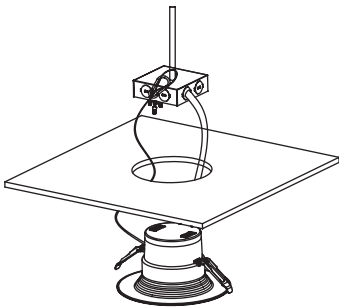
4. Attach carabiner safety clip to secure location in ceiling.



5. Insert lamp conduit into J-box and wire to power source (see Wiring Diagram on page 3). Reattach J-box cover when done.

6. Squeeze the two housing clips so they are in an upright position and then insert lamp into opening.

7. Once lamp is inside opening, release housing clips and continue to push lamp into opening until securely fixed and flush with ceiling. Restore power.



* Keystone offers optional New Construction Plate (KT-RDLED-PLATE-1) for both new joist and T-grid installations. See Optional Accessories (sold separately) on page 6.



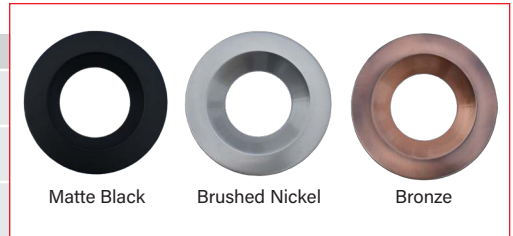
KT-RDLED29PS-8A-8CSG-VDIM

8" RECESSED DOWNLIGHT

OPTIONAL ACCESSORIES (sold separately)

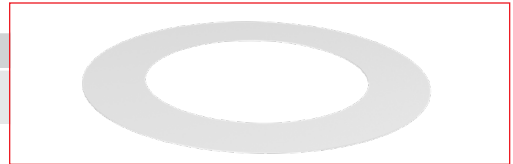
INTERCHANGEABLE TRIM

Catalog Number	Description	UPC	Easy Code
KT-RDLED-8A-MB-TRIM	8" Interchangeable trim for 8" recessed downlights; Matte black	843654137162	KEY-99
KT-RDLED-8A-BN-TRIM	8" Interchangeable trim for 8" recessed downlights; Brushed nickel	843654137193	VKJ-61
KT-RDLED-8A-BR-TRIM	8" Interchangeable trim for 8" recessed downlights; Bronze	843654137223	MSA-34



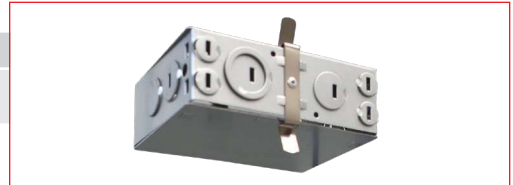
GOOF RING

Catalog Number	Description	UPC	Easy Code
KT-RDLED-8A-GOOF	8" Goof ring for 8" recessed downlights; 12.51" outer diameter	843654137254	UDK-67



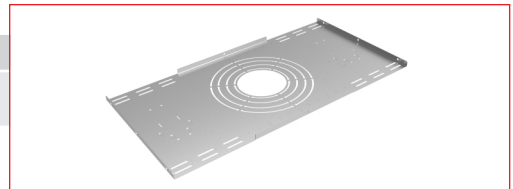
JUNCTION BOX

Catalog Number	Description	UPC	Easy Code
KT-RDLED-JBOX-1-KIT	Junction box for recessed downlights	843654137278	HJA-70



NEW-CONSTRUCTION PLATE

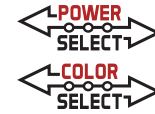
Catalog Number	Description	UPC	Easy Code
KT-RDLED-PLATE-1	New-construction plate for recessed downlights	843654137285	BMS-81



EMERGENCY PACK

Catalog Number	Description	UPC	Easy Code
KT-EMRG-LED-12-1200-AC / DF	LED Emergency Backup, 12W - 1200 Lumen Constant Power Design. 120-277V Input. Dual Flex Cable Design. Installs on Primary Side of AC Powered LED load.	843654139890	MPM-43





KT-RDLED29PS-8A-8CSG-VDIM

8" RECESSED DOWNLIGHT

ORDERING INFORMATION

Catalog Number	Pack Qty.	UPC	Easy Code
KT-RDLED29PS-8A-8CSG-VDIM	1	843654137063	RGW-98

CATALOG NUMBER BREAKDOWN

KT-RDLED29PS-8A-8CSG-VDIM

1 2 3 4 5 6 7 8 9 10 11

1 Keystone Technologies

2 Fixture Type

3 LED Technology

4 Maximum Wattage

5 Power Select Technology

6 Size

7 Style/Design Designation

8 CRI

9 Color Select Technology

10 Color Select Designation

11 Dimming

2 Fixture Type

RD Recessed Downlight

6 Size

8 8" Nominal

7 Style/Design Designation

A Series A

8 CRI

8 80

10 Color Select Designation

G 2700K, 3500K, 5000K

11 Dimming

VDIM 0-10V Dimming