



EXTERNAL DRIVE LED
TYPE C LED TUBES



KT-LED10.5T8-36G-8CSJ-E

T8 LED LAMP

DESCRIPTION

T8 LED | 10.5W | 120-277Vac Input | 3' Length | Color Select | Type C
>82 CRI | 0-10V Dimming | G13 (Medium Bi-Pin)



10 YEAR
LIMITED WARRANTY



PRODUCT FEATURES

- Keystone Power Select technology (see *Performance Specifications* for details)
- Keystone Color Select technology (3000/3500/4000/5000/6500K)
- Compatible with Keystone external drive LED drivers
- Bi-Level Dimming:
 - Toggle Between Partial & Full Brightness using Wall Switch
- Replacement for conventional fluorescent lamps
- 70,000+ hour lifetime
- Type C application for custom installations and maximum efficiency
- Environmentally friendly: No mercury used
- Instant startup
- Frosted glass eliminates pixelation
- UL Classified
- Operating temperature: -20°C/-4°F to 45°C/113°F
- Humidity: 10-90%
- 0-10V Dimming
- Power Factor >0.9
- 12V Aux Output, 100mA Max. Current

PERFORMANCE SPECIFICATIONS

BARE LAMP

Lumens	Wattage	Efficacy	CRI
1,745	10.5W	166 lm/W	>82

SYSTEM - 100% POWER

Lamp Configuration	System Total Power	CCT	System Total Lumens	System Efficacy	System Per Lamp Lumens	System Per Lamp Power	Type C Driver
1-Lamp	12.6W	3000K	1,635	130 lm/W	1,635	12.6W	KTLD-2LT8-UV-PS15C-BL-VDIM
		3500K	1,745	139 lm/W	1,745	12.6W	
		4000K	1,745	139 lm/W	1,745	12.6W	
		5000K	1,745	139 lm/W	1,745	12.6W	
		6500K	1,735	138 lm/W	1,735	12.6W	
2-Lamp	25.0W	3000K	3,270	131 lm/W	1,635	12.5W	
		3500K	3,490	140 lm/W	1,745	12.5W	
		4000K	3,490	140 lm/W	1,745	12.5W	
		5000K	3,490	140 lm/W	1,745	12.5W	
		6500K	3,470	139 lm/W	1,735	12.5W	
3-Lamp	37.3W	3000K	4,905	132 lm/W	1,635	12.4W	KTLD-4LT8-UV-PS15C-BL-VDIM
		3500K	5,235	140 lm/W	1,745	12.4W	
		4000K	5,235	140 lm/W	1,745	12.4W	
		5000K	5,235	140 lm/W	1,745	12.4W	
		6500K	5,205	140 lm/W	1,735	12.4W	
4-Lamp	49.0W	3000K	6,540	134 lm/W	1,635	12.3W	
		3500K	6,980	142 lm/W	1,745	12.3W	
		4000K	6,980	142 lm/W	1,745	12.3W	
		5000K	6,980	142 lm/W	1,745	12.3W	
		6500K	6,940	142 lm/W	1,735	12.3W	

(Performance Specifications continued on next page)



KT-LED10.5T8-36G-8CSJ-E

T8 LED LAMP

PERFORMANCE SPECIFICATIONS (continued)

10.5W LAMP SYSTEM

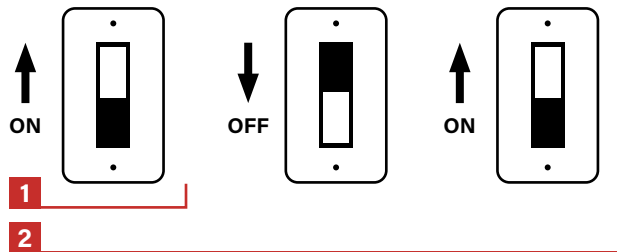
System Wattage	1-Lamp			2-Lamp			3-Lamp			4-Lamp		
	300mA	240mA	180mA	300mA	240mA	180mA	300mA	240mA	180mA	300mA	240mA	180mA
100%	12.6W	10.1W	7.6W	25.0W	20.0W	15.0W	37.3W	29.8W	22.4W	49.0W	39.2W	29.4W
70%	8.8W	7.1W	5.3W	17.5W	14.0W	10.5W	26.1W	20.9W	15.7W	34.3W	27.4W	20.6W
50%	6.3W	5.0W	3.8W	12.5W	10.0W	7.5W	18.7W	14.9W	11.2W	24.5W	19.6W	14.7W
System Lumens	1-Lamp			2-Lamp			3-Lamp			4-Lamp		
	300mA	240mA	180mA	300mA	240mA	180mA	300mA	240mA	180mA	300mA	240mA	180mA
100%	1,745	1,265	905	3,490	2,670	1,970	5,235	4,050	2,970	6,980	5,415	3,985
70%	1,085	835	595	2,310	1,820	1,310	3,495	2,740	1,950	4,715	3,695	2,675
50%	730	555	380	1,595	1,225	855	2,400	1,840	1,280	3,280	2,545	1,810
System Efficacy	1-Lamp			2-Lamp			3-Lamp			4-Lamp		
	300mA	240mA	180mA	300mA	240mA	180mA	300mA	240mA	180mA	300mA	240mA	180mA
100%	138 lm/W	126 lm/W	120 lm/W	140 lm/W	134 lm/W	131 lm/W	140 lm/W	136 lm/W	133 lm/W	142 lm/W	138 lm/W	135 lm/W
70%	123 lm/W	118 lm/W	112 lm/W	132 lm/W	130 lm/W	125 lm/W	134 lm/W	131 lm/W	124 lm/W	137 lm/W	135 lm/W	130 lm/W
50%	116 lm/W	111 lm/W	101 lm/W	128 lm/W	122 lm/W	114 lm/W	129 lm/W	123 lm/W	115 lm/W	134 lm/W	130 lm/W	123 lm/W

* Keystone Power Select Technology (300/240/180mA)
 * Keystone Bi-Level Dimming (100/70/50%)
 * 3000K has a 3% loss, other CCTs maintain performance

KEY FEATURES

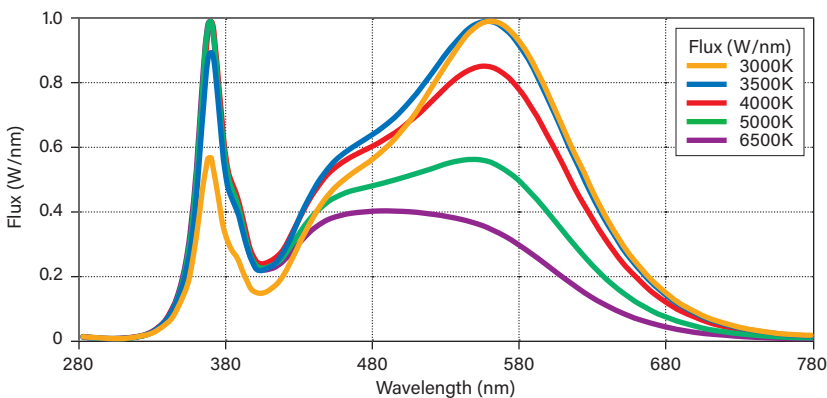
BI-LEVEL DIMMING

- MODE 1** Partial Brightness (settable to 100/70/50%)
 Flip wall switch to ON position
- MODE 2** Full Brightness (100%)
 Flip wall switch twice within 5 seconds



PHOTOMETRIC SPECIFICATIONS

SPECTRAL DISTRIBUTION



RATED LIFE

L70 (Hours) 70,000

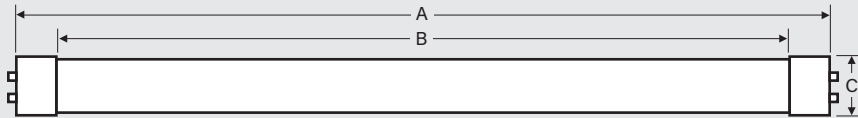
BEAM ANGLE: 160°

KT-LED10.5T8-36G-8CSJ-E

T8 LED LAMP

PHYSICAL SPECIFICATIONS

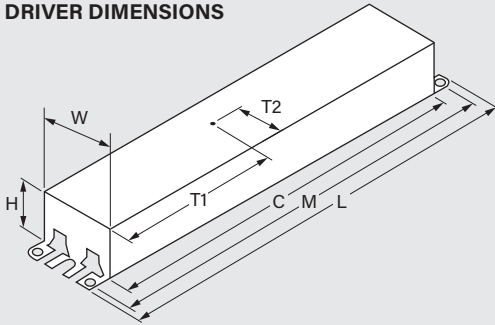
LAMP DIMENSIONS



KT-LED10.5T8-36G-8CSJ-E	
A (Body Length)	35.22"
B (Illuminated Length)	31.48"
C (Diameter)	1.10"

BASE TYPE: G13 (MEDIUM BI-PIN)

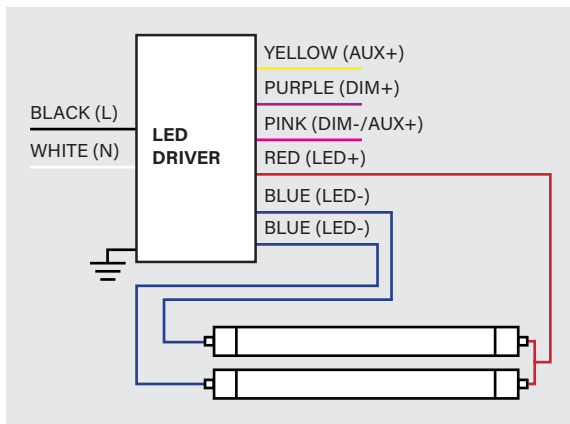
DRIVER DIMENSIONS



KTLD-XLT8-UV-PS15C-BL-VDIM	
Length (L)	11.02"
Mounting Length (M)	10.49"
Case Length (C)	9.58"
Width (W)	1.18"
Height (H)	0.87"
Tc Point (T1)	4.50"
Tc Point (T2)	0.59"

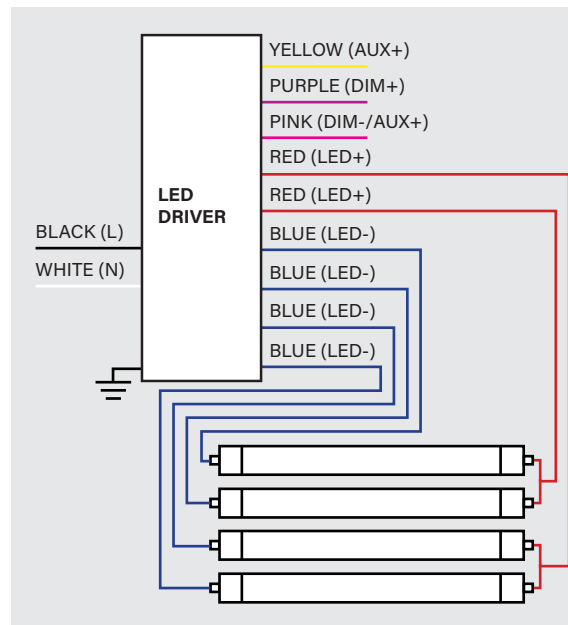
WIRING SPECIFICATIONS

KTLD-2LT8-UV-PS15C-BL-VDIM



*For 1 Lamp application, cap off 1 blue lead

KTLD-4LT8-UV-PS15C-BL-VDIM



*For 3 Lamp application, cap off 1 blue lead

STANDARD LEAD LENGTHS*

Input	Black	30.00"
	White	30.00"
Output	Red	30.00"
	Blue	30.00"
	Purple	30.00"
	Pink	30.00"
	Yellow	30.00"

Input Wires are 18 AWG
105°C / 600V

Output Wires are 20 AWG
105°C / 300V

*Consult Keystone for special lead length requirements.



KT-LED10.5T8-36G-8CSJ-E

T8 LED LAMP

ORDERING INFORMATION

Catalog Number	Carton QTY	Item Status	UPC	Easy Code
KT-LED10.5T8-36G-8CSJ-E	25	Quick Ship	843654177281	TDH-32

CATALOG NUMBER BREAKDOWN

KT-LED10.5T8-36G-8CSJ-E

1
2
3
4
5
6
7
8
9
10

- 1** Keystone Technologies
- 2** LED Lamp
- 3** Wattage
- 4** Lamp Type
- 5** Nominal Length (Inches)
- 6** Glass
- 7** 80 CRI
- 8** Color Select
- 9** Color Select Designation
- 10** External Drive Series

9 COLOR SELECT DESIGNATION

J	3000/3500/4000/5000/6500K
---	---------------------------