



DIRECT DRIVE DX2

SINGLE- OR DOUBLE-ENDED LINE VOLTAGE LED TUBES

KT-LED7T8-24GC-8XX-DX2 /G2

T8 LED LAMP

DESCRIPTION

7W T8 LED | 3500-5000K | >83 CRI | High Efficiency | Single or Double-ended Wiring



LAMP TYPE: Linear
BULB TYPE: T8 LED
BASE TYPE: G13 (Medium Bi-Pin)
WATTAGE: 7W
COLOR TEMPERATURE: 3500-5000K
COLOR RENDERING INDEX (CRI): >83
WARRANTY: 10 Years



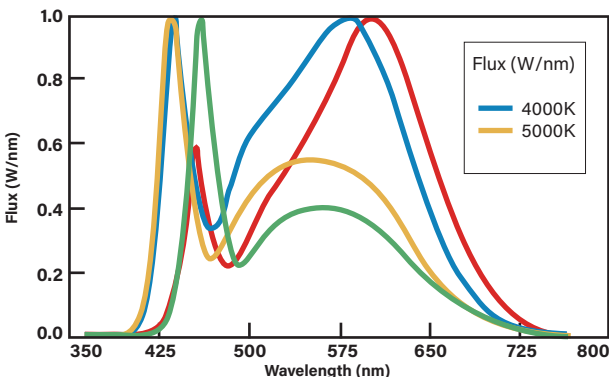
PRODUCT FEATURES

- Replacement for Conventional Fluorescent Lamp
- Single or Double-Ended Wiring
- 50,000+ Hour Lifetime
- Approximately 40% More Energy Efficient than Standard F32T8 Lamps
- Environmentally Friendly: No Mercury Used
- Instant Startup
- NSF listed: NSF/ANSI Standard 2: Food equipment, splash zone (component level—not for direct food zone without additional fixture considerations)
- Improved Lamp Durability with Shatterproof Coated Glass, designed to pass drop tests of 6' on hard surface
- DLC Listed
- Frosted Glass Lens Eliminates Pixilation
- UL Classified
- Operating Temperature: -20°C/-4°F to 45°C/113°F
- Storage Temperature: -40°C/-40°F to 70°C/158°F
- Operating Humidity: 35-80%
- THD 20%
- Integral Driver (Isolated), Eliminates the Need for External Driver or Ballast
- 130+ Lumens per Watt
- Meets FCC Part 15, Class B
- Compatible with Keystone AC Emergency Drivers: KT-EMRG-LED-5-500-AC, KT-EMRG-LED-5-500-AC/DF, KT-EMRG-LED-12-1200-AC, or KT-EMRG-LED-12-1200-AC /DF
- Lamp is dimmable when used with an appropriate dimming accessory (purchased separately). Contact Keystone for more details to find out what is best for the intended application.

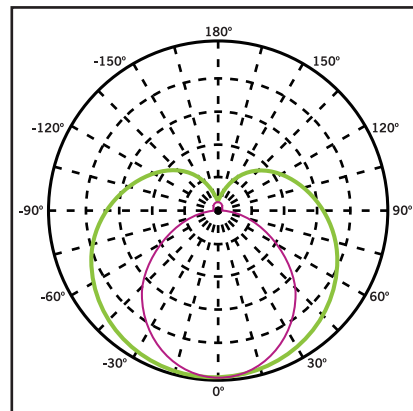
ELECTRICAL AND PERFORMANCE SPECIFICATIONS

Catalog Number	Input Voltage	Power Consumption	Color Temperature (CCT)	Luminous Flux	Efficacy	Beam Angle	Visible Light Area	Power Factor	Input Current	Rated Life
KT-LED7T8-24GC-835-DX2 /G2	120-277 Vac	7W	3500K	950 lm	135 lm/W	240°	325°	>0.9	0.06A @ 120V 0.03A @ 277V	L70 (Hours) 50,000
KT-LED7T8-24GC-840-DX2 /G2			4000K	1000 lm	143 lm/W					
KT-LED7T8-24GC-850-DX2 /G2			5000K	1000 lm	143 lm/W					

SPECTRAL DISTRIBUTION



POLAR CANDELA DISTRIBUTION



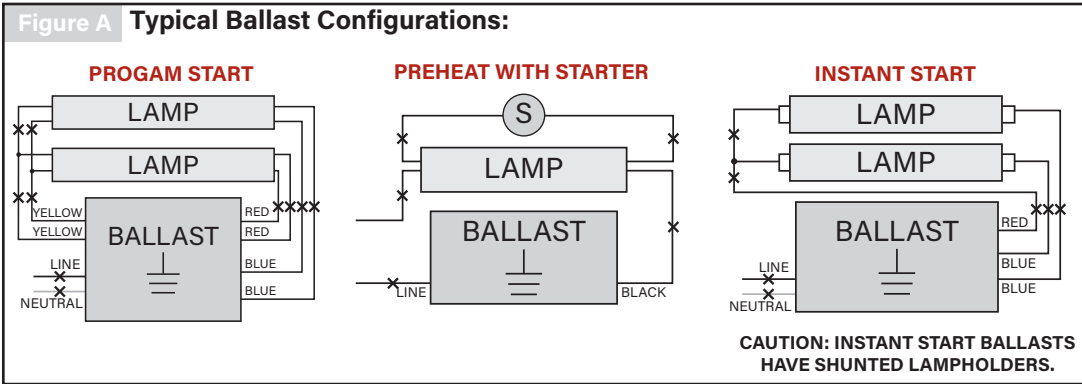
Maximum Candela = 1248.55
Located at Horizontal Angle = 0,
Vertical Angle 0

1. **Violet** Vertical Plane through Horizontal Angles (90-270)
2. **Green** Vertical Plane through Horizontal Angles (0-180)

KT-LED7T8-24GC-8XX-DX2 /G2
T8 LED LAMP

SINGLE-ENDED WIRING DIAGRAM

1. Cut all existing connections to ballast as shown below and remove ballast. See Figure A for typical ballast configurations. **Note: Single-ended wiring requires non-shunted lampholders.**



Typical Non-Shunted Lampholder

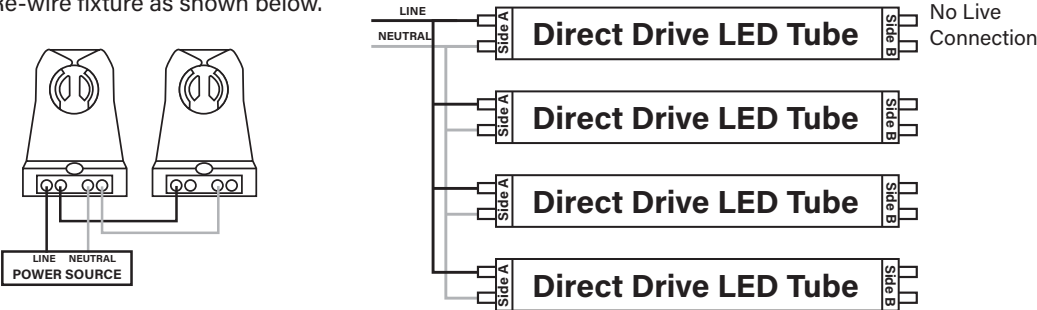
Connect wires directly to these terminals

CAUTION: For Single-ended wiring use only non-shunted lampholders.

For Single-ended wiring, do not install product in a fixture with shunted lampholders (found in all fixtures using instant start ballasts). If the current lampholders are shunted, remove them and replace them with non-shunted lampholders. Make new connections directly to terminals as indicated above.

Keystone can provide any style replacement lampholders. Call us at 800-464-2680.

2. Re-wire fixture as shown below.



DOUBLE-ENDED WIRING DIAGRAM

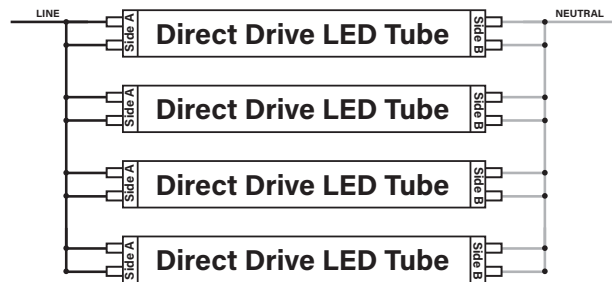
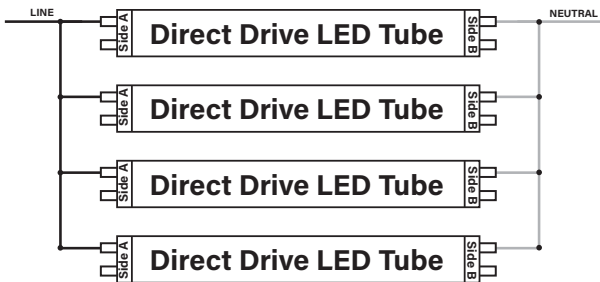
1. Cut all existing connections to ballast as shown below and remove ballast. See Figure A above for typical ballast configurations.

2. Re-wire fixture as shown below. For Double-ended wiring, use either shunted or nonshunted lampholders.

Note: There should not be any exposed wires at the end of installation.

Shunted Lampholders

Nonshunted Lampholders





DIRECT DRIVE DX2
SINGLE- OR DOUBLE-ENDED LINE VOLTAGE LED TUBES

KT-LED7T8-24GC-8XX-DX2 /G2

T8 LED LAMP

PHYSICAL SPECIFICATIONS

LAMP DIMENSIONS

	A (Illuminated Length)	18.67"
	B (Body Length)	23.19"
	C (Diameter)	1.02"

NOMINAL LENGTH: 24" BASE TYPE: G13 (Medium Bi-Pin)

ORDERING INFORMATION

ORDER CODE	PACK QTY.	UPC	EASY CODE
KT-LED7T8-24GC-835-DX2 /G2	25	843654157306	YVA-55
KT-LED7T8-24GC-840-DX2 /G2	25	843654157313	GFH-58
KT-LED7T8-24GC-850-DX2 /G2	25	843654157320	YPZ-06

CATALOG NUMBER BREAKDOWN

KT-LED7T8-24GC-8XX-DX2 /G2

1 2 3 4 5 6 7 8 9 10

- 1 Keystone Technologies
- 2 LED Lamp
- 3 Wattage
- 4 Lamp Type
- 5 Nominal Length (Inches)
- 6 Shatter-Proof Coated Glass
- 7 80 CRI
- 8 Color Temperature
- 9 Single or Double-Ended Wiring
- 10 Second Generation