

## KT-CLED40PS-S1-8CSB-VDIM-W

### LED CANOPY LIGHT FIXTURE

#### DESCRIPTION

General Purpose LED Canopy Light | Power Select 40/30/20W |  
Color Select 3000/4000/5000K | 120–277V Input | White Housing

#### APPLICATION

Ceiling mounted outdoor illumination needs, such as parking garages, covered walkways, entrance areas, etc.



**10 YEAR**  
LIMITED WARRANTY



#### PRODUCT FEATURES

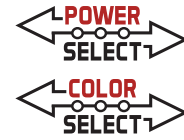
- Keystone Power Select technology (40/30/20W)
- Keystone Color Select technology (3000/4000/5000K)
- Familiar, low profile design ideal for a wide range of new and replacement installations
- Heavy-duty die-cast aluminum housing with a modern aesthetic and (3) 1/2" NPT threaded conduit hubs
- Suitable for standard junction box mounting or 3/4" NPT pendant mounting
- Built-in dusk-to-dawn photocell behind translucent 3/4" threaded plug with anti-yellowing agent
- Impact-resistant, polycarbonate diffuser with 160° parking garage distribution. Perfect for low mounting applications
- Optional 110° canopy distribution diffuser available. Perfect for high mounting applications
- Compatible with KTS-MW3-12V-PKO, quick install bi-level occupancy sensor accessory available
- Compatible with KTSL-FC4-12V-PKO, SmartLoop Bluetooth wireless controller accessory available
- Powered by Keystone LED 0–10V dimming driver
- Ambient operating temperature: –40°C/–40°F to 50°C/122°F
- UL certified for wet locations, IP65 rated
- Power Factor: > 0.95
- THD: < 20%
- L70 @ >100,000 hrs @ 25°C/77°F ambient fixture temperature
- Meets FCC Part 15, Part B, Class A standards for conducted and radiated emissions

#### PERFORMANCE SPECIFICATIONS

| Catalog Number             | Selectable Wattage | Selectable CCT | Lumens | Efficacy | Input Voltage | Dimming | CRI  | Distribution Pattern | Photocell Included | Nominal Size | Housing Color | Legacy Equivalent |
|----------------------------|--------------------|----------------|--------|----------|---------------|---------|------|----------------------|--------------------|--------------|---------------|-------------------|
| KT-CLED40PS-S1-8CSB-VDIM-W | 40W                | 3000K          | 5000   | 125 lm/W | 120–277V      | 0–10V   | > 80 | 160°                 | Yes                | 8" square    | White         | 175W MH           |
|                            |                    | 4000K          | 5600   | 140 lm/W |               |         |      |                      |                    |              |               |                   |
|                            |                    | 5000K          | 5200   | 130 lm/W |               |         |      |                      |                    |              |               |                   |
|                            | 30W                | 3000K          | 3750   | 125 lm/W |               |         |      |                      |                    |              |               |                   |
|                            |                    | 4000K          | 4200   | 140 lm/W |               |         |      |                      |                    |              |               |                   |
|                            |                    | 5000K          | 3900   | 130 lm/W |               |         |      |                      |                    |              |               |                   |
|                            | 20W                | 3000K          | 2500   | 125 lm/W |               |         |      |                      |                    |              |               |                   |
|                            |                    | 4000K          | 2800   | 140 lm/W |               |         |      |                      |                    |              |               |                   |
|                            |                    | 5000K          | 2600   | 130 lm/W |               |         |      |                      |                    |              |               |                   |

Note: Preset to highest lumen output (40W/5000K)

Note: Color uniformity: CCT (Correlated Color Temperature) range as per guidelines outlined in ANSI C78.377-2017

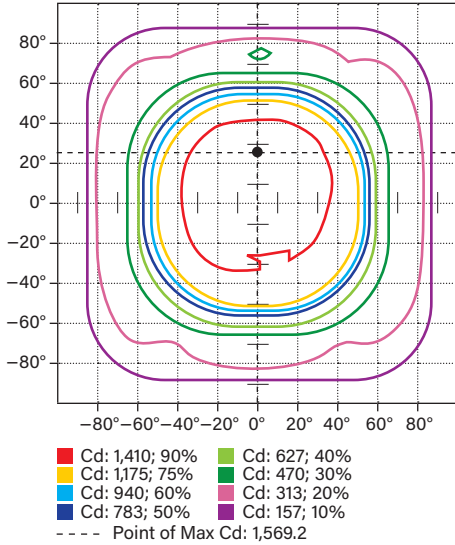


# KT-CLED40PS-S1-8CSB-VDIM-W

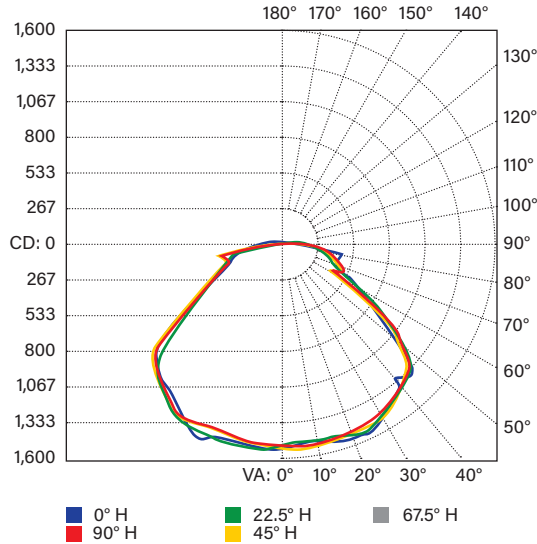
## LED CANOPY LIGHT FIXTURE

### PHOTOMETRIC SPECIFICATIONS

#### ISOCANDELA PLOT



#### POLAR CANDELA DISTRIBUTION



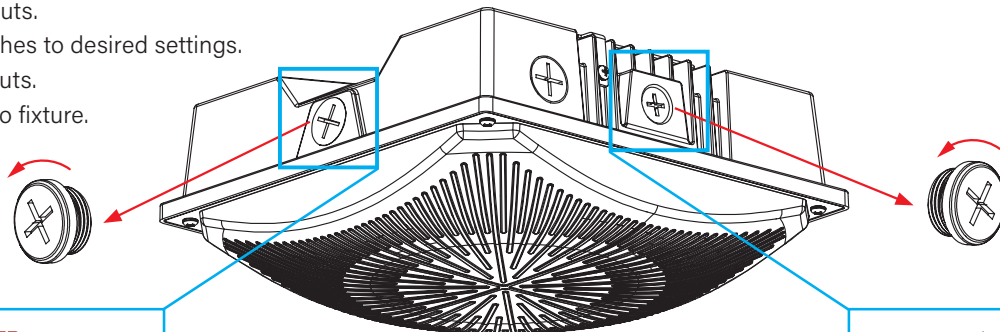
#### ZONAL LUMEN SUMMARY

| Zone   | Lumens  | % Luminaire |
|--------|---------|-------------|
| 0-30   | 1,238.1 | 23.2%       |
| 0-40   | 2,137.9 | 40.1%       |
| 0-60   | 3,992.1 | 74.9%       |
| 60-90  | 1,137.1 | 21.3%       |
| 70-100 | 702.5   | 13.2%       |
| 90-120 | 153.9   | 2.9%        |
| 0-90   | 5,129.2 | 96.2%       |
| 90-180 | 200.4   | 3.8%        |
| 0-180  | 5,329.6 | 100%        |

### POWER SELECT (WATTAGE) AND COLOR SELECT (CCT) ADJUSTMENT

This fixture is equipped with field-adjustable Keystone Power Select and Color Select technology.

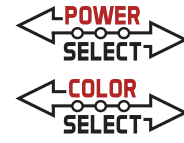
1. Ensure power is off to the fixture.
2. Remove knockouts.
3. Adjust dip switches to desired settings.
4. Replace knockouts.
5. Restore power to fixture.



**POWER SELECT ADJUSTMENT SWITCH**  
 Set dip switch to adjust wattage between 20W, 30W, and 40W. Fixture comes preset at 40W.

**PHOTOCELL ON/OFF SWITCH**  
 Set dip switch to turn on or turn off built-in photocell.

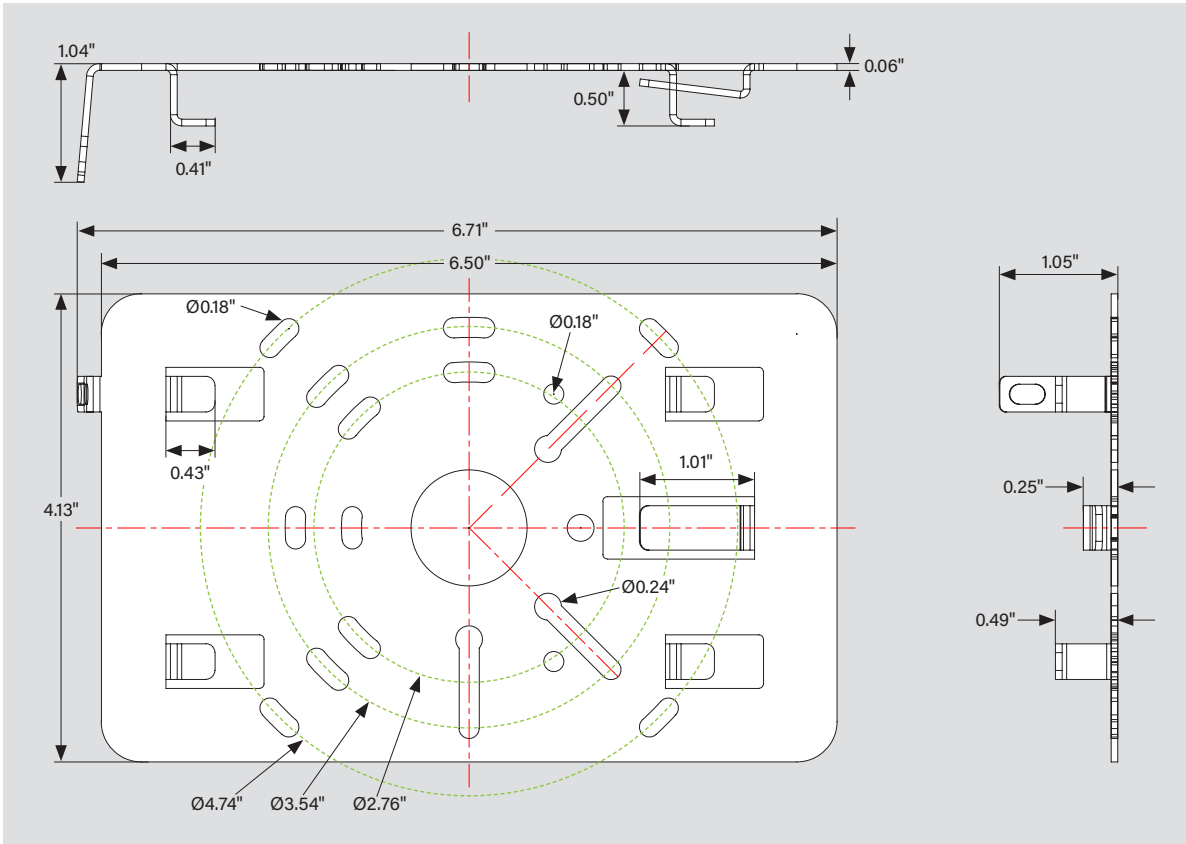
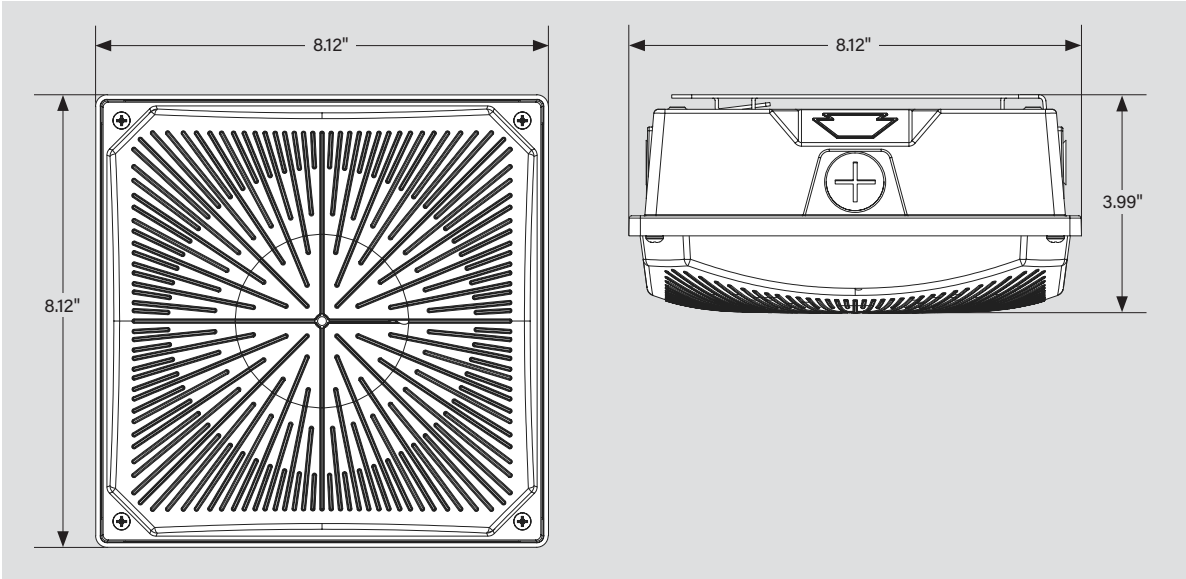
**COLOR SELECT ADJUSTMENT SWITCH**  
 Set dip switch to adjust CCT between 3000K, 4000K, and 5000K. Fixture comes preset at 5000K.



# KT-CLED40PS-S1-8CSB-VDIM-W

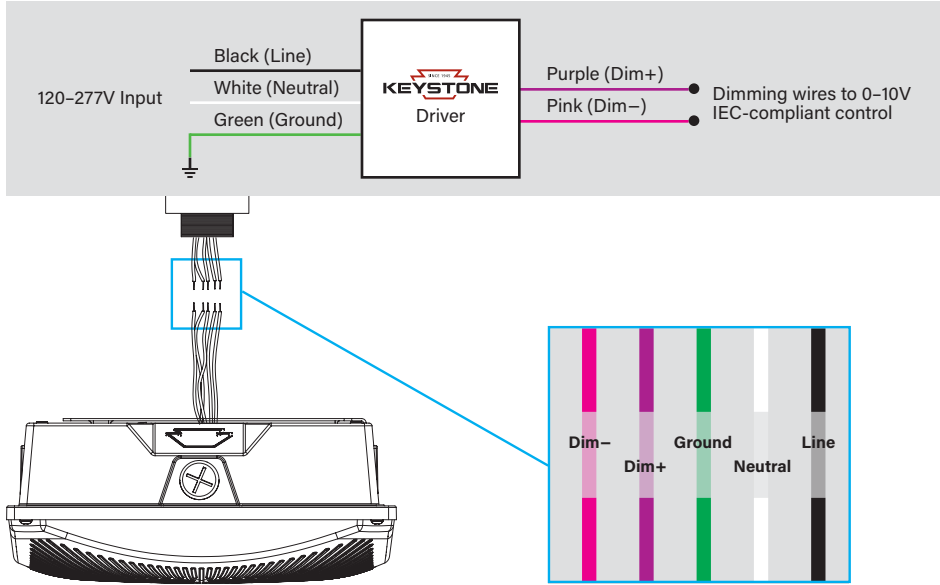
## LED CANOPY LIGHT FIXTURE

### DIMENSIONS



**KT-CLED40PS-S1-8CSB-VDIM-W**  
LED CANOPY LIGHT FIXTURE

**WIRING DIAGRAMS**



**ACCESSORIES**

**SENSORS / CONTROLLERS**

Factory-Installable OR Field-Installable (field-installable purchased separately)

| ✓ | SUFFIX* | CATALOG NUMBER   | DESCRIPTION  | UPC          | EASY CODE |
|---|---------|------------------|--|--------------|-----------|
|   | /FC4    | KTSL-FC4-12V-PKO | Bluetooth mesh wireless screw-in low voltage fixture controller for SmartLoop system | 843654149066 | RUN-10    |
|   | /MW3    | KTS-MW3-12V-PKO  | 12V Microwave Occupancy Sensor   | 843654135212 | TRM-32    |

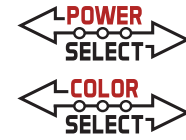


**LENSES**

Factory-Installable OR Field-Installable (field-installable purchased separately)

| ✓ | SUFFIX* | CATALOG NUMBER          | DESCRIPTION                                     | UPC          | EASY CODE |
|---|---------|-------------------------|---|--------------|-----------|
|   | /L110   | KT-CLED-LENS-S1-110-KIT | 110° beam angle lens   Used on 8" square canopy | 843654152011 | GNA-34    |





# KT-CLED40PS-S1-8CSB-VDIM-W

## LED CANOPY LIGHT FIXTURE

### MOUNTS AND BRACKETS

Field-Installable / Field-Use ONLY (purchased separately)

| CATALOG NUMBER   | DESCRIPTION   | UPC          | EASY CODE |
|------------------|---|--------------|-----------|
| KT-CLED-BP-15-W  | 15" mounting back plate   White   Used on all canopy fixtures   | 843654152035 | CEU-41    |
| KT-CLED-SM-1-KIT | Surface mount / pendant mount kit   White   Used on series 1 canopy fixtures   Attaches to pre-installed mounting plate | 843654160375 | ZDU-78    |



\*For factory installation of accessory, add suffix to fixture part number (see ordering examples and instructions on last page of spec sheet).

### FIXTURE ORDERING INFORMATION

| ORDER CODE                       | UPC          | Easy Code | DLC PRODUCT ID       |
|----------------------------------|--------------|-----------|----------------------|
| KT-CLED40PS-S1-8CSB-VDIM-W       | 843654151977 | AZF-82    | S-2I7S3O             |
| KT-CLED40PS-S1-8CSB-VDIM-W /L110 | 843654163130 | NNO-93    | S-7BTLCP<br>S-ORPVJD |

### FIXTURE CATALOG NUMBER BREAKDOWN

# KT-CLED40PS-S1-8CSB-VDIM-W

|                                |                               |                         |                      |                                 |                     |                   |                 |                                  |  |                         |   |   |       |
|--------------------------------|-------------------------------|-------------------------|----------------------|---------------------------------|---------------------|-------------------|-----------------|----------------------------------|--|-------------------------|---|---|-------|
| <b>1</b>                       | <b>2</b>                      | <b>3</b>                | <b>4</b>             | <b>5</b>                        | <b>6</b>            | <b>7</b>          | <b>8</b>        | <b>9</b>                         | <b>10</b>                              | <b>11</b>               | <b>12</b>   |   |       |
| <b>1</b> Keystone Technologies | <b>2</b> Canopy Light Fixture | <b>3</b> LED Technology | <b>4</b> Max Wattage | <b>5</b> Power Select 40/30/20W | <b>6</b> Small Size | <b>7</b> Series 1 | <b>8</b> 80 CRI | <b>9</b> Color Select Technology | <b>10</b> Color Select 3000/4000/5000K | <b>11</b> 0-10V Dimming | <b>12</b> Housing Color   |   |       |
|                                |                               |                         |                      |                                 |                     |                   |                 |                                  |  |                         | <table border="1" style="margin-left: auto; margin-right: auto;"> <tr> <td style="width: 50px;">W</td> <td style="width: 50px;">White</td> </tr> </table> | W | White |
| W                              | White                         |                         |                      |                                 |                     |                   |                 |                                  |  |                         |   |   |       |

### ORDERING EXAMPLES

FIXTURE WITH MULTIPLE FACTORY-INSTALLED ACCESSORIES\*

**KT-CLED40PS-S1-8CSB-VDIM-W/FC4/L110**

FIXTURE WITH SINGLE FACTORY-INSTALLED ACCESSORY

**KT-CLED40PS-S1-8CSB-VDIM-W/FC4**

FIXTURE WITH NO FACTORY-INSTALLED ACCESSORIES

**KT-CLED40PS-S1-8CSB-VDIM-W**

\*When ordering more than one factory-installed accessory, use multiple suffixes as shown in the ordering examples above.  
 Note: All accessories can also be ordered separately for field installation using just their regular Catalog Number, UPC, or Easy Code.

| KEYSTONE FIXTURE                    |        |
|-------------------------------------|--------|
| CATALOG NUMBER                      |        |
| KT-CLED40PS-S1-8CSB-VDIM-W          |        |
| SENSORS / CONTROLLERS               |        |
| <input checked="" type="checkbox"/> | SUFFIX |
| <input checked="" type="checkbox"/> | /FC4   |
| CATALOG NUMBER                      |        |
| KTSL-FC4-12V-PKO                    |        |
| LENSES                              |        |
| <input checked="" type="checkbox"/> | SUFFIX |
| <input checked="" type="checkbox"/> | /L110  |
| CATALOG NUMBER                      |        |
| KT-CLED-LENS-S1-110-KIT             |        |