



KT-WLED33-4-8XX-VDIM /G2 LED WRAP FIXTURE

INSTALLATION INSTRUCTIONS

PLEASE FIND A QUALIFIED ELECTRICIAN FOR INSTALLATION. Please read the instructions before installation and use.

WARNING

- To reduce the risk of death, personal injury or property damage from fire, electric shock, falling parts, cuts/abrasions, and other hazards read all warnings and instructions included with and on the fixture box and all fixture labels.
- Before installing, servicing, or performing routine maintenance upon this equipment, follow these general precautions.
- Commercial installation, service and maintenance of luminaires should be performed by a qualified licensed electrician.
- For the installation: If you are unsure about the installation or maintenance of the luminaires, consult a qualified licensed electrician and check your local electrical code.
- To prevent wiring damage or abrasion, do not expose wiring to edges of sheet metal or other sharp objects.
- Do not make or alter any open holes in an enclosure of wiring or electrical components during kit installation.

WARNING

- Turn off electrical power at fuse or circuit breaker box before wiring fixture to the power supply.
- Turn off the power when you perform any maintenance.
- Verify that supply voltage is correct by comparing it with the luminance label information.
- All wiring connections should be capped with UL approved wire connectors.

CAUTION

- Avoid direct eye exposure to the light source while it is on.
- Account for small parts and destroy packing material, as these may be hazardous to children.
- Risk of burn. Disconnect power and allow fixture to cool before changing bulb or handing fixture.

NOTICE: Green ground screw provided in proper location. Do not relocate.

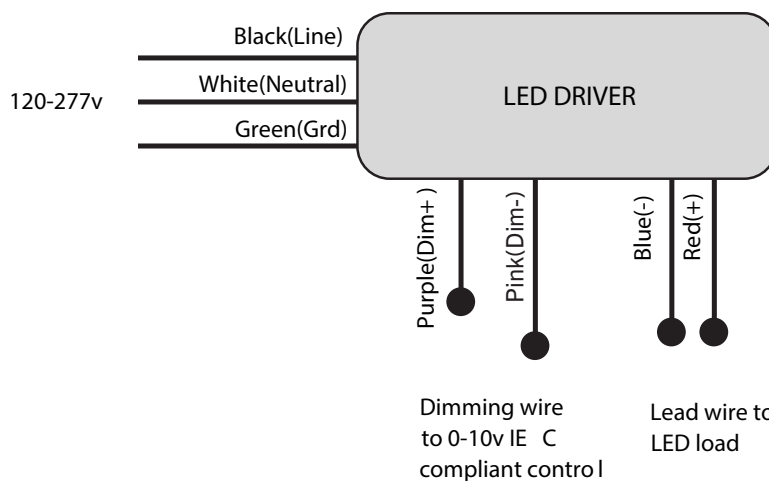
NOTICE: Minimum 90° supply conductors.

NOTICE: Specifications and dimensions subject to change without notice.

NOTICE: Suitable for Dry or Damp location.

GENERAL SETUP INSTRUCTIONS

WIRING DIAGRAM



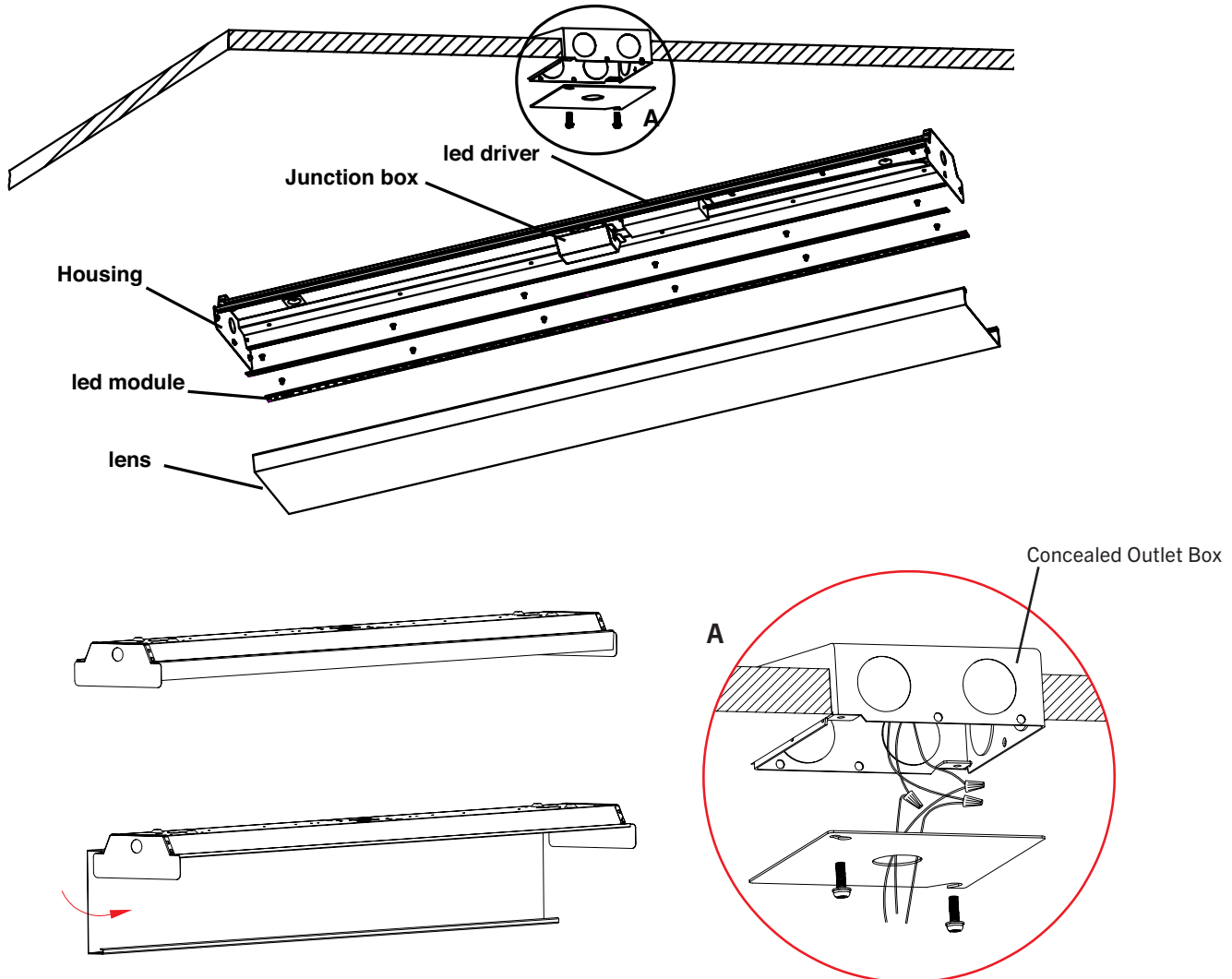
**In accordance with NEC-20 410.69 2022, all 0-10V negative wires have been updated from gray to pink. Please contact Keystone for details.*

KT-WLED33-4-8XX-VDIM /G2 LED WRAP FIXTURE

GENERAL SETUP INSTRUCTIONS (continued)

Before installation, ensure that power supply is disconnected. Installation should be done in accordance with local and national codes.

1. Remove product from packaging
2. Remove lens by pulling from one side of the fixture and hinge on the other.
3. For mounting, using the provided mounting holes on each end of the fixture housing, mount per the required application (surface or suspended) using appropriate mounting hardware (not included).
4. Make electrical connections within metal box according to code.
5. Install lens on one side of the fixture and rotate to engage the opposite end



SAVE THESE INSTRUCTIONS