

KTLD-4LT8-UV-8C-VDIM /G2

CONSTANT CURRENT LED DRIVER FOR TYPE C T8 LAMPS

DESCRIPTION

Constant Current Output | 120-277V Input | 0-10V Dimming



RoHS
Compliant



10 YEAR
LIMITED WARRANTY

DRIVER TYPE: Constant Current
MAX. OUTPUT POWER: 33.3W
INPUT VOLTAGE: 120-277Vac ±10%
OUTPUT VOLTAGE: 36~45 Vdc
OUTPUT CURRENT: 185mA x 4 channels
WARRANTY: 10 Years



PRODUCT FEATURES

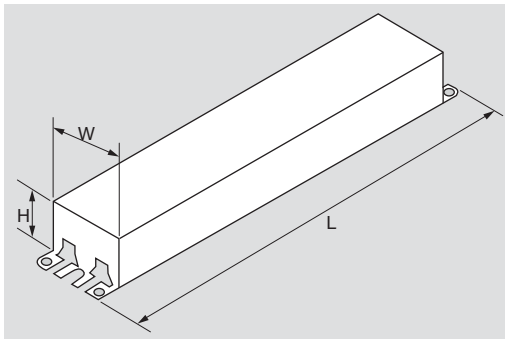
- Compatible with Keystone External Drive T8 LED Lamps
- Meets FCC Part 15 (Class B) Consumer Limits
- Short Circuit Overload and Open Load Protection
- Type 1 Outdoor, Suitable for Dry and Damp Locations
- UL8750 Recognized Component
- Dimmable with 0-10V dimmer, minimum dim 10%
- Operating Temperature: -20°C/-4°F to 45°C/113°F
- 85°C/185°F Maximum Case Temperature
- Input Frequency: 50/60 Hz
- THD: < 20%
- 70,000 hour lifetime

ELECTRICAL SPECIFICATIONS

INPUT CHARACTERISTICS				OUTPUT CHARACTERISTICS			FEATURES
Input Voltage	Input Power	Power Factor	Max. Current	Max. Output Power	Rated Output Current	Output Voltage	Efficiency
120-277Vac	40.8W	>0.9	0.34A @ 120V	33.3W	185mA x 4 Channels	36-45Vdc	88%

MECHANICAL SPECIFICATIONS

CASE DIMENSIONS



LENGTH (L)	9.50"
WIDTH (W)	1.80"
HEIGHT (H)	1.30"

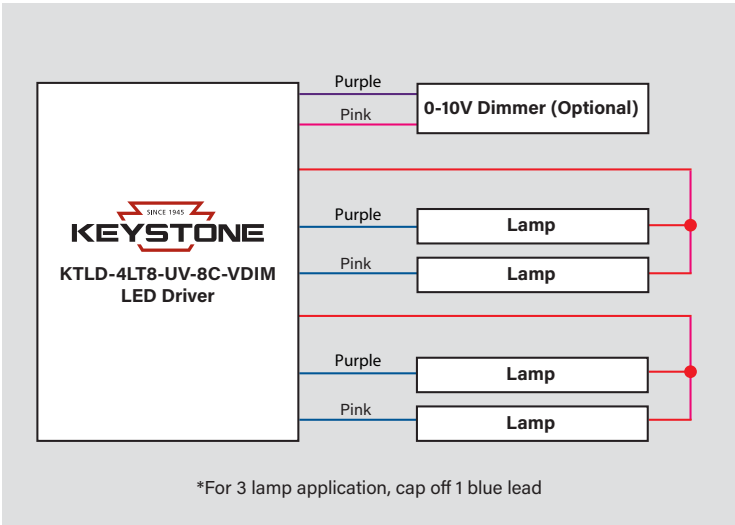
*TC Point (85°C) is noted on each driver label



KTLD-4LT8-UV-8C-VDIM /G2

CONSTANT CURRENT LED DRIVER FOR TYPE C T8 LAMPS

WIRING



STANDARD LEAD LENGTHS*

Input	Black	30.00"
	White	30.00"
Output	Red	30.00"
	Blue	30.00"
Dimming	Purple	30.00"
	Pink	30.00"

Lead wires are 18 AWG 105° C/600V.

*Consult Keystone for special lead length requirements.

ORDERING INFORMATION

ORDER CODE	PACKAGING STYLE	UPC	EASY CODE
KTLD-4LT8-UV-8C-VDIM-CP /G2	Carton Pack	843654141046	AXJ-07

CATALOG NUMBER BREAKDOWN

KTLD-4LT8-UV-8C-VDIM-CP /G2

- 1
- 2
- 3
- 4
- 5
- 6
- 7
- 8

- 1** Keystone Technologies LED Driver
- 2** Number of Lamps
- 3** Lamp Type
- 4** 120-277V Input
- 5** Lamp Wattage
- 6** 0-10V Dimming
- 7** Packaging Style
- 8** Generation 2