

**KT-LED11.5PAR38-F-9XX /G2**  
 90W REPLACEMENT LAMP

**DESCRIPTION**

11.5W PAR38 Lamp | 2700–5000K | > 90 CRI |  
 Standard Flood



|  |
|--|
| <b>LAMP TYPE:</b> PAR38                |
| <b>BASE TYPE:</b> E26 (Medium)         |
| <b>WATTAGE:</b> 11.5W                  |
| <b>COLOR TEMPERATURE:</b> 2700–5000K   |
| <b>COLOR RENDERING INDEX (CRI):</b> 90 |
| <b>WARRANTY:</b> 3 Years               |
| <b>RATED LIFE:</b> L70 (25,000 Hours)  |



**TYPICAL APPLICATIONS**

- Track-lighting
- Display
- Flood- and spot-lighting
- Outdoor fixtures

**PRODUCT FEATURES**

- Energy efficient, 80%+ energy savings over legacy equivalents
- Lower heat generation than legacy equivalents
- Smooth, uniform dimming
- HiCRI LEDs offer enhanced color rendering vs. 80 CRI LEDs, providing ideal clarity, representation, uniformity of illuminated area/objects
- Precision-crafted, full-face optics for precise beam angle control
- Durable plastic housing lowers the risk for breakage
- Long life minimizes replacement and maintenance costs
- Rated for use in wet locations
- Operating temperature range: –4°F/–20°C to 113°F/45°C
- PF: 0.90
- Rated for open, recessed, and enclosed fixtures
- ANSI compliant construction ensures fitment for intended applications
- ETL Listed
- Meets Energy Star requirements
- Complies with Part 15 of FCC

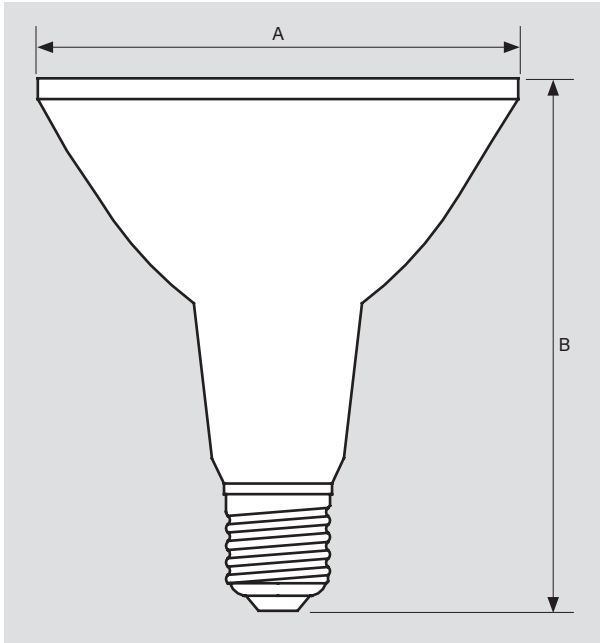
**PRODUCT SPECIFICATIONS**

| Keystone Catalog Number   | Legacy Equivalent | Rated Lamp Wattage | CCT   | Lumens | CRI | Efficacy | Beam Angle | Base Type | Dimmable |
|---------------------------|-------------------|--------------------|-------|--------|-----|----------|------------|-----------|----------|
| KT-LED11.5PAR38-F-927 /G2 | 90W halogen       | 11.5W              | 2700K | 1000   | 90  | 87 lm/W  | 40°        | E26       | Yes      |
| KT-LED11.5PAR38-F-930 /G2 | 90W halogen       | 11.5W              | 3000K | 1000   | 90  | 87 lm/W  | 40°        | E26       | Yes      |
| KT-LED11.5PAR38-F-940 /G2 | 90W halogen       | 11.5W              | 4000K | 1000   | 90  | 87 lm/W  | 40°        | E26       | Yes      |
| KT-LED11.5PAR38-F-950 /G2 | 90W halogen       | 11.5W              | 5000K | 1000   | 90  | 87 lm/W  | 40°        | E26       | Yes      |

# KT-LED11.5PAR38-F-9XX / G2

## REPLACEMENT LAMP

### PHYSICAL SPECIFICATIONS



### LAMP DIMENSIONS

|              |       |
|--------------|-------|
| A (Diameter) | 4.72" |
| B (Length)   | 5.24" |

BASE TYPE: E26 (Medium)

### PACKAGING

|                   |                          |
|-------------------|--------------------------|
| Carton Quantity   | 24 pcs                   |
| Carton Dimensions | 19.69" × 14.88" × 11.50" |
| Carton Weight     | 9.36 lbs                 |

### ORDERING INFORMATION

| CATALOG NUMBER             | UPC          | EASY CODE | ENERGY STAR UNIQUE ID |
|----------------------------|--------------|-----------|-----------------------|
| KT-LED11.5PAR38-F-927 / G2 | 843654151212 | SBE-74    | 2545265               |
| KT-LED11.5PAR38-F-930 / G2 | 843654151229 | LZO-55    | 2545266               |
| KT-LED11.5PAR38-F-940 / G2 | 843654151236 | ISK-56    | 2545267               |
| KT-LED11.5PAR38-F-950 / G2 | 843654151243 | FLW-77    | 2545268               |

### CATALOG NUMBER BREAKDOWN

# KT-LED11.5PAR38-F-9XX / G2

1 2 3 4 5 6 7 8 9

- 1 Keystone Technologies
- 2 LED Lamp
- 3 Wattage
- 4 Parabolic Aluminized Reflector
- 5 Lamp Diameter (38/8")
- 6 Standard Flood Lamp
- 7 90CRI
- 8 CCT
- 9 Generation 2