



DIRECT DRIVE LED

LINE VOLTAGE T8 TUBES

KT-LED10.5T8-48GC-835-D

T8 LED LAMP

DESCRIPTION

10.5W T8 LED | 3500K | >83 CRI | High-Efficiency



10 YEAR
LIMITED WARRANTY

LAMP TYPE: Linear
BULB TYPE: T8 LED
BASE TYPE: G13 (Medium Bi-Pin)
WATTAGE: 10.5W
COLOR TEMPERATURE: 3500K
COLOR RENDERING INDEX (CRI): > 83
WARRANTY: 10 Years



PRODUCT FEATURES

- Replacement for conventional fluorescent lamp
- 50,000+ hour lifetime
- Approximately 40% more energy efficient than standard F32T8 lamps
- Environmentally friendly: No mercury used
- UL Classified
- Operating temperature: -20°C/ -4°F to 45°C/113°F
- Integral driver (isolated), eliminates the need for external driver or ballast
- 100+ Lumens per Watt
- Instant startup
- Frosted lens eliminates pixelation
- Improved lamp durability with shatterproof coated glass, designed to pass drop tests of 6' on hard surface
- NSF listed: NSF/ANSI Standard 2 - Food Equipment, Splash zone (not for direct food zone without additional fixture considerations)
- Lamp is dimmable when used with an appropriate dimming accessory (purchased separately). Contact Keystone for more details to find out what is best for the intended application

OPERATING SPECIFICATIONS

ELECTRICAL CHARACTERISTICS

Input Voltage	Power Consumption	Power Factor	Input Current
120-277Vac	10.5W	>0.9	0.094A @ 120V 0.040A @ 277V

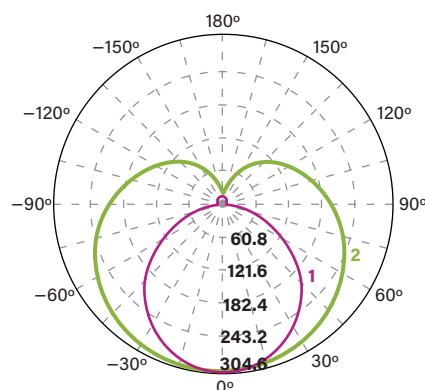
PHOTOMETRIC CHARACTERISTICS

Color Temperature (CCT)	3500K
Luminous Flux	1700 lm
Color Rendering Index (CRI)	>83
Efficacy	156 lm/W
Beam Angle	240°
Visible Light Area	325°

RATED LIFE

L70 (Hours)	50,000
-------------	--------

POLAR CANDELA DISTRIBUTION



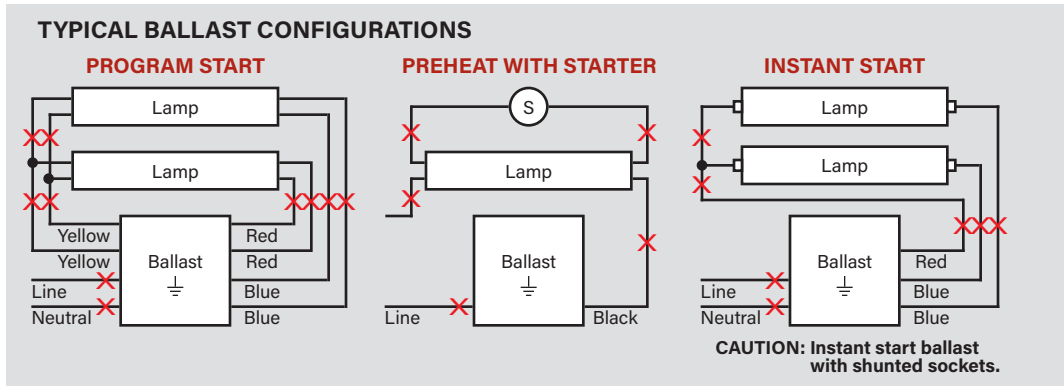
Maximum Candela = 1248.55
Located at
Horizontal Angle = 0, **Vertical Angle** = 0

- 1 Violet** Vertical Plane through Horizontal Angles (90-270)
2 Green Vertical Plane through Horizontal Angles (0-180)

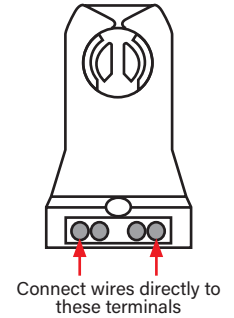
KT-LED10.5T8-48GC-835-D
T8 LED LAMP

WIRING DIAGRAMS

1. Cut all existing connections to ballast as shown below and remove ballast.



TYPICAL NON-SHUNTED LAMPHOLDER



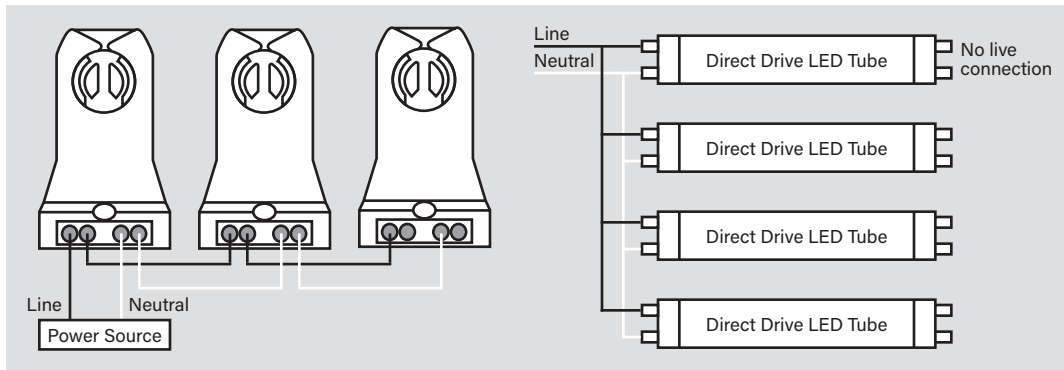
CAUTION: USE ONLY NON-SHUNTED LAMPHOLDERS.

Do not install product in a fixture with shunted lampholders (found in all fixtures using instant start ballasts). If the current lampholders are shunted, remove them and replace them with non-shunted lampholders. Make new connections directly to terminals as indicated above.

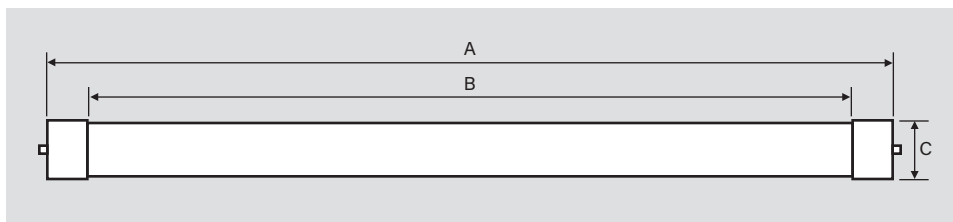
Keystone can provide any style replacement lampholders.

Call us at 800-464-2680.

2. Re-wire fixture as shown below.



PHYSICAL CHARACTERISTICS



LAMP DIMENSIONS

A (Illuminated Length)	44.38"
B (Body Length)	47.15"
C (Diameter)	1.10"

NOMINAL LENGTH: 48"

BASE TYPE: G13 (Medium Bi-Pin)



KT-LED10.5T8-48GC-835-D

T8 LED LAMP

ORDERING INFORMATION

ORDER CODE	PACK QTY.	UPC	EASY CODE	DLC PRODUCT ID
KT-LED10.5T8-48GC-835-D-CP	25	TBD	TBD	PLBUSHMT223D

CATALOG NUMBER BREAKDOWN

KT-LED10.5T8-48GC-835-D-CP

- 1
- 2
- 3
- 4
- 5
- 6
- 7
- 8
- 9
- 10

- 1** Keystone Technologies
- 2** LED Lamp
- 3** Wattage
- 4** Lamp Type
- 5** Nominal Length (Inches)
- 6** Shatterproof Coated Glass
- 7** 800 Series
- 8** Color Temperature
- 9** Direct-Drive Series
- 10** Packaging Style