

KT-LED13.5T8-48G-8XX-E /G2

T8 LED LAMP

DESCRIPTION

13.5W T8 LED Tube | Type C | 3500K-5000K |
 > 83 CRI | 0-10V Dimming



RoHS
Compliant

10 YEAR
LIMITED WARRANTY

LAMP TYPE: Linear
BULB TYPE: T8 LED
BASE TYPE: G13 (Medium Bi-Pin)
DIMMING TYPE: 0-10V
WATTAGE: 13.5W
LAMP INPUT VOLTAGE: 36-45Vdc
COLOR TEMPERATURE: 3500K-5000K
COLOR RENDERING INDEX (CRI): > 83



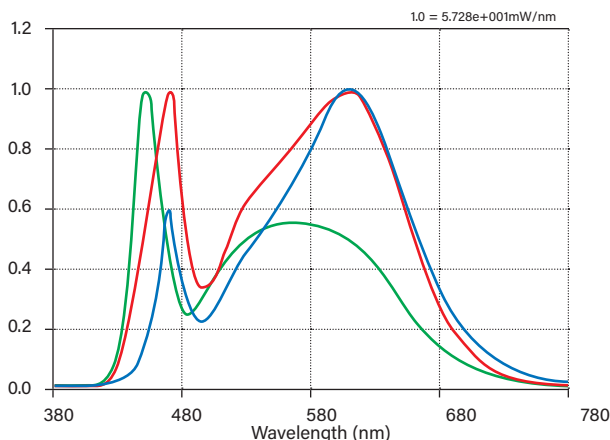
PRODUCT FEATURES

- Compatible with Keystone external drive LED drivers
- Replacement for conventional fluorescent lamps
- 70,000+ hour lifetime
- Type C application for custom installations and maximum efficiency
- Environmentally friendly: No mercury used
- Low Optical Flicker
- Instant startup
- Frosted glass eliminates pixelation
- UL Classified
- Operating temperature: -20°C/-4°F to 45°C/113°F
- 130+ lumens per watt
- DLC Listed

OPERATING SPECIFICATIONS

Catalog Number	Color Temp.	KTLD-2LT8-UV-13.5C-VDIM /G2						KTLD-4LT8-UV-13.5C-VDIM /G2						
		1 Lamp			2 Lamps			3 Lamps			4 Lamps			
		Nominal Input Power	Nominal Lumens	Nominal Efficacy	Nominal Input Power	Nominal Lumens	Nominal Efficacy	Nominal Input Power	Nominal Lumens	Nominal Efficacy	Nominal Input Power	Nominal Lumens	Nominal Efficacy	Power Factor
KT-LED13.5T8-48G-835-E /G2	3500K	15W	2,100	140 lm/W	30W	4,200	140 lm/W	45W	6,300	140 lm/W	60W	8,400	140 lm/W	>0.9
KT-LED13.5T8-48G-840-E /G2	4000K	15W	2,200	147 lm/W	30W	4,400	147 lm/W	45W	6,600	147 lm/W	60W	8,800	147 lm/W	>0.9
KT-LED13.5T8-48G-850-E /G2	5000K	15W	2,200	147 lm/W	30W	4,400	147 lm/W	45W	6,600	147 lm/W	60W	8,800	147 lm/W	>0.9

SPECTRAL DISTRIBUTION

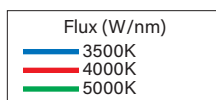


RATED LIFE

L70 (Hours) 70,000

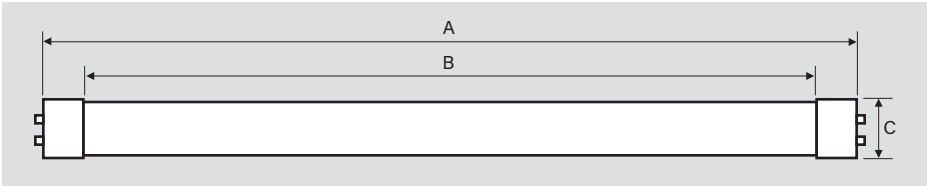
BEAM ANGLE: 240°

VISIBLE LIGHT AREA: 325°



KT-LED13.5T8-48G-8XX-E /G2
T8 LED LAMP

PHYSICAL CHARACTERISTICS

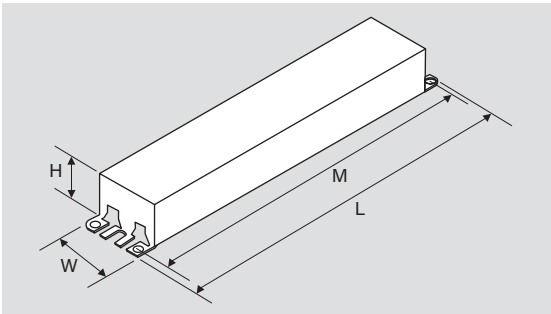


LAMP DIMENSIONS

A (Body Length)	47.19"
B (Illuminated Length)	46.19"
C (Diameter)	1.00"

NOMINAL LENGTH: 48"

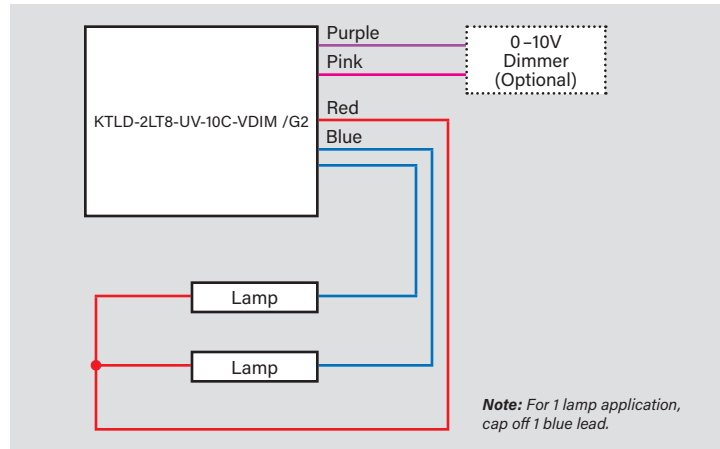
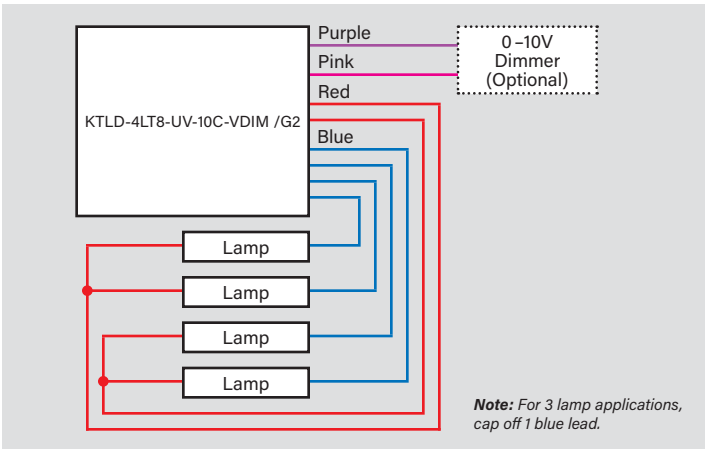
BASE TYPE: G13 (Medium Bi-Pin)



DRIVER DIMENSIONS

KTLD-2LT8-UV-13.5C-VDIM /G2		KTLD-4LT8-UV-13.5C-VDIM /G2	
Length (L)	9.50"	Length (L)	9.60"
Width (W)	1.30"	Width (W)	1.80"
Height (H)	1.10"	Height (H)	1.30"
Mounting (M)	8.90"	Mounting (M)	8.90"

WIRING DIAGRAMS





KT-LED13.5T8-48G-8XX-E /G2

T8 LED LAMP

ORDERING INFORMATION

Order Code	Pack Qty.	UPC	Easy Code
KT-LED13.5T8-48G-835-E /G2	25	843654140988	AMK-44
KT-LED13.5T8-48G-840-E /G2	25	843654140995	LSL-01
KT-LED13.5T8-48G-850-E /G2	25	843654141008	RYE-65

CATALOG NUMBER BREAKDOWN

KT-LED13.5T8-48G-8XX-E /G2

- 1
- 2
- 3
- 4
- 5
- 6
- 7
- 8
- 9
- 10

- 1** Keystone Technologies
- 2** LED Lamp
- 3** Wattage
- 4** Lamp Type
- 5** Normal Length (Inches)
- 6** Material
- 7** 80 CRI
- 8** Color Temp
- 9** External Drive Series
- 10** Generation 2